



General characteristics

E325

No. of poles	3 Form C (3PDT)
Volume	17 cm ³ [1 in ³]
Mass	82 grams [1.18 lb. Max]

Switching characteristics

Operate time @ 25° C	with DC	15 ms max.
	with AC	20 ms max.
Release time @ 25° C	with DC	15 ms max.
	with AC	50 ms max.
Bounce time @ 25° C	with DC	1 ms max.
	with AC	2 ms max.

Mechanical Life	400,000 cycles				
Contact rating	Type of load (High level)	Cycles x 10 ³	28 Vdc	115 Vac 400 Hz 1 phase	115/200 Vac 400 Hz 3 phase
	Resistive	50	25 amps	25 amps	25 amps
	Inductive	10	12 amps	n/a	n/a
	Inductive	20	n/a	15 amps	15 amps
	Motor	50	10 amps	10 amps	10 amps
	Lamp	50	5 amps	5 amps	5 amps
	Overload current	n/a	50 amps	80 amps	80 amps
	Rupture current	n/a	60 amps	100 amps	100 amps

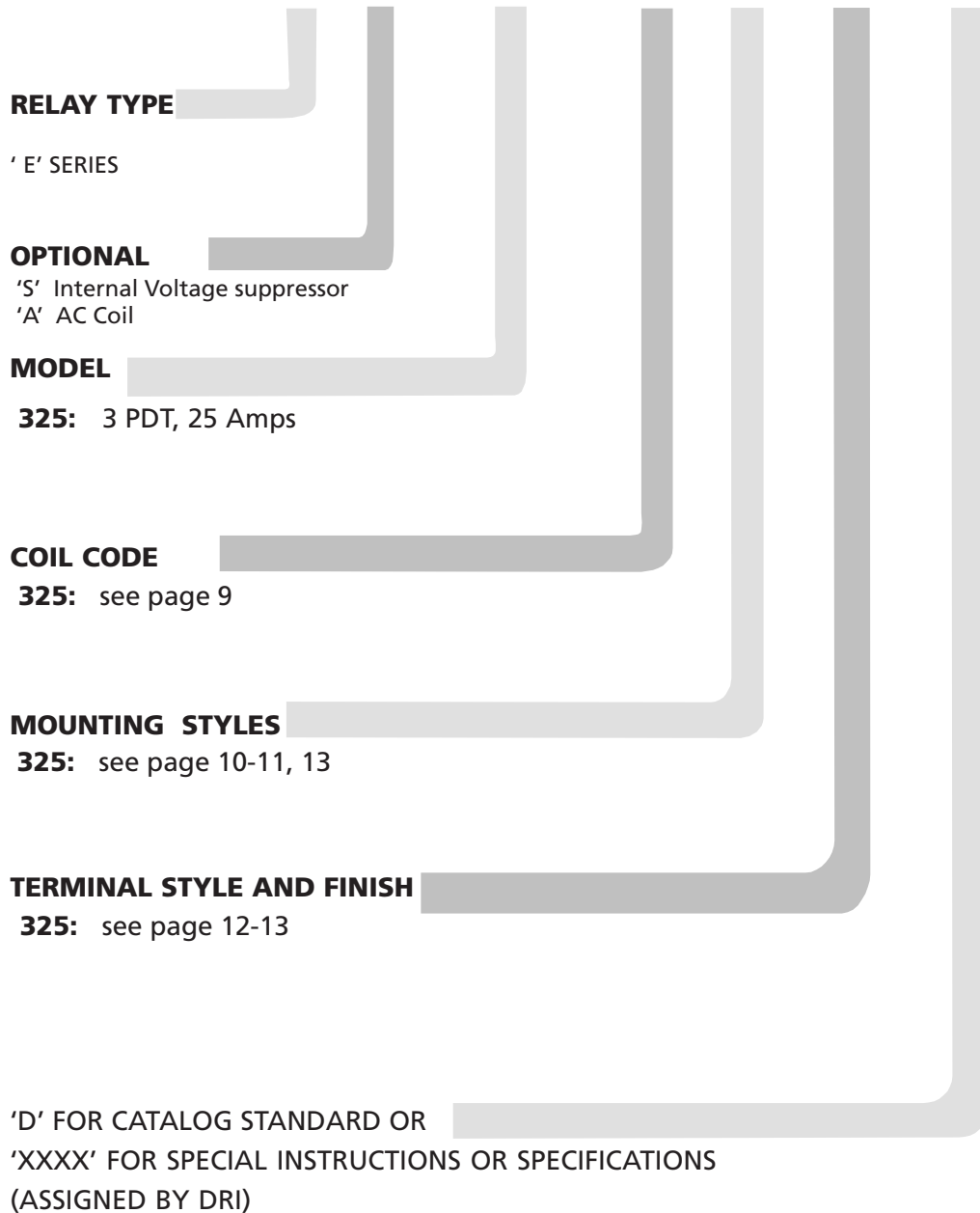
Environmental characteristics

Temperature Range	-70°C to +125°C
Vibration (Sinusoidal)	30 g 10-3000 Hz
- Mounting style 3	20 g 57-3000 Hz
Shock, any axis	200 g 6 ms
- Mounting style 3	100 g 6 ms
Seal	Hermetic (1 x 10 ⁻⁸ atm cm ³ /s)

Electrical characteristics

Contact voltage drop (@ Rated resistive load)	
- Initial	150 mV Max.
- After guaranteed life	175 mV Max.
Dielectric strength @ sea level	Coil to Case All other points
- Initial @ 60 Hz	1000 Vrms 1250 Vrms
- After life test @ 60 Hz	1000 Vrms 1000 Vrms
Insulation Resistance	
- Initial	100 Megohms min. @ 500 Vdc
- After life tests	50 Megohms min. @ 500 Vdc
Reference Military Specifications	MIL-PRF-83536
Mating Socket	MIL-PRF-12883

E S 325 E 2 B D

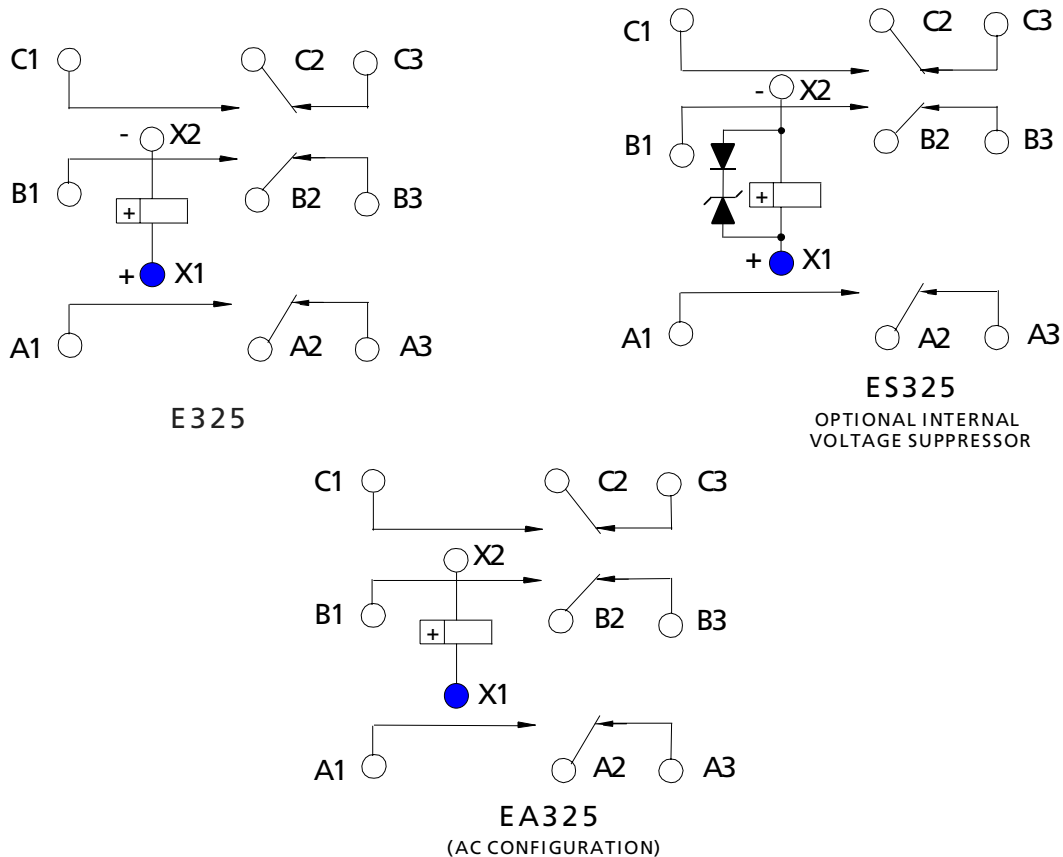


Coil characteristics

COIL CODE	DC						AC	
	A	B	D	E	G	J	L	N
Nominal coil voltage	6	12	26.5	28	48	110	115-400 Hz	115-50/60/400 Hz
Maximum pick-up voltage at 25°C	3,2	6,5	13,5	14	24	55	72	72
Maximum pick-up voltage at 125°C	4,5	9,0	18	18,7	36	70	90	90
Minimum drop-out voltage at -70° C	0,25	0,5	1,2	1,5	2	5	5	5
Coil resistance (ohms ± 10% at 25°C)	18	70	290	290	955	5000	-	-
Maximum coil transient suppression (where applicable) VDC	-42	-42	-42	-42	-100	-180	-	-

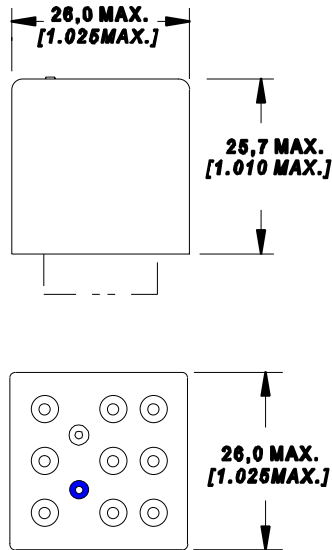
OTHER VOLTAGES AVAILABLE FROM FACTORY ON REQUEST

Circuit diagram

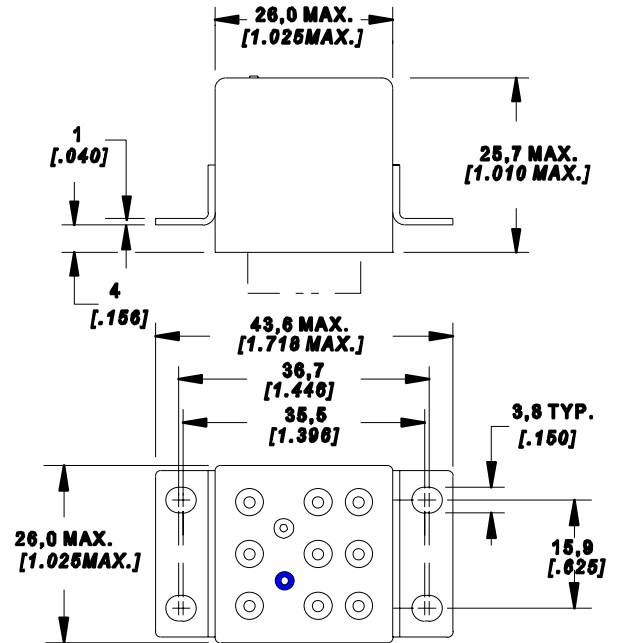


Mounting styles

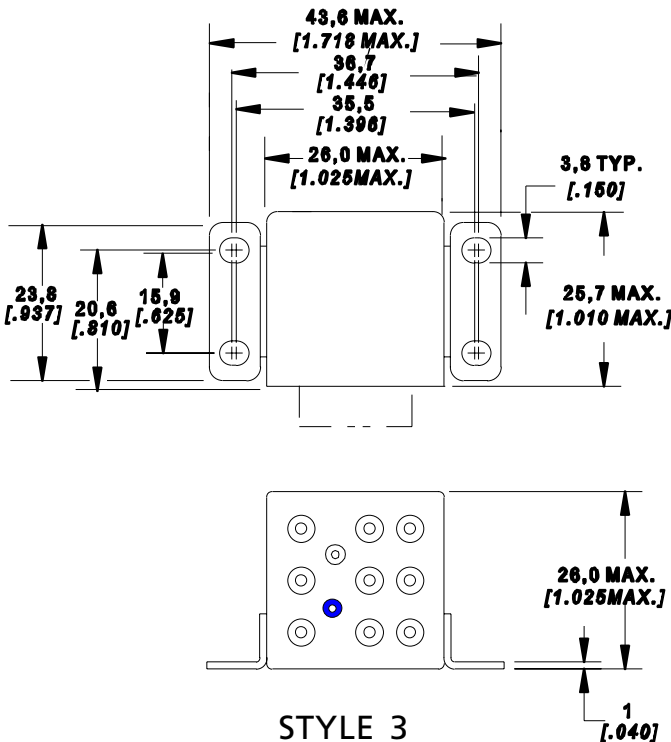
DIMENSIONS ARE IN MM (IN.)
UNLESS OTHERWISE SPECIFIED, TOLERANCE IS $\pm 0,25$ [.010]



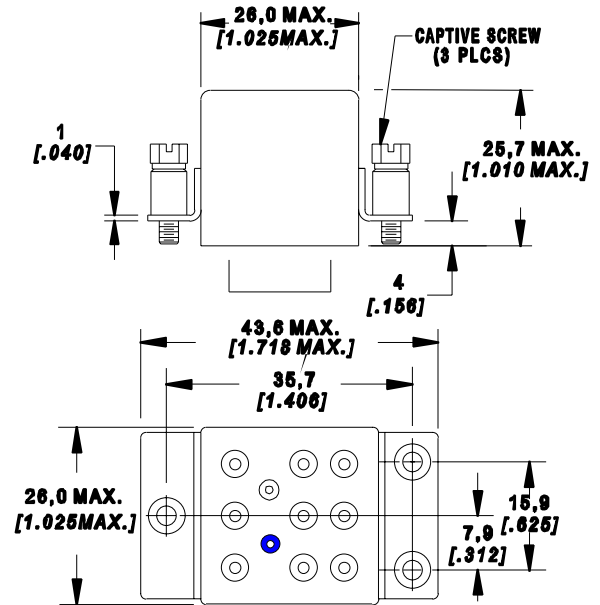
STYLE 1
NO MOUNT



STYLE 2
RAISED VERTICAL FLANGE MOUNT



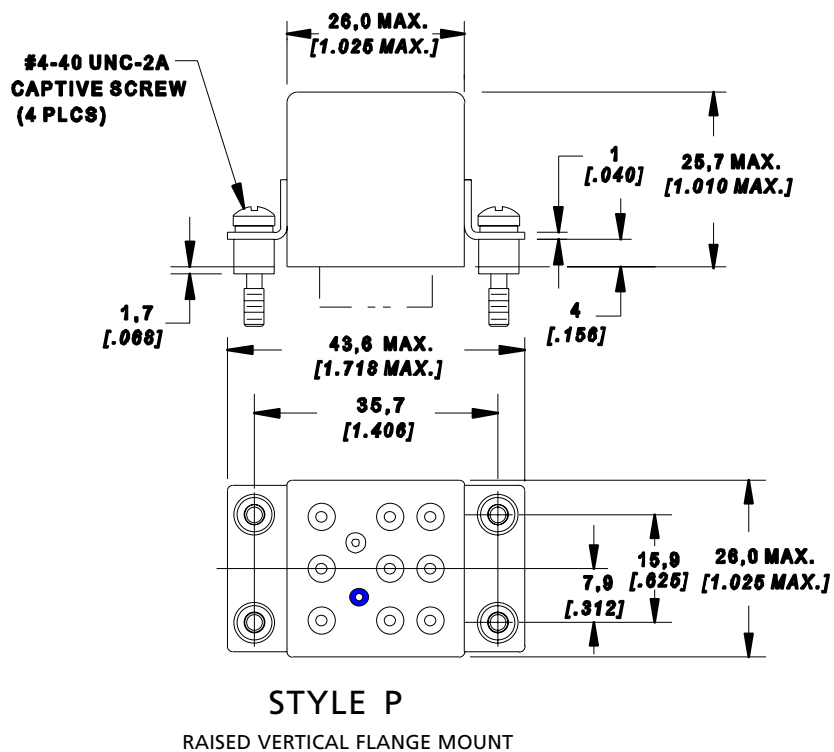
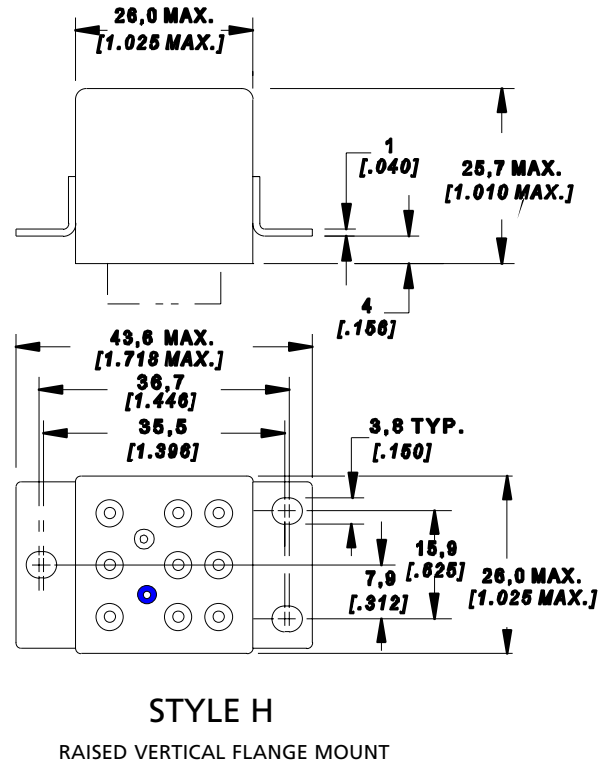
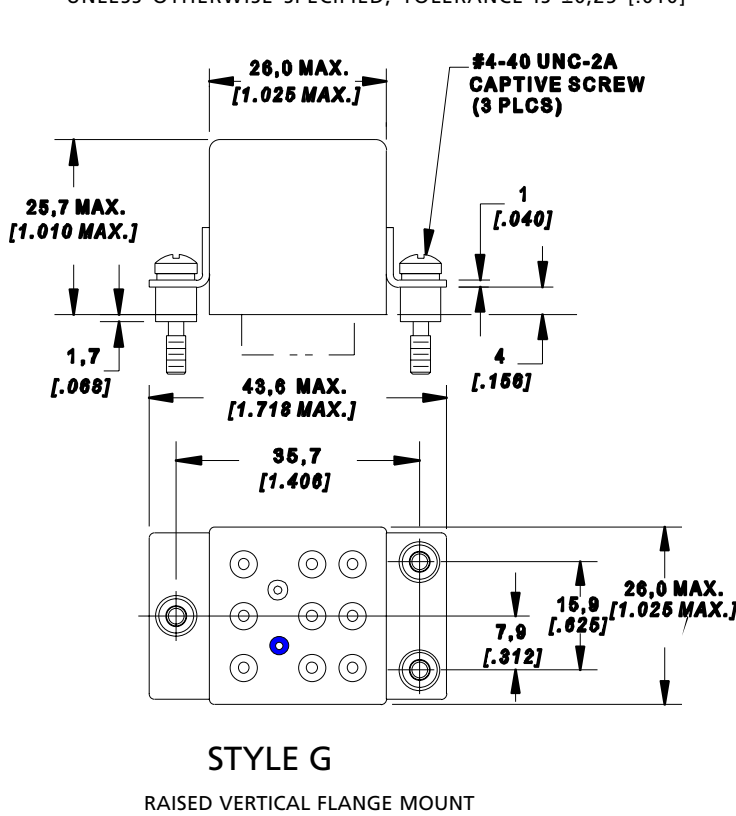
STYLE 3
HORIZONTAL FLANGE MOUNT



STYLE 8: M3 CAPTIVE SCREWS
STYLE C: #4-40 UNC CAPTIVE SCREWS
RAISED VERTICAL FLANGE MOUNT
WITH CAPTIVE HARDWARE

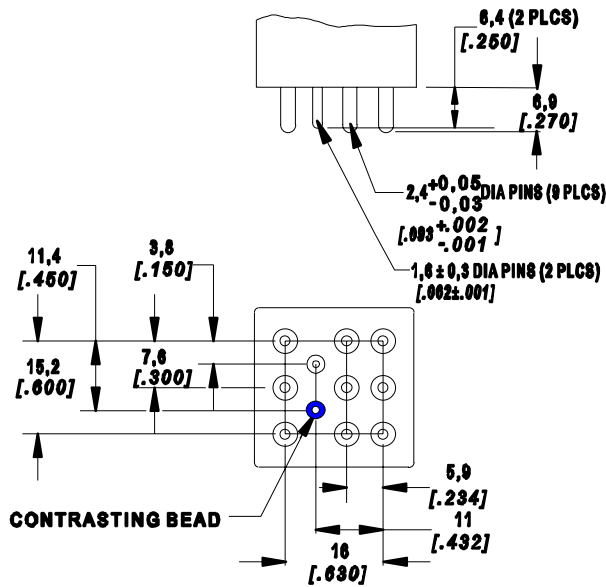
■ Mounting styles (cont.)

DIMENSIONS ARE IN MM (IN.)
UNLESS OTHERWISE SPECIFIED, TOLERANCE IS $\pm 0,25$ [.010]



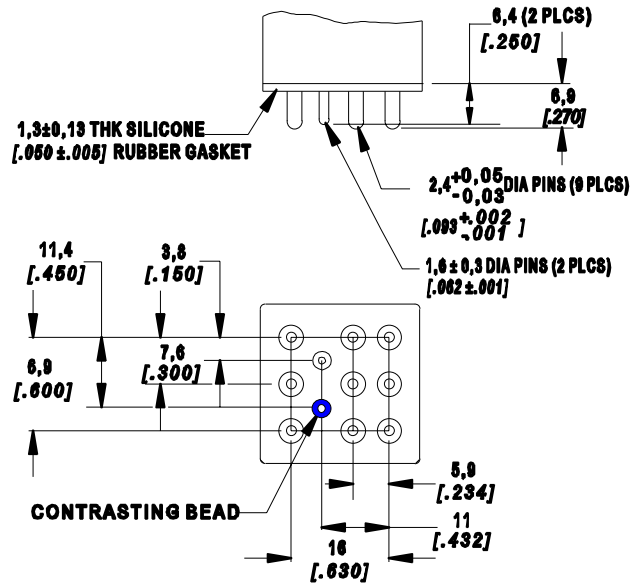
Termination styles

DIMENSIONS ARE IN MM (IN.)
UNLESS OTHERWISE SPECIFIED, TOLERANCE IS $\pm 0,25$ [.010]



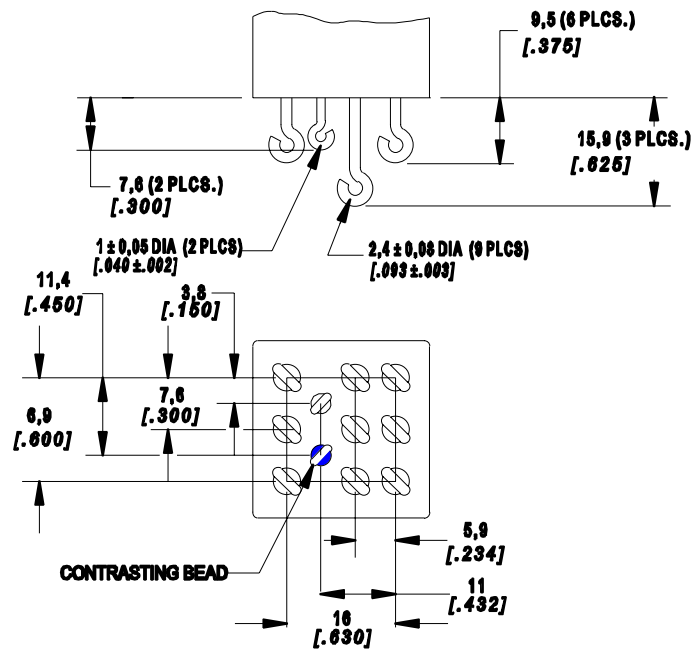
SOLDER PIN

- STYLE A: TIN PLATED
- STYLE B: SOLDER DIPPED



PLUG IN

- STYLE C: GOLD PLATED

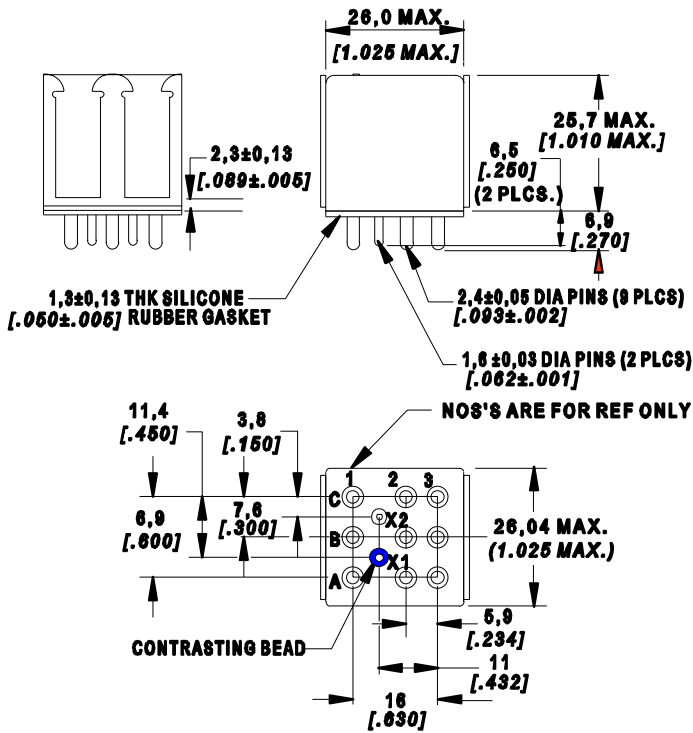


SOLDER HOOK

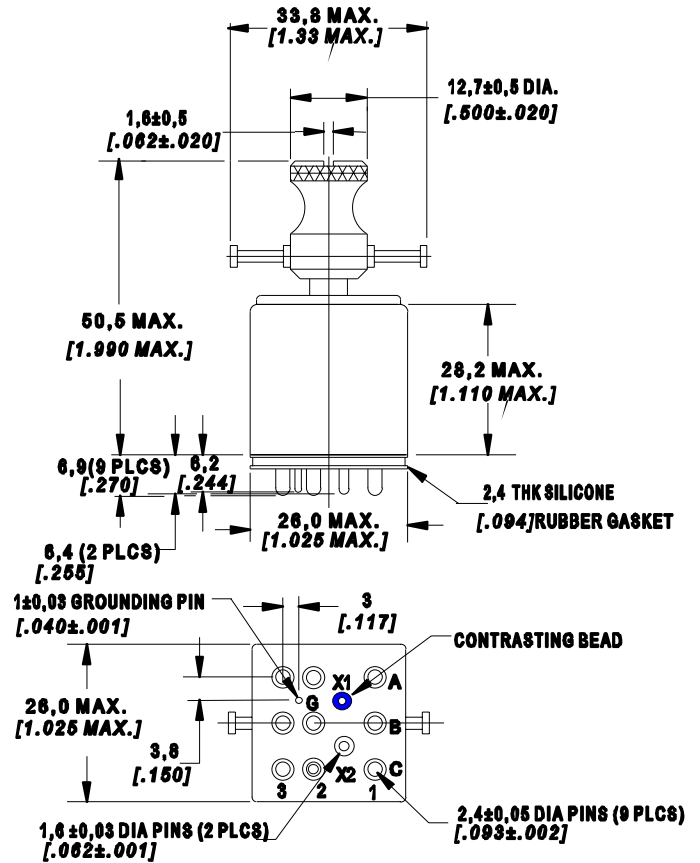
- STYLE H: TIN PLATED
- STYLE J: SOLDER DIPPED

E325 Track Mount Technical Characteristics

DIMENSIONS ARE IN MM (IN.)
UNLESS OTHERWISE SPECIFIED, TOLERANCE IS $\pm 0,25$ [.010]



TRACK MOUNT H
MOUNTING STYLE 6
TERMINAL STYLE C (GOLD PLATED)



GASKET NOT SHOWN IN THIS VIEW

TRACK MOUNT B
MOUNTING STYLE 5
TERMINAL STYLE C (GOLD PLATED)