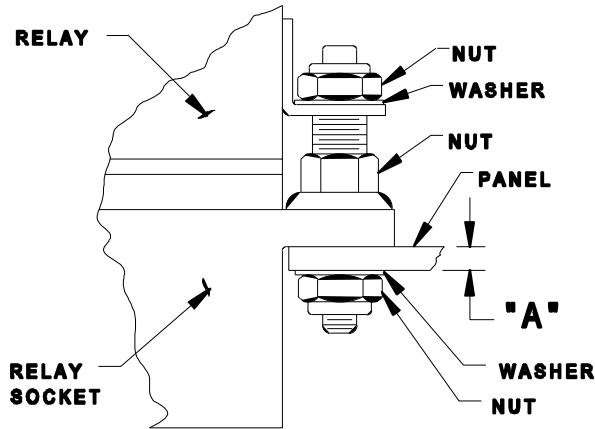


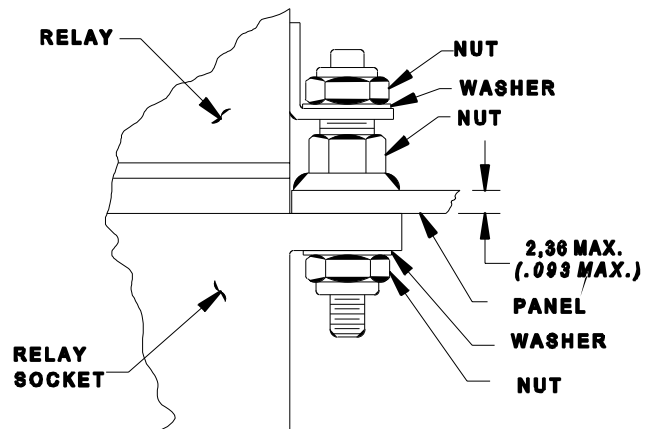
GENERAL FEATURES OF SE AND SME SOCKETS	
Contact Resistance	6 M Ohms
Dielectric Withstanding Voltage	1500 Vrms Max. @ Sea Level 500 Vrms @ 80,000 Feet
Insulation Resistance	1000 M Ohms Min.
Mounting Hardware	Cadmium Plated or Stainless Steel
Operating Temperature Range	-70° C to +125° C
Sealing Grommet	Silicone Rubber
Shock	200 g for 6ms
Socket Contact Material	Gold Plated Copper Alloy
Socket Contact Type	Closed Entry, Crimp Type Rear Entry, Rear Release
Vibration Performance	30 g for 10 to 3000 Hz

FIXED STUD

TOP PANEL MOUNT

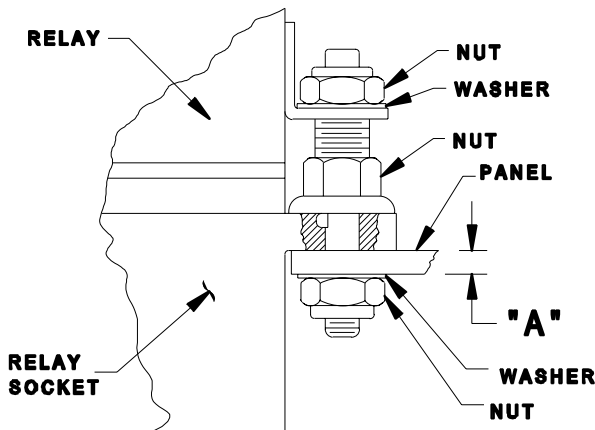


BOTTOM PANEL MOUNT

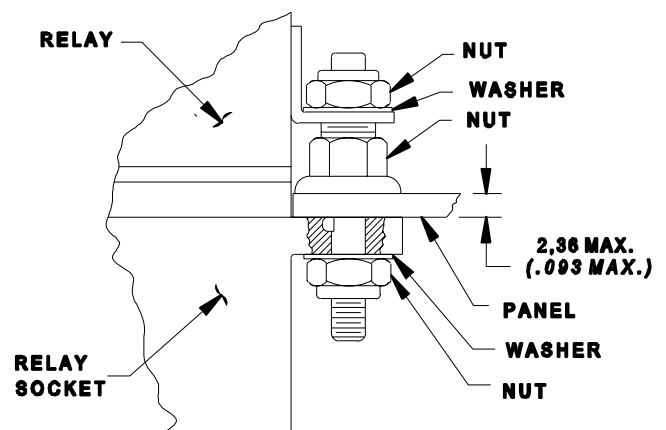


KEYED/LOOSE STUD

TOP PANEL MOUNT



BOTTOM PANEL MOUNT



"A" Dimension for SE 205, SE 405, and SE 310 is 2.36mm Max. (0.093")

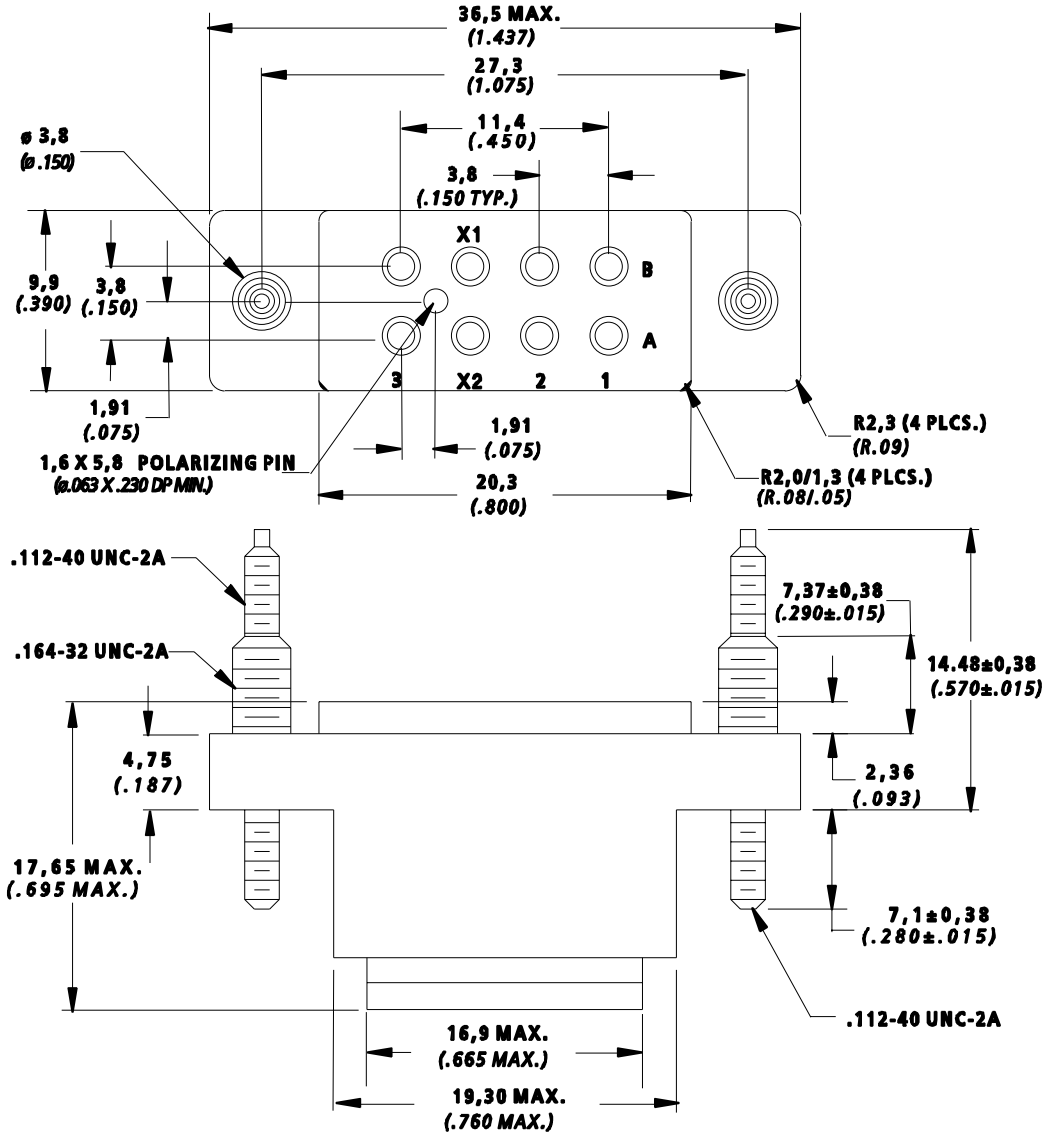
"A" Dimension for SE 210, SE 410, SE 610, SE 125, and SE 325 is 3.18mm Max (0.125")

SE Series SE205



For use with E205 and ES205 Relays with
Mounting Code 2 and Pin Code M

UNLESS OTHERWISE SPECIFIED,
TOLERANCE IS +/- 0.13mm (0.005") FOR
THREE PLACE DECIMALS, AND +/- 0.25mm
(0.01") FOR TWO PLACE DECIMALS



SE205-A01 XX XX

Mounting Hardware Option

Contact Size Option

- 01:** Top Mount Only
- 02:** Bottom Mount Only
- 03:** No Hardware
- 04:** Top and Bottom

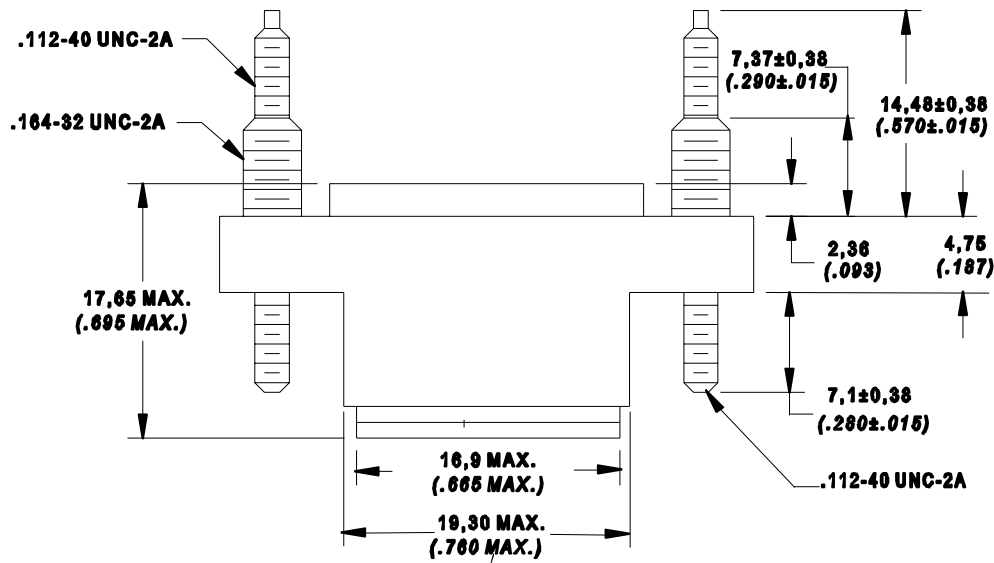
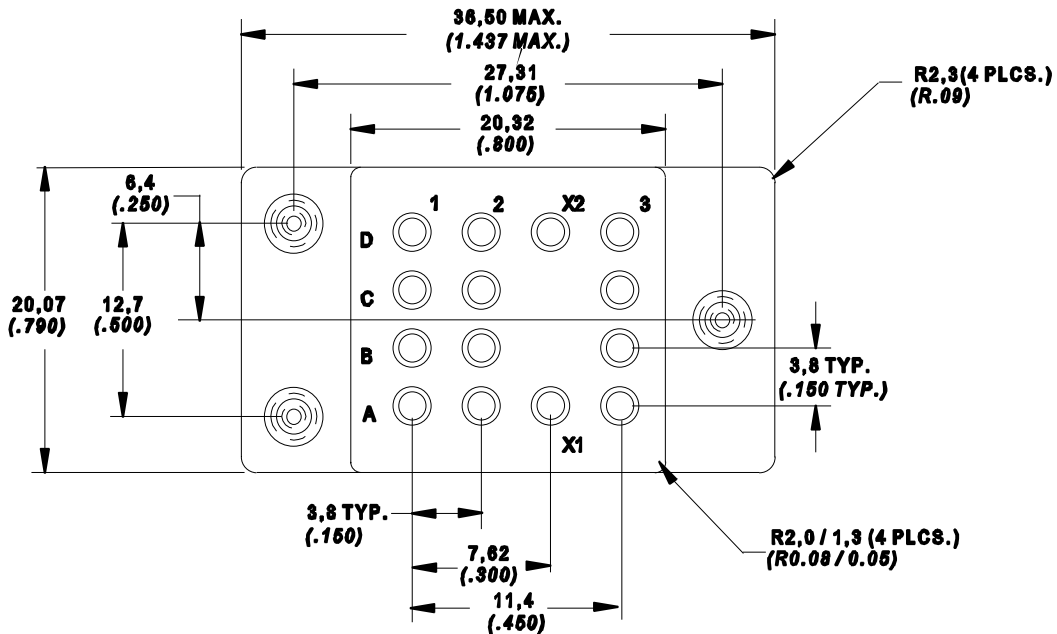
- 01:** Supplied with Socket Crimp Contacts for Size 20 AWG
- 02:** Supplied with Grommet Only for Standard Wire Size
- 03:** Supplied with Socket Crimp Contacts for Size 22 AWG
- 04:** Supplied with Grommet Only for Reduced Wire Size

SE Series SE405

For use with E405 and ES405 Relays with
Mounting Code 2 and Pin Code M



UNLESS OTHERWISE SPECIFIED,
TOLERANCE IS +/- 0.13mm (0.005") FOR
THREE PLACE DECIMALS, AND +/- 0.25mm
(0.01") FOR TWO PLACE DECIMALS



SE405-A01 XX XX

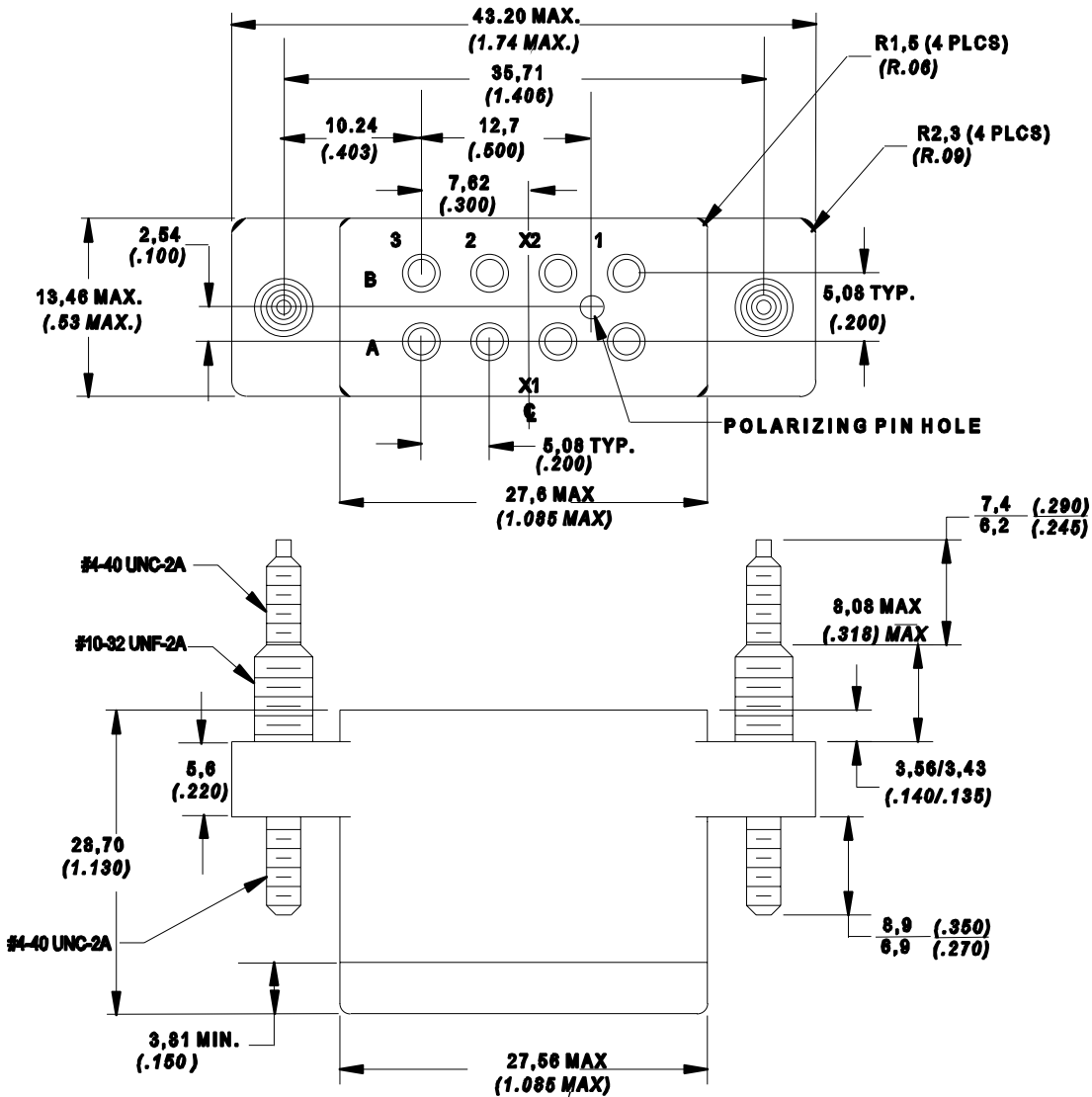
Mounting Hardware Option

- 01:** Top Mount Only
- 02:** Bottom Mount Only
- 03:** No Hardware
- 04:** Top and Bottom

Contact Size Option

- 01:** Supplied with Socket Crimp Contacts for Size 20 AWG
- 02:** Supplied with Grommet Only for Standard Wire Size

UNLESS OTHERWISE SPECIFIED,
TOLERANCE IS +/- 0.13mm (0.005") FOR
THREE PLACE DECIMALS, AND +/- 0.25mm
(0.01") FOR TWO PLACE DECIMALS



Mounting Stud Option

- 01:** Fixed Stud (Recommended)
- 02:** Keyed / Loose Stud

Contact Size Option

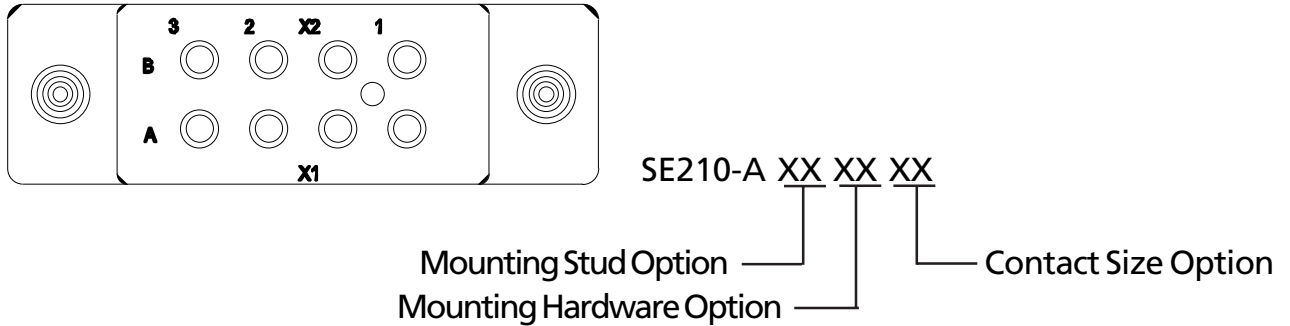
- 01:** Supplied with Socket Crimp Contacts for Size 16 AWG
- 02:** Supplied with Grommet Only for Standard Wire Size
- 03:** Supplied with Socket Crimp Contacts for Size 20 AWG
- 04:** Supplied with Grommet Only for Reduced Wire Size

Mounting Hardware Option

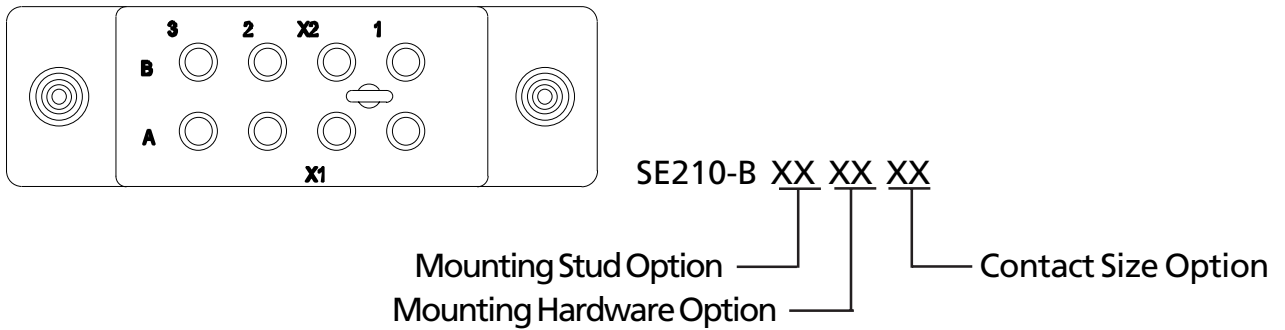
- 01:** Top Mount Only
- 02:** Bottom Mount Only
- 03:** No Hardware
- 04:** Top and Bottom

SE Series SE210

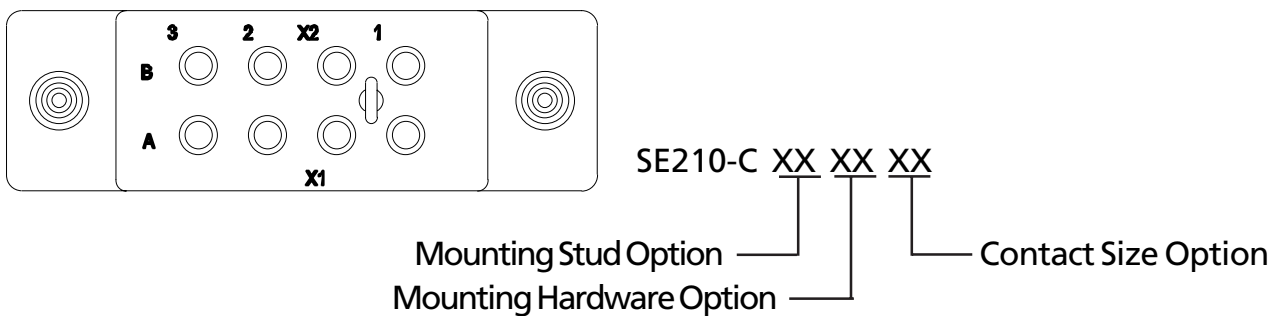
For use with E210, E215, ES210, ES215, ED1, EDS1, and EDA1
Relays with Mounting Code 2 and Pin Code M or C



For use with EA210 and EA215 Relays with
Mounting Code 2 and Pin Code G



For use with EA210 and EA215 Relays with
Mounting Code 2 and Pin Code F

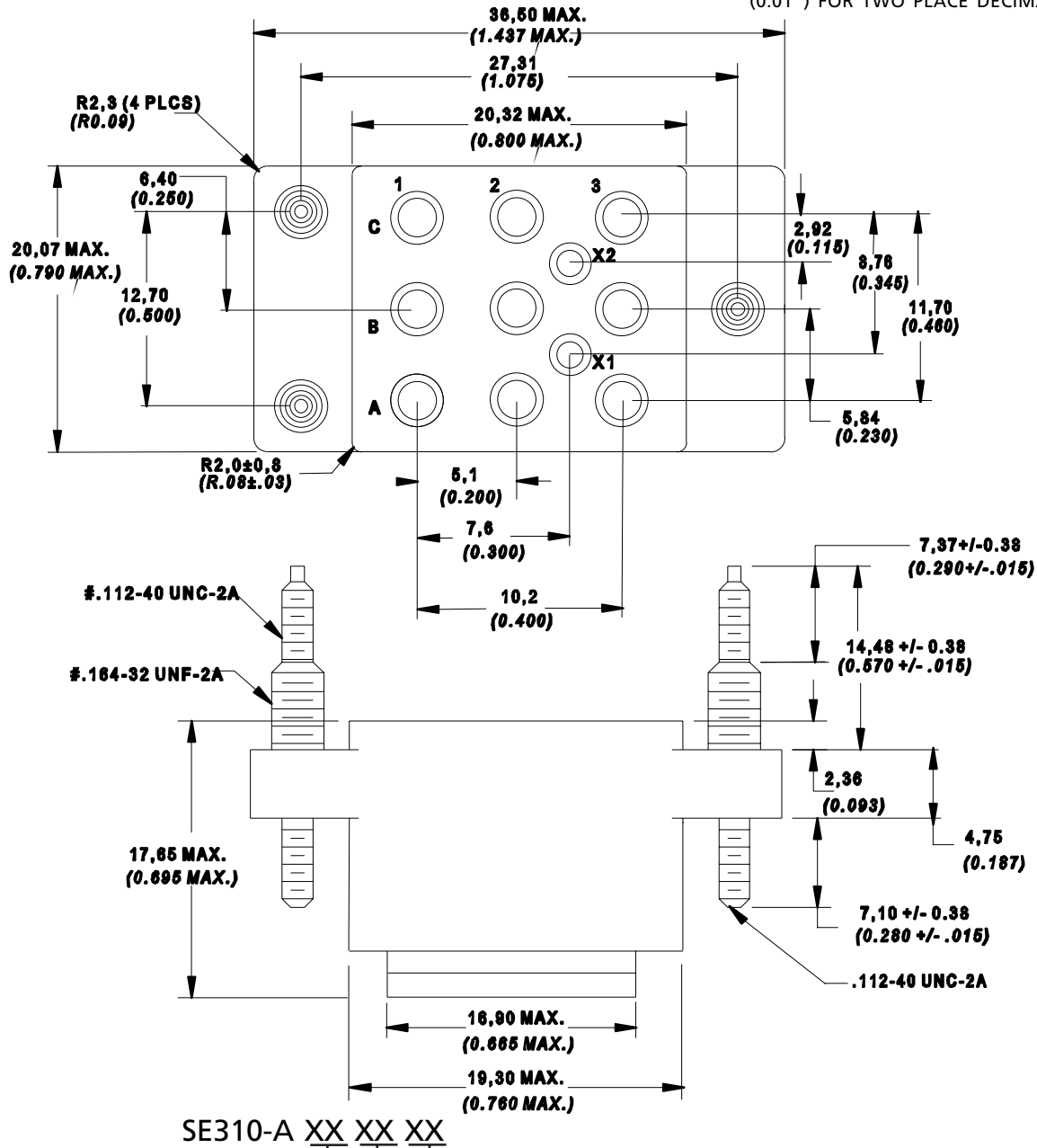


SE Series SE310



For use with E310 and ES310 Relays with
Mounting Code 2 and Pin Code M

UNLESS OTHERWISE SPECIFIED,
TOLERANCE IS +/- 0.13mm (0.005") FOR
THREE PLACE DECIMALS, AND +/- 0.25mm
(0.01") FOR TWO PLACE DECIMALS



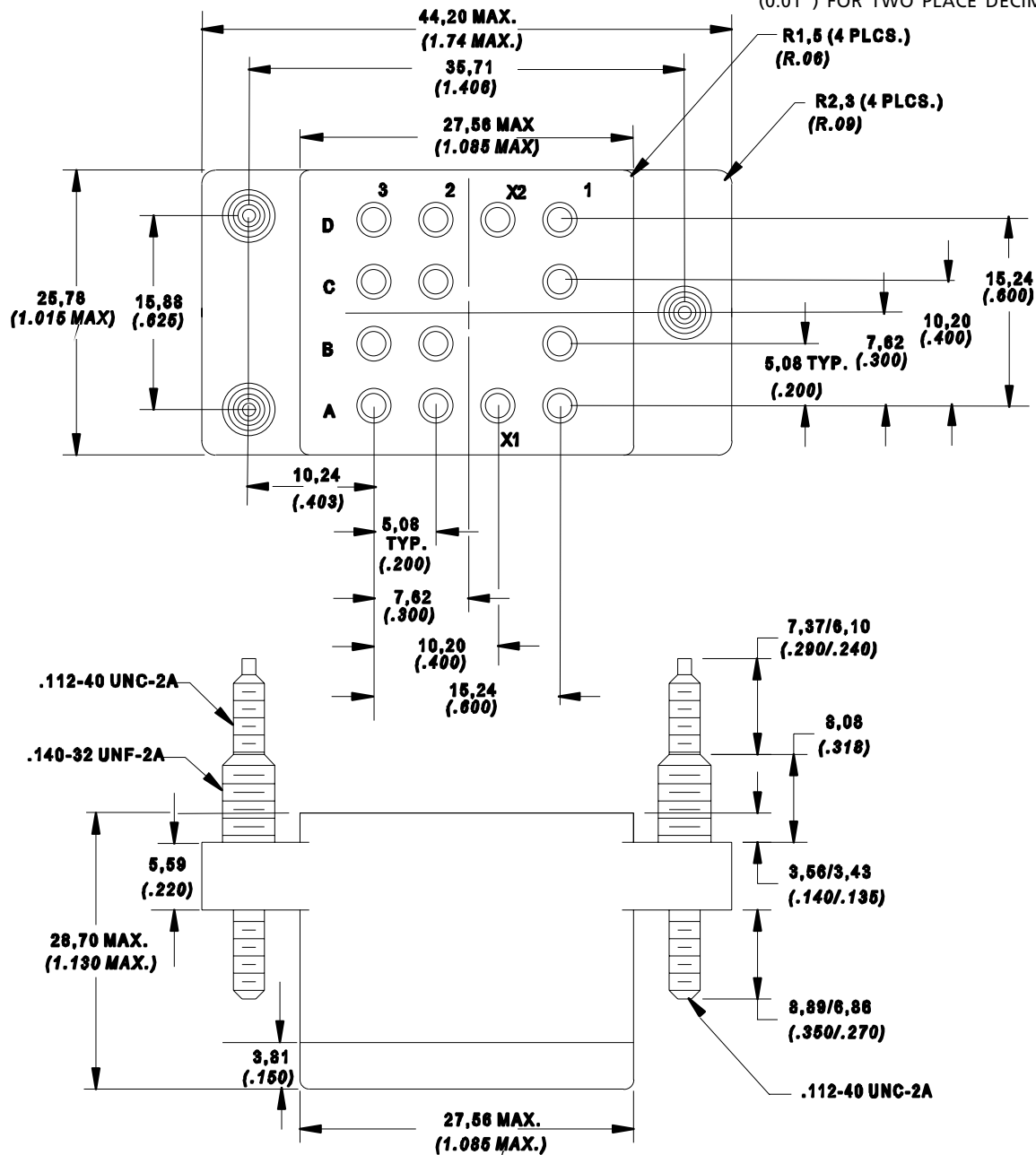
SE310-A XX XX XX

Mounting Stud Option
01: Fixed Stud (Recommended)
02: Keyed / Loose Stud

Contact Size Option
01: Supplied with Socket Crimp Contacts for Size 16 AWG
02: Supplied with Grommet Only for Standard Wire Size
03: Supplied with Socket Crimp Contacts for Size 20 AWG
04: Supplied with Grommet Only for Reduced Wire Size

Mounting Hardware Option
01: Top Mount Only
02: Bottom Mount Only
03: No Hardware
04: Top and Bottom

UNLESS OTHERWISE SPECIFIED,
TOLERANCE IS +/- 0.13mm (0.005") FOR
THREE PLACE DECIMALS, AND +/- 0.25mm
(0.01") FOR TWO PLACE DECIMALS



Mounting Stud Option

- 01:** Fixed Stud (Recommended)
- 02:** Keyed / Loose Stud

Contact Size Option

- 01:** Supplied with Socket Crimp Contacts for Size 16 AWG
- 02:** Supplied with Grommet Only for Standard Wire Size
- 03:** Supplied with Socket Crimp Contacts for Size 20 AWG
- 04:** Supplied with Grommet Only for Reduced Wire Size

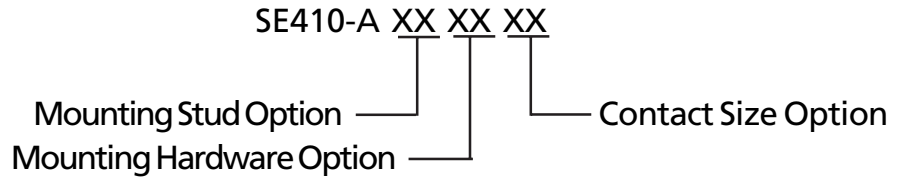
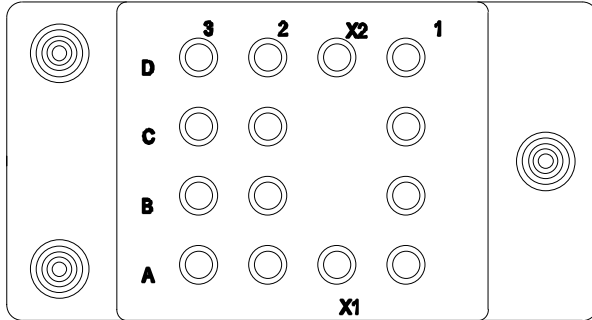
Mounting Hardware Option

- 01:** Top Mount Only
- 02:** Bottom Mount Only
- 03:** No Hardware
- 04:** Top and Bottom

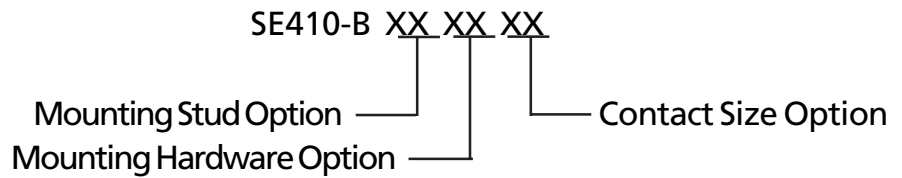
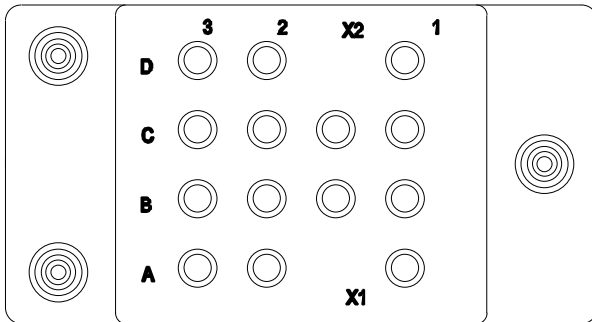
SE Series SE410



For use with E410, E415, ES410, ES415, ED2, and EDS2 Relays with Mounting Code 2 and Pin Code C

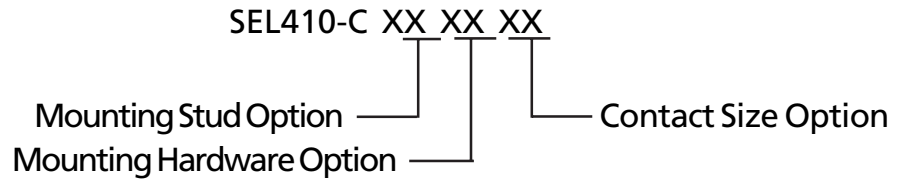
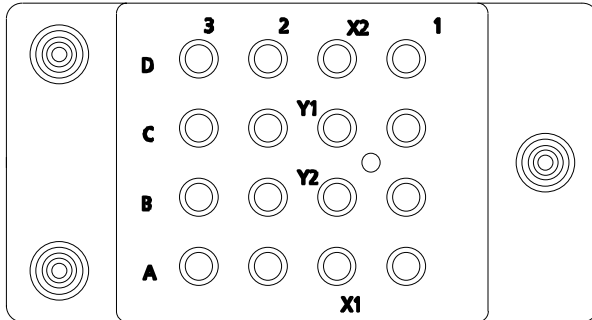


For use with EA410, EA415, EMA12, and EDA2 Relays with Mounting Code 2 and Pin Code K

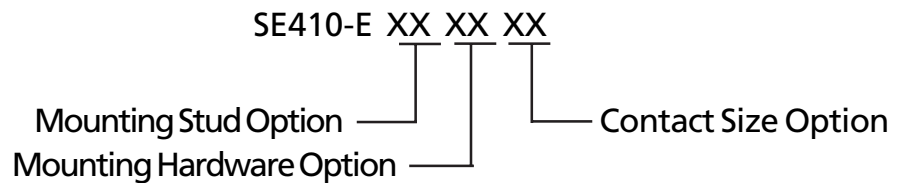
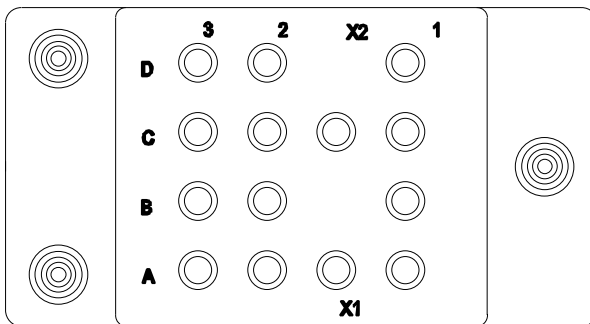


SE Series SE410

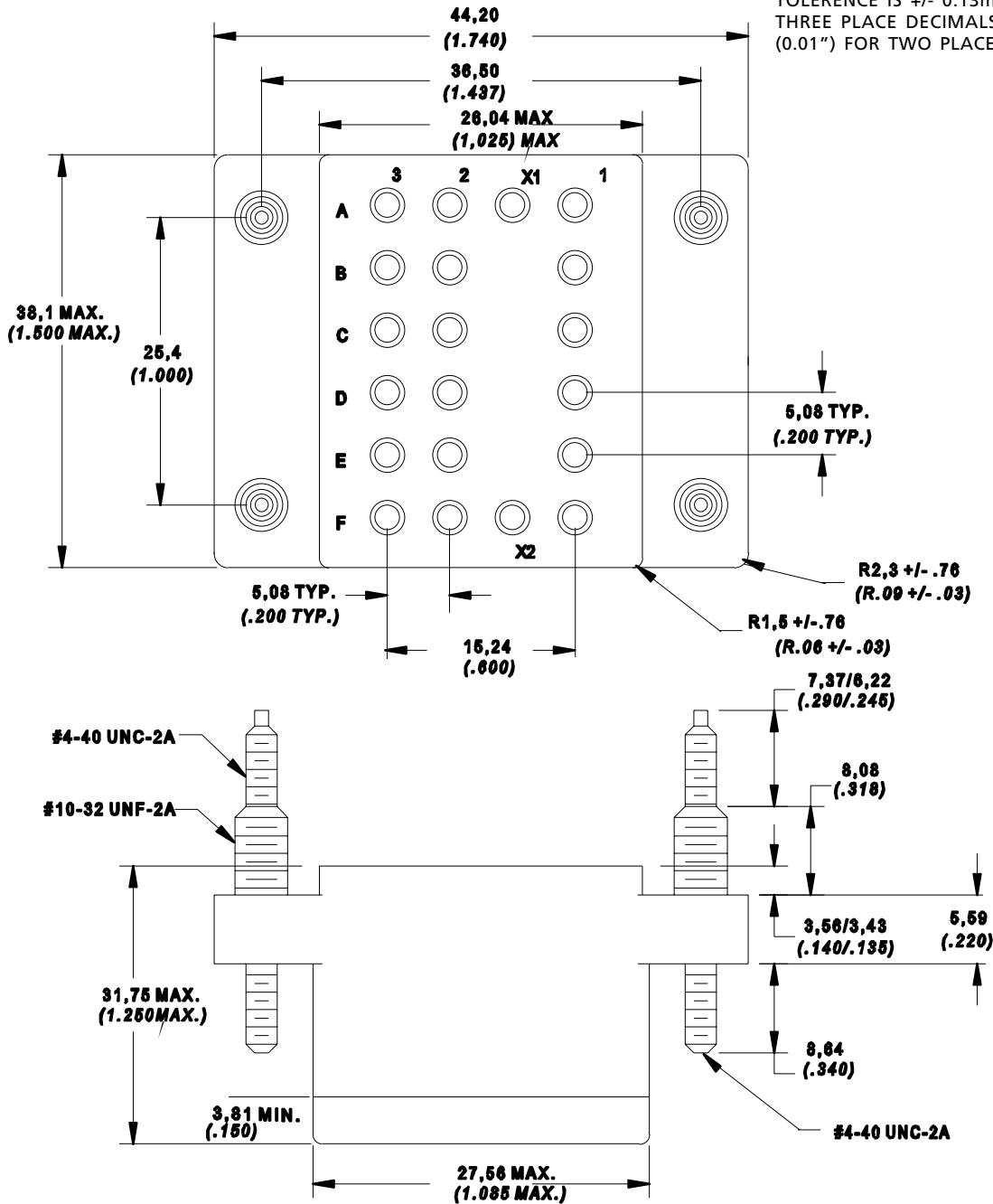
For use with EL410, EL415, ELS410, ELS415, ELR410, ELR415, EM12, EMS12, EDL2 and EDLS2 Relays with Mounting Code 2 and Pin Code M or C and REB210 and REB410 Relays with Mounting Code B



For use with EA410 and EA415 Relays with Mounting Code 2 and Pin Code T



UNLESS OTHERWISE SPECIFIED,
TOLERANCE IS +/- 0.13mm (0.005") FOR
THREE PLACE DECIMALS, AND +/- 0.25mm
(0.01") FOR TWO PLACE DECIMALS



Mounting Stud Option

- 01:** Fixed Stud (Recommended)
- 02:** Keyed / Loose Stud

Contact Size Option

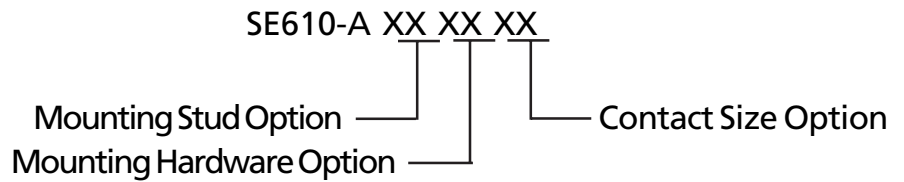
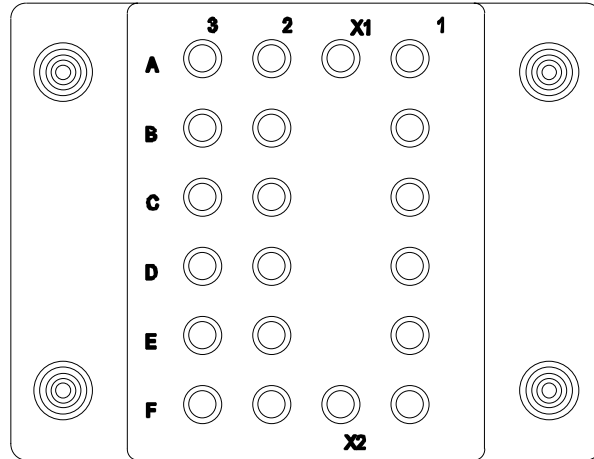
- 01:** Supplied with Socket Crimp Contacts for Size 16 AWG
- 02:** Supplied with Grommet Only for Standard Wire Size

Mounting Hardware Option

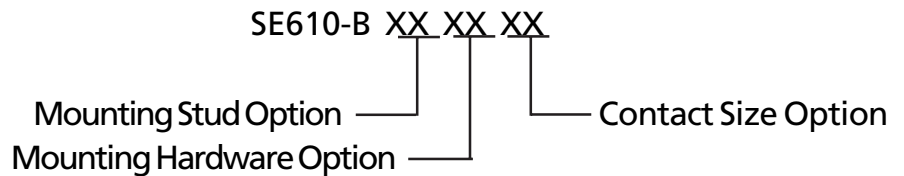
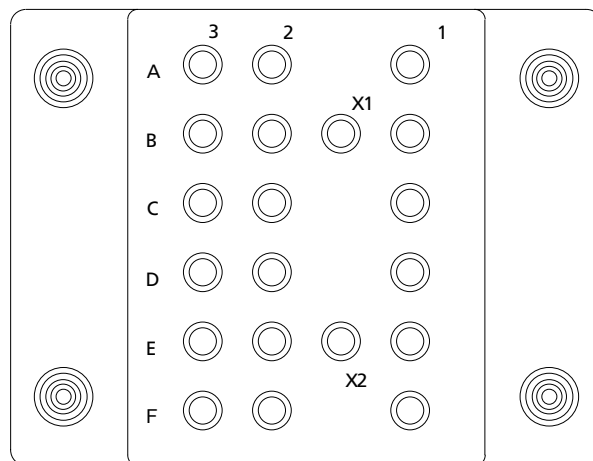
- 01:** Top Mount Only
- 02:** Bottom Mount Only
- 03:** No Hardware
- 04:** Top and Bottom

SE Series SE610

For use with E610, E615, ES610, ES615, EM14, and EMS14 Relays with Mounting Code 2 and Pin Code C

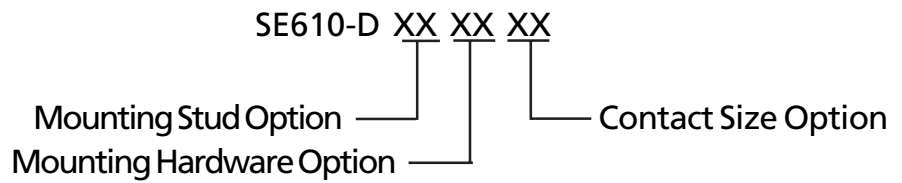
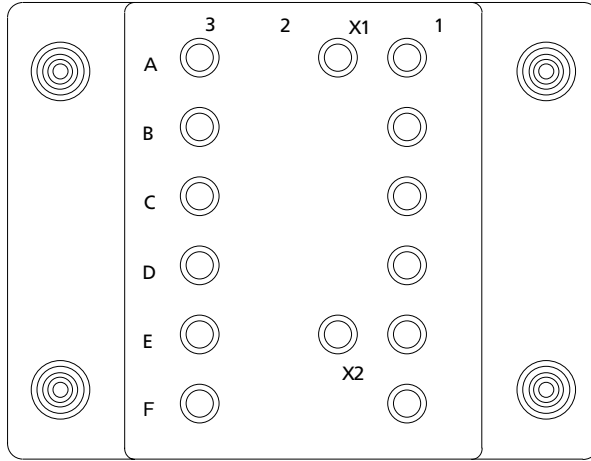


For use with EA610, EA615, EMA14, EMA22, and EDA3 Relays with Mounting Code 2 and Pin Code K

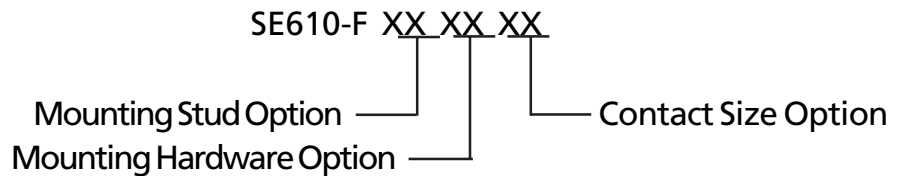
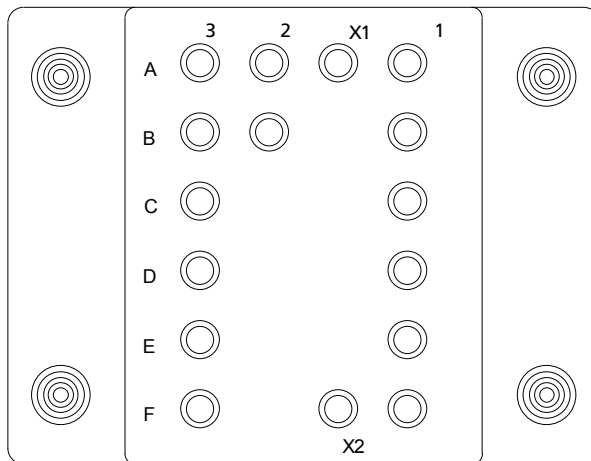


SE Series SE610

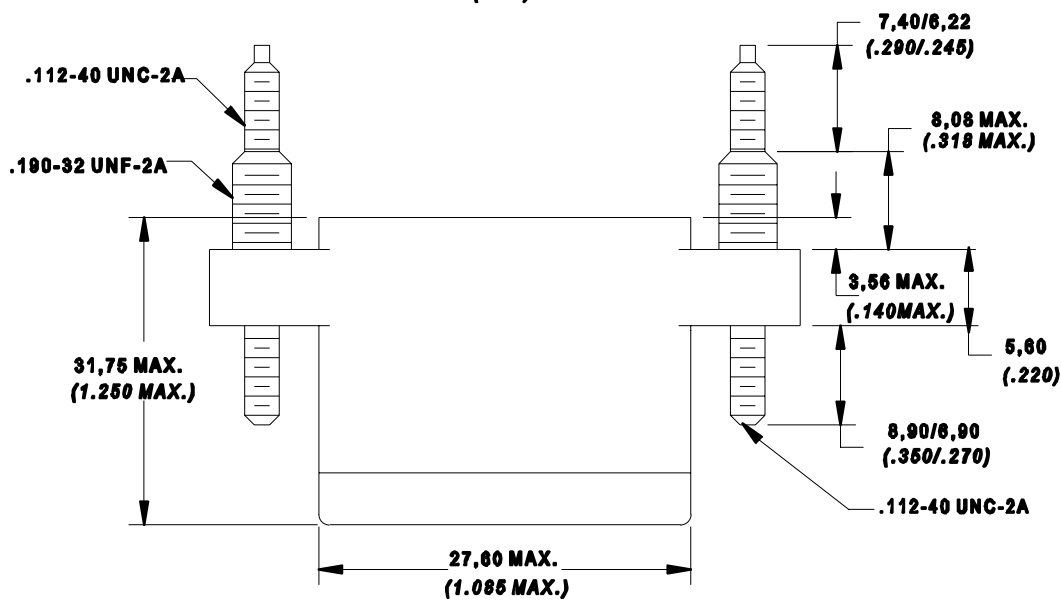
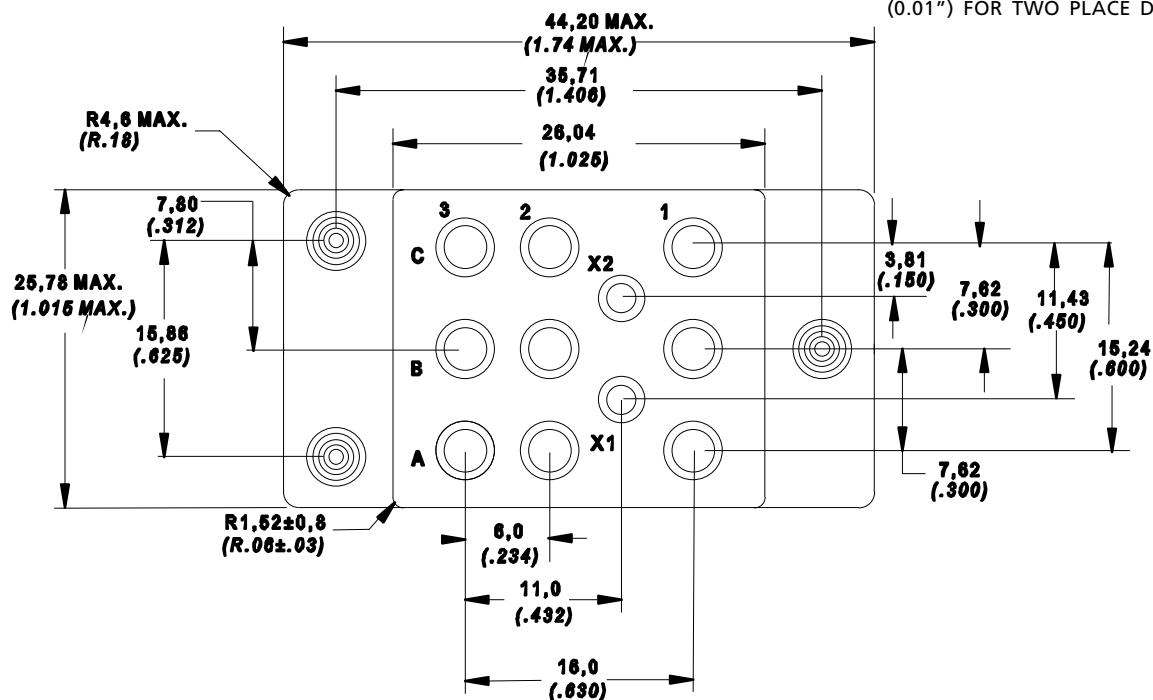
For use with ED3 and EDS3 Relays with
Mounting Code 2 and Pin Code C



For use with EM22 and EMS22 Relays with
Mounting Code 2 and Pin Code C



UNLESS OTHERWISE SPECIFIED,
TOLERANCE IS +/- 0.13mm (0.005") FOR
THREE PLACE DECIMALS, AND +/- 0.25mm
(0.01") FOR TWO PLACE DECIMALS



Mounting Stud Option

- 01:** Fixed Stud (Recommended)
- 02:** Keyed / Loose Stud

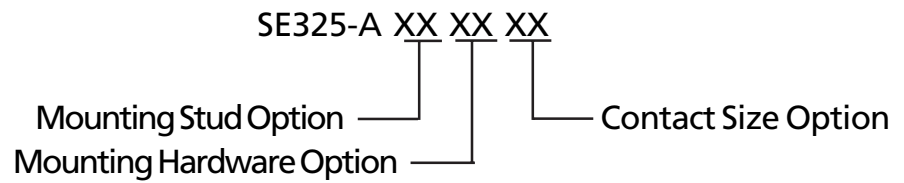
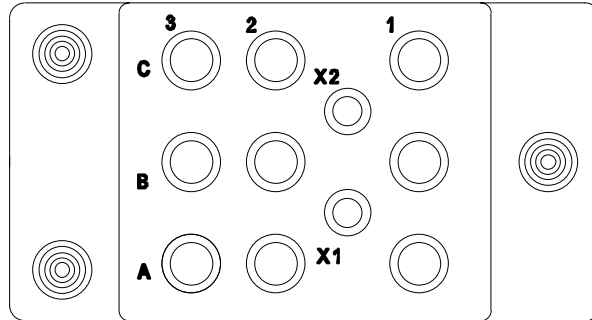
Contact Size Option

- 01:** Supplied with Socket Crimp Contacts for (9) size 12 AWG and (2) size 16 AWG
- 02:** Supplied with Grommet Only for Standard Wire Size
- 03:** Supplied with Socket Crimp Contacts for (11) Size 16 AWG
- 04:** Supplied with Grommet Only for Reduced Wire Size

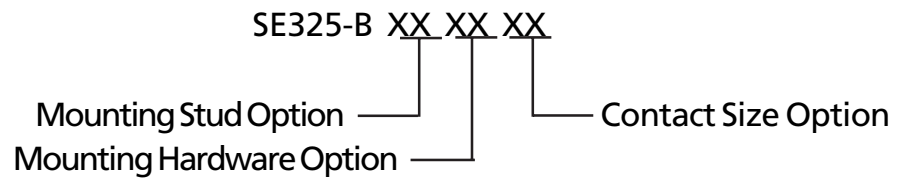
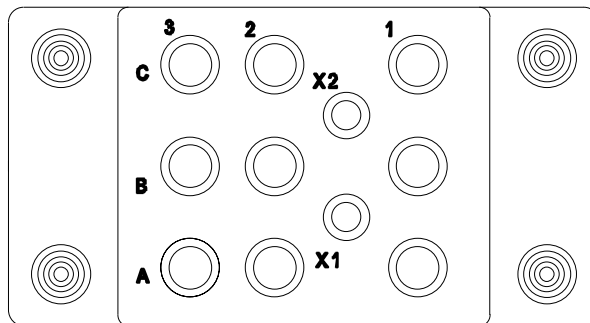
Mounting Hardware Option

- 01:** Top Mount Only
- 02:** Bottom Mount Only
- 03:** No Hardware
- 04:** Top and Bottom

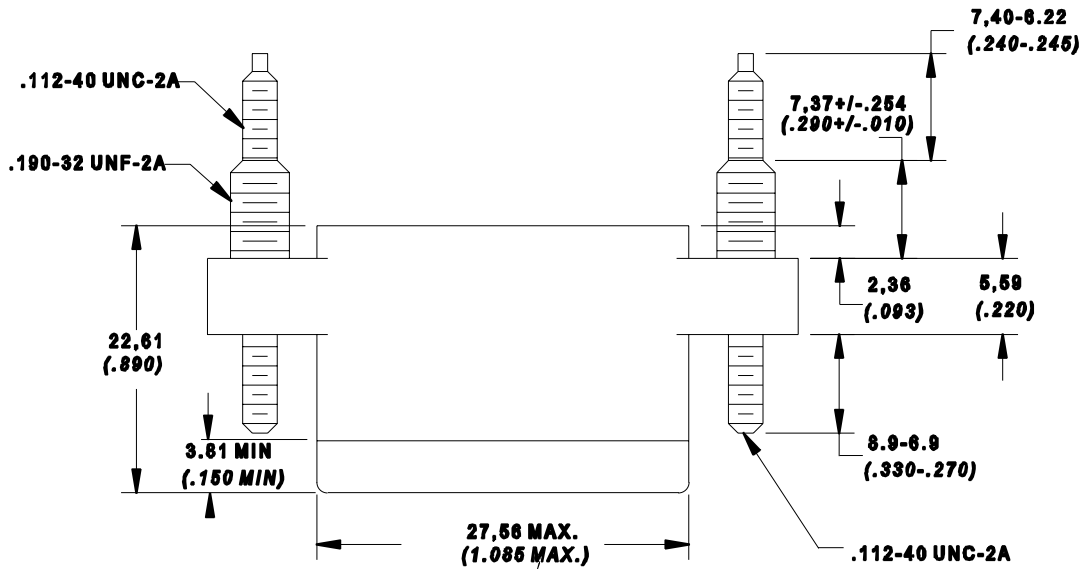
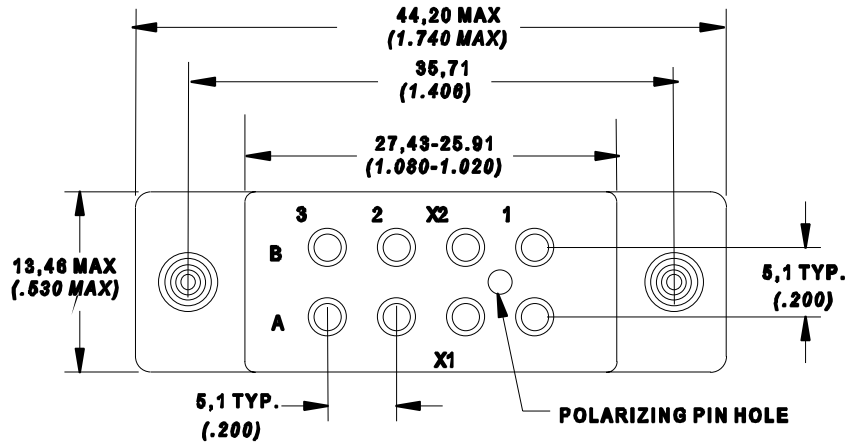
For use with E325, ES325, and EA325 Relays with Mounting Code H and Pin Code C



For use with E325, ES325, and EA325 Relays with Mounting Code 2 and Pin Code C



UNLESS OTHERWISE SPECIFIED,
TOLERANCE IS +/- 0.13mm (0.005") FOR
THREE PLACE DECIMALS, AND +/- 0.25mm
(0.01") FOR TWO PLACE DECIMALS



Mounting Stud Option

- 01:** Fixed Stud (Recommended)
- 02:** Keyed / Loose Stud

Contact Size Option

- 01:** Supplied with Socket Crimp Contacts for Size 16 AWG
- 02:** Supplied with Grommet Only for Standard Wire Size
- 03:** Supplied with Socket Crimp Contacts for Size 20 AWG
- 04:** Supplied with Grommet Only for Reduced Wire Size

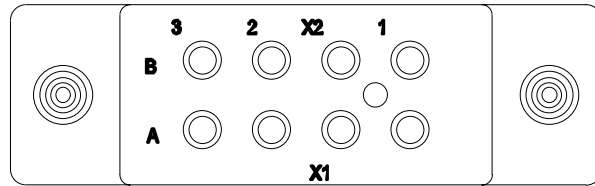
Mounting Hardware Option

- 01:** Top Mount Only
- 02:** Bottom Mount Only
- 03:** No Hardware
- 04:** Top and Bottom

SME Series SME210



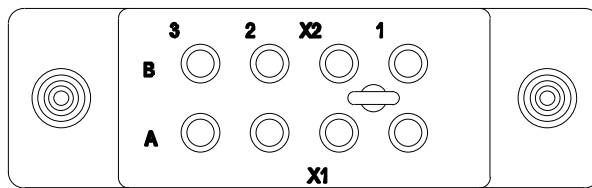
For use with E210, E215, ES210, ES215, ED1, EDS1, and EDA1
Relays with Mounting Code 2 and Pin Code M or C



SME210-A XX XX XX

Mounting Stud Option ———
 Mounting Hardware Option ———
 Contact Size Option ———

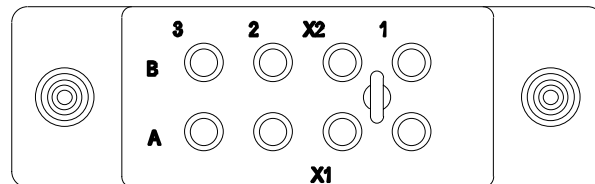
For use with EA210 and EA215 Relays with
Mounting Code 2 and Pin Code G



SME210-B XX XX XX

Mounting Stud Option ———
 Mounting Hardware Option ———
 Contact Size Option ———

For use with EA210 and EA215 Relays with
Mounting Code 2 and Pin Code F

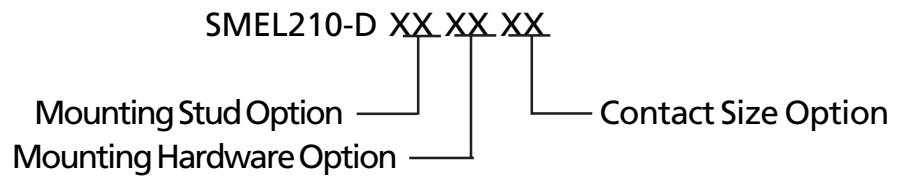
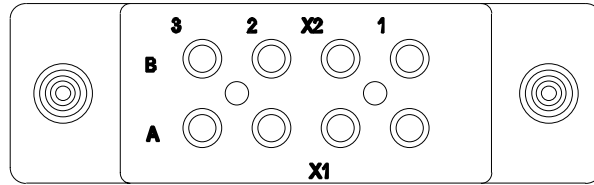


SME210-C XX XX XX

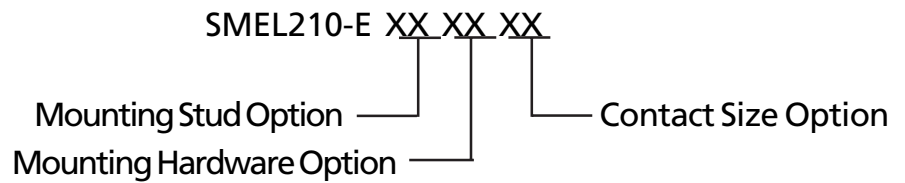
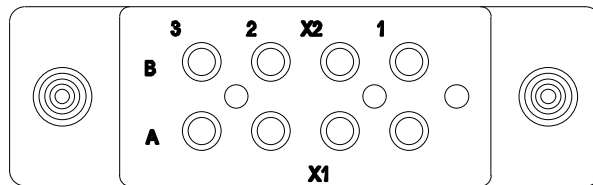
Mounting Stud Option ———
 Mounting Hardware Option ———
 Contact Size Option ———

SME Series SME210

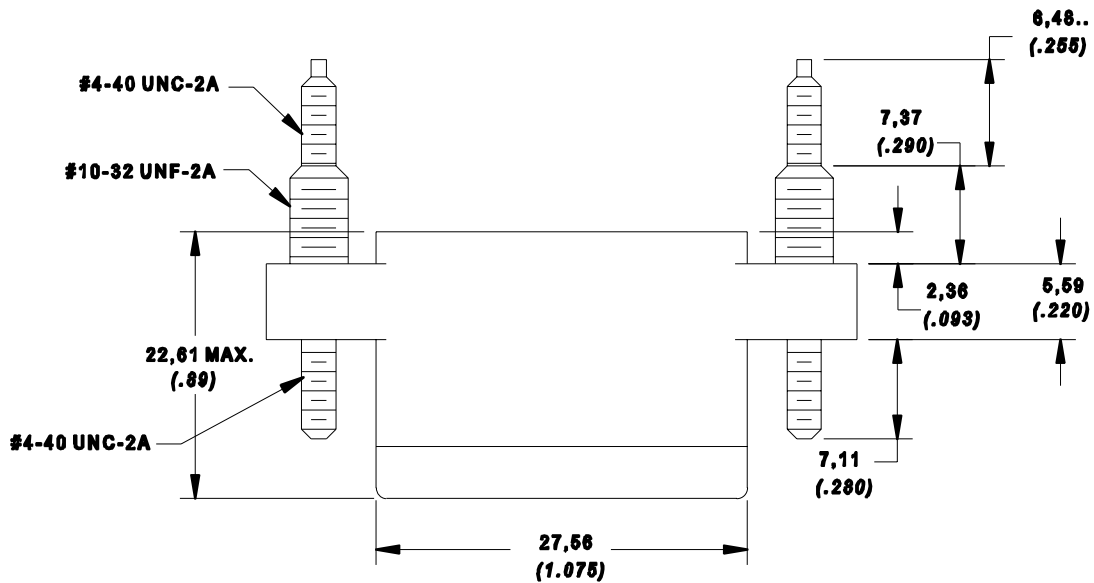
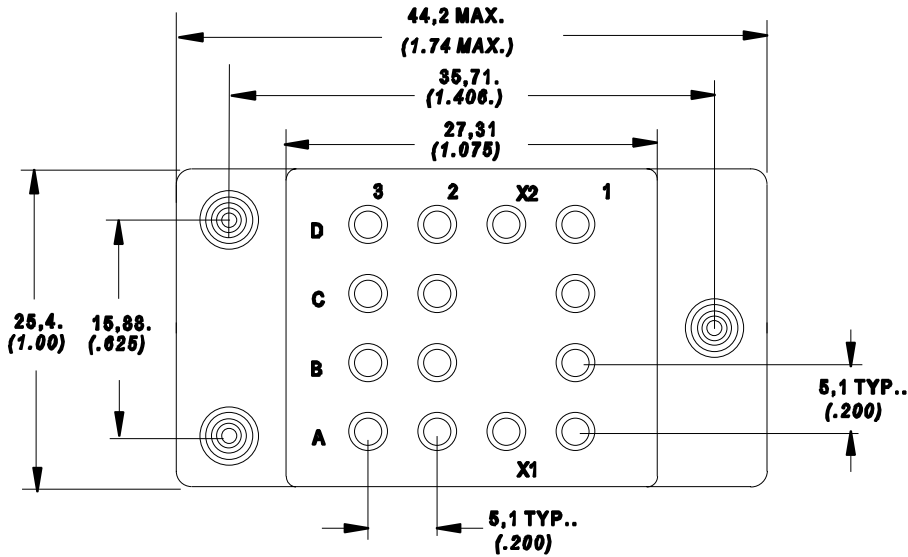
For use with EL210, EL215, ELS210, and ELS215 Relays with
Mounting Code 2 and Pin Code K



For use with EL210, EL215, ELS210, and ELS215 Relays with
Mounting Code 2 and Pin Code M



UNLESS OTHERWISE SPECIFIED,
TOLERANCE IS +/- 0.13mm (0.005") FOR
THREE PLACE DECIMALS, AND +/- 0.25mm
(0.01") FOR TWO PLACE DECIMALS



Mounting Stud Option

- 01:** Fixed Stud (Recommended)
- 02:** Keyed / Loose Stud

Contact Size Option

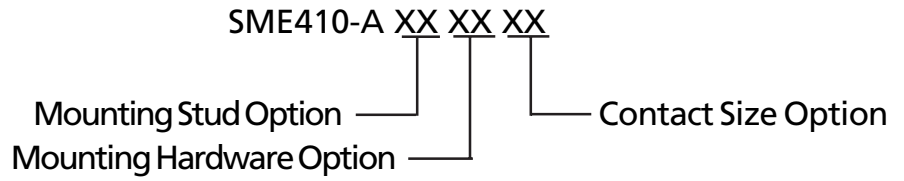
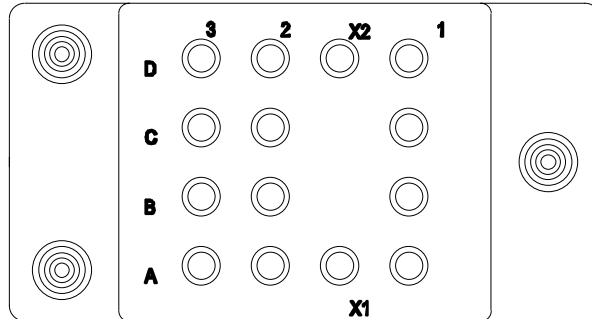
- 01:** Supplied with Socket Crimp Contacts for Size 16 AWG
- 02:** Supplied with Grommet Only for Standard Wire Size
- 03:** Supplied with Socket Crimp Contacts for Size 20 AWG
- 04:** Supplied with Grommet Only for Reduced Wire Size

Mounting Hardware Option

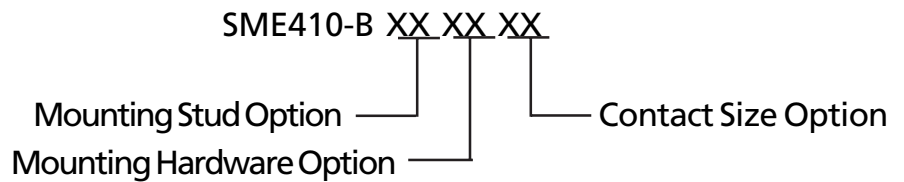
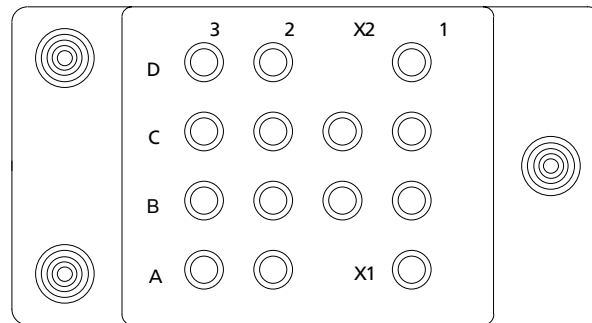
- 01:** Top Mount Only
- 02:** Bottom Mount Only
- 03:** No Hardware
- 04:** Top and Bottom

SME Series SME410

For use with E410, E415, ES410, ES415, ED2, and EDS2 Relays with Mounting Code 2 and Pin Code C



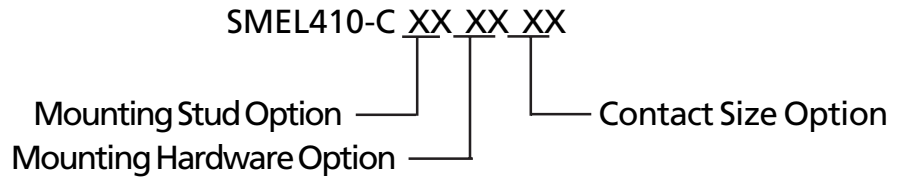
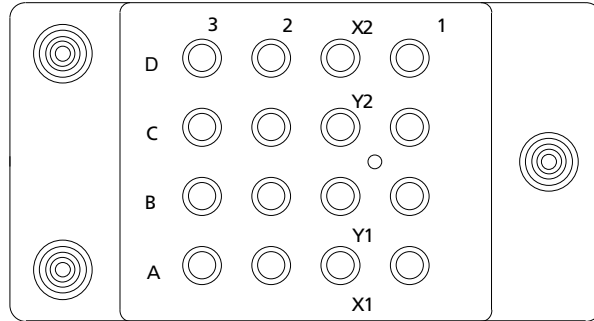
For use with EA410, EA415, EMA12, and EDA2 Relays with Mounting Code 2 and Pin Code K



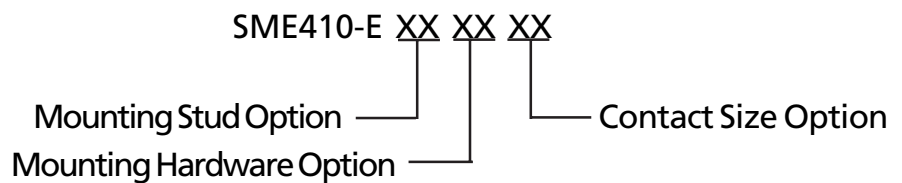
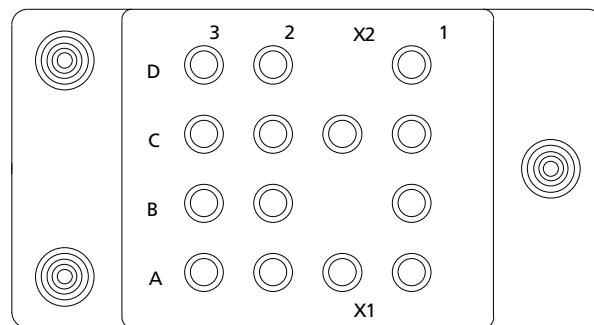
SME Series SME410



For use with EL410, EL415, ELS410, ELS415, ELR410, ELR415, EM12, EMS12, EDL2 and EDLS2 Relays with Mounting Code 2 and Pin Code M or C and REB210 and REB410 Relays with Mounting Code B



For use with EA410 and EA415 Relays with Mounting Code 2 and Pin Code T

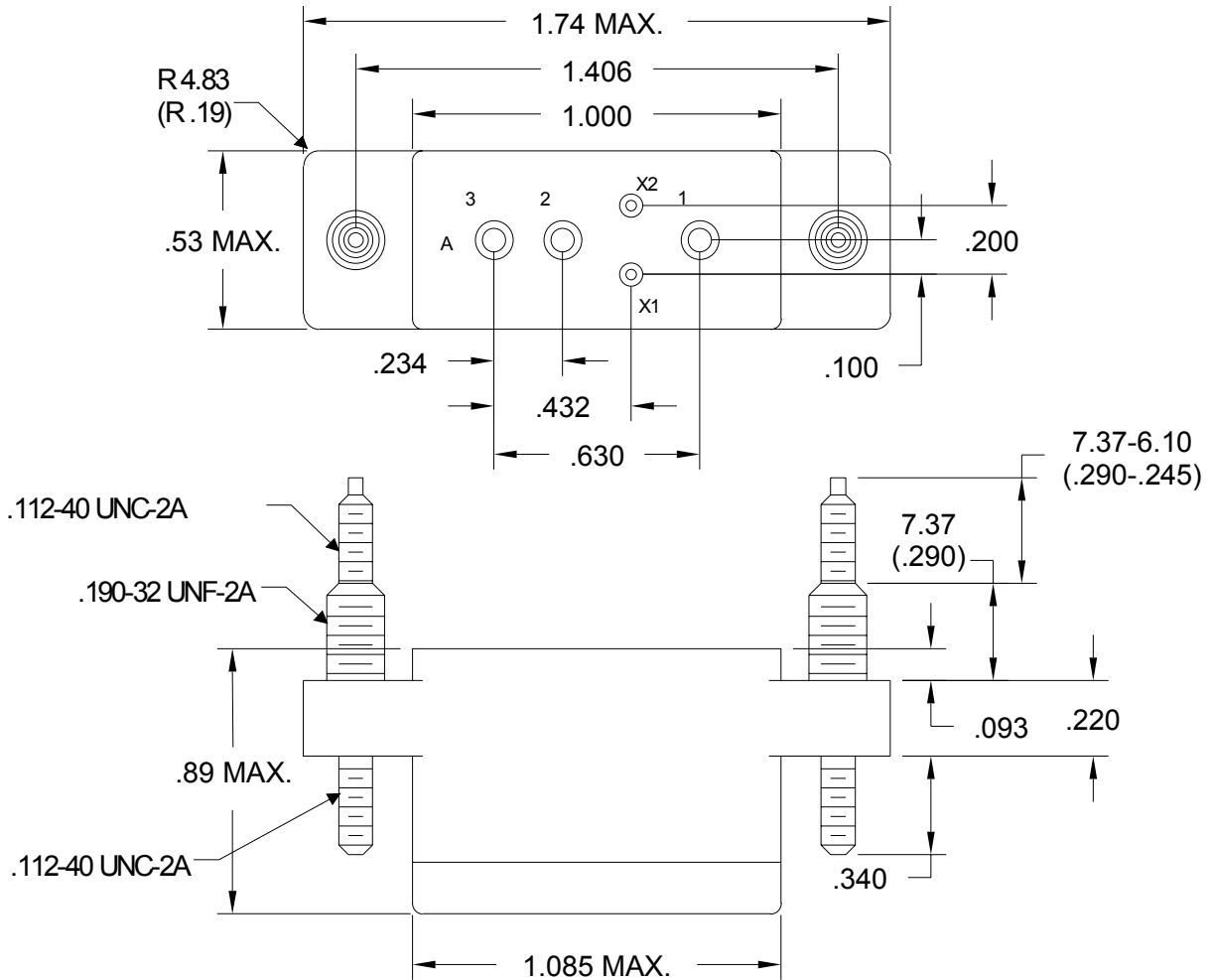


SME Series SME125

For use with E125, ES125, and EA125 Relays with Mounting Code 2 and Pin Code C



UNLESS OTHERWISE SPECIFIED, TOLERANCE IS +/- 0.13mm (0.005") FOR THREE PLACE DECIMALS, AND +/- 0.25mm (0.01") FOR TWO PLACE DECIMALS



SME125-A 01 XX XX

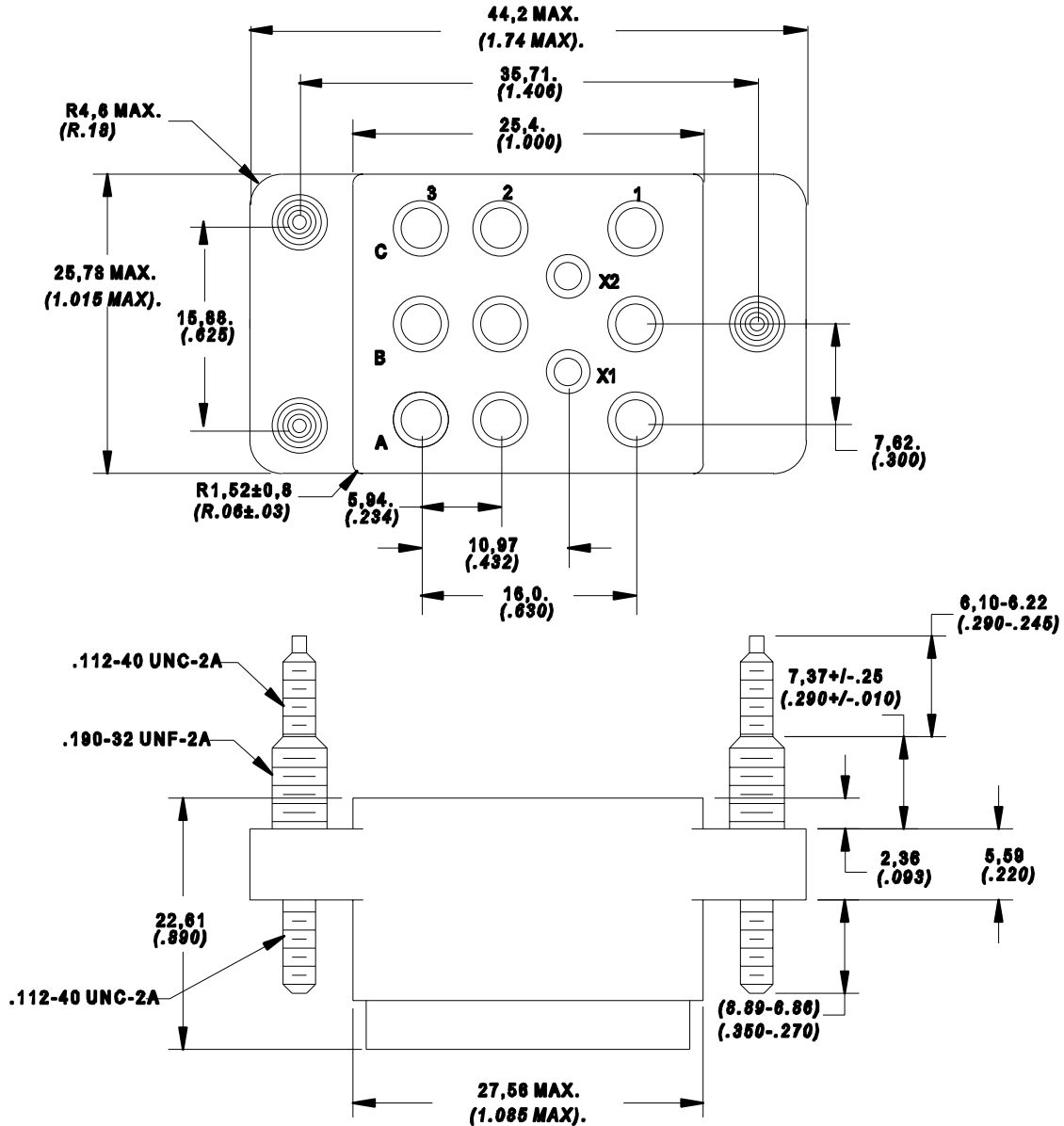
Mounting Hardware Option

- 01:** Top Mount Only
- 02:** Bottom Mount Only
- 03:** No Hardware
- 04:** Top and Bottom

Contact Size Option

- 01:** Supplied with Socket Crimp Contacts for (3) size 12 AWG and (2) size 16 AWG
- 02:** Supplied with Grommet Only for Standard Wire Size
- 03:** Supplied with Socket Crimp Contacts for (5) Size 16 AWG
- 04:** Supplied with Grommet Only for Reduced Wire Size

UNLESS OTHERWISE SPECIFIED,
TOLERANCE IS +/- 0.13mm (0.005") FOR
THREE PLACE DECIMALS, AND +/- 0.25mm
(0.01") FOR TWO PLACE DECIMALS



Mounting Stud Option

- 01:** Fixed Stud (Recommended)
- 02:** Keyed / Loose Stud

Contact Size Option

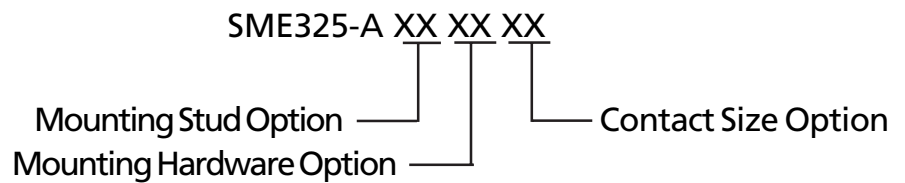
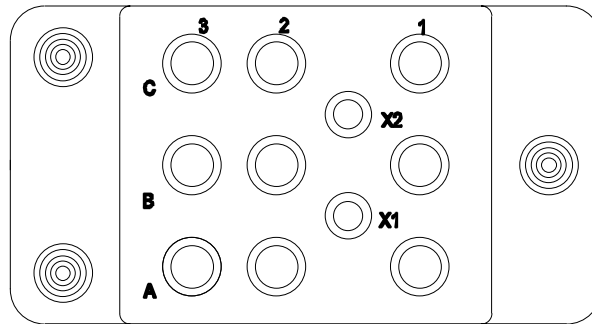
- 01:** Supplied with Socket Crimp Contacts for (9) size 12 AWG and (2) size 16 AWG
- 02:** Supplied with Grommet Only for Standard Wire Size
- 03:** Supplied with Socket Crimp Contacts for (11) Size 16 AWG
- 04:** Supplied with Grommet Only for Reduced Wire Size

Mounting Hardware Option

- 01:** Top Mount Only
- 02:** Bottom Mount Only
- 03:** No Hardware
- 04:** Top and Bottom

SME Series SME325

For use with E325, ES325, and EA325 Relays with
Mounting Code H and Pin Code C



For use with E325, ES325, and EA325 Relays with
Mounting Code 2 and Pin Code C

