

# Rebling Datasheet

## CABLE MOUNTED PLUG 7017 SERIES

### AVIONICS/MIL SPEC

All of our two pole, avionics-grade, quick disconnect, cable-mounted plugs are designed to mate with our avionics-grade, bulkhead-mounted receptacles. The quick disconnect feature enables an operator, even with double-gloved hands, to rotate the handle clockwise to engage the connector and lock it in place then to rotate the handle counter-clockwise to disengage the electrical contacts and unlock the connector. Polarity markings on the outside and inside of the connector are clearly visible and the mechanical polarizing design prevents it from being mis-mated. All fastening and mechanical hardware components are made from stainless steel. The 7017 is identical to the 7016 plug connector, except that the protective backshell of the 7017 is 1/4" greater in length.



#### ELECTRICAL

##### Current

- ▶ Rated Current (per MIL PRF 18148D)

750 amp

##### Voltage

- ▶ Rated Voltage (volts, continuous)
- ▶ Dielectric Withstanding Voltage

750

2,500

##### Contact Resistance (Micro Ohms)

60

#### MECHANICAL

##### Wire Size Range

- ▶ Minimum Wire Size
- ▶ Maximum Wire Size
- ▶ Maximum Cable OD (inches)
- ▶ Maximum Terminal Lug Tongue Width (inches)
- ▶ Maximum Terminal Lug Web Width (inches)

8 AWG

4/0

0.76"

1.06"

0.35"

##### Environmental Sealing when mated

- ▶ With standard kit components
- ▶ With optional gasket, shrink tubing or boot accessories

IP13

IP13

##### Operating Temperature

- ▶ Minimum (°C)
- ▶ Maximum (°C)

-85°

71°

##### Flammability Rating (per UL Standard #94)

V-0

##### Mechanical Shock

20gs - 3 axes

##### Vibration

10gs - 3 axes

##### Mating Cycles

- ▶ No Electrical Load (# mating cycles)

5,000

##### Mating Force

- ▶ Maximum Mating or Unmating force after 10 matings (inch-pounds)
- ▶ Maximum Mating or Unmating force after 5,000 matings (inch-pounds)

12

12

##### Assembly Instructions

- ▶ Recommended Torque on 5/16" Electrical Connection Nuts
- ▶ Recommended Torque on 10-32 Backshell Bolts

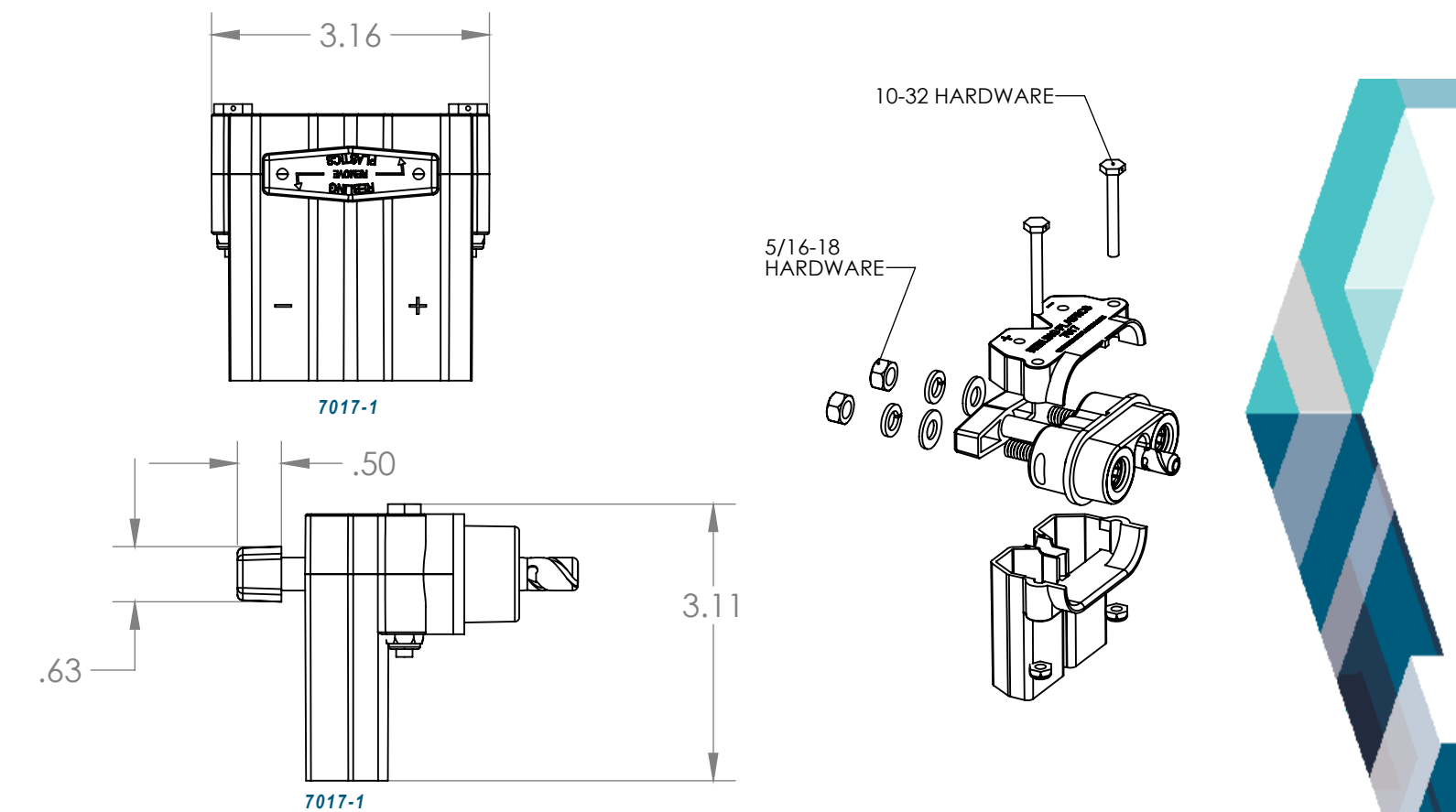
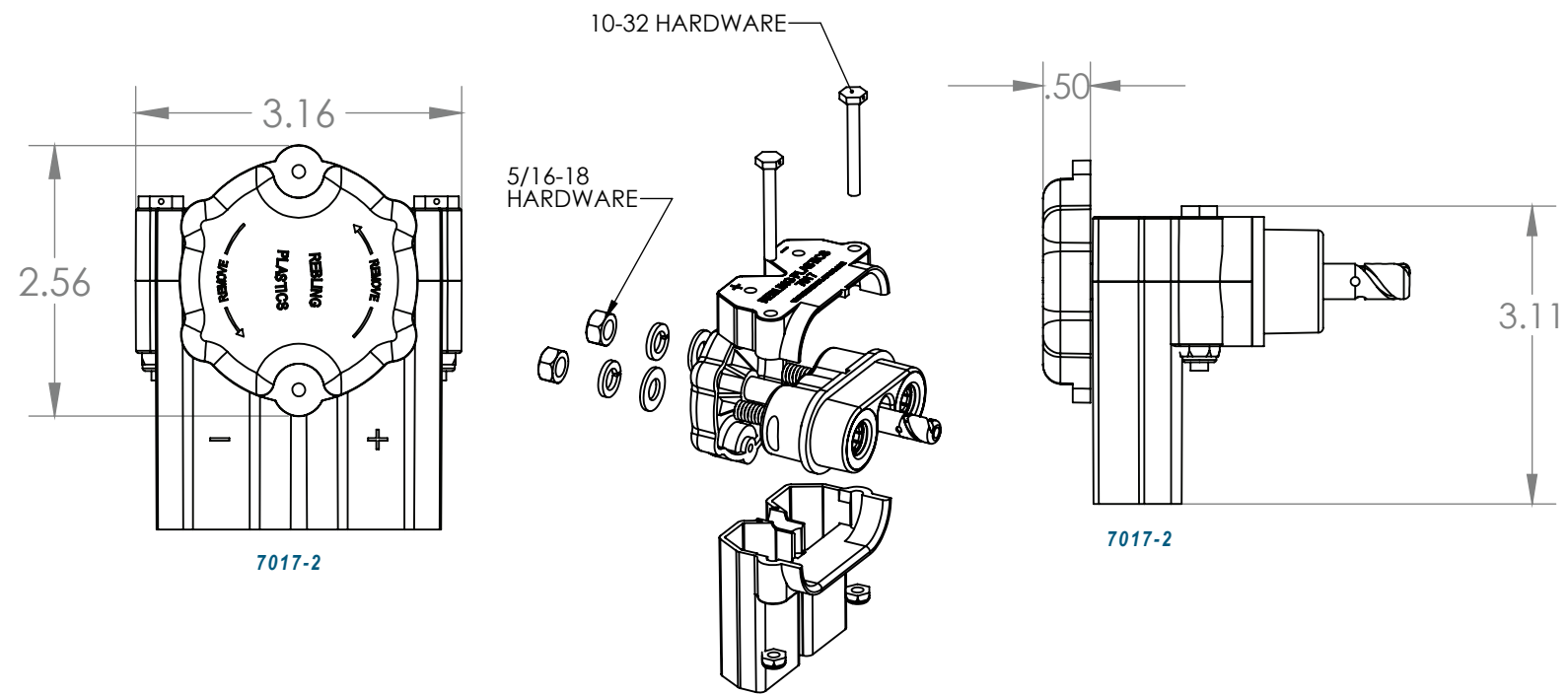
40 to 50 in-lbs

6 to 8 in-lbs

#### CERTIFICATIONS:

CERTIFIED FOR AVIONICS APPLICATIONS  
PER MILITARY STANDARDS #

- ▶ MIL PRF 18148-1
- ▶ MS 3349-2
- ▶ MIL E 81099



#### COMMERICAL ORDERING INFORMATION

##### KEY COMPONENTS

- ▶ 7017-1 (MS3349-2) Plug, 2 Wire, Tee Handle, Standard Backshell, Black
- ▶ 7017-2 (MS3349-2) Plug, 2 Wire, Round Handle, Standard Backshell, Black