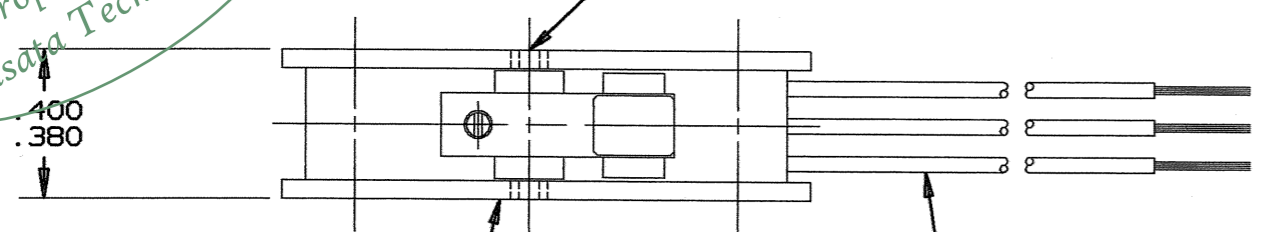


Property of  
Sensata Technologies

CIRCUIT DIAGRAM PERMANENTLY MARKED ON THIS SURFACE



AWG #20 WIRE LEADS PER MIL-W-22759/7-20-9. CODED EVERY 6 INCHES PER CIRCUIT DIAGRAM

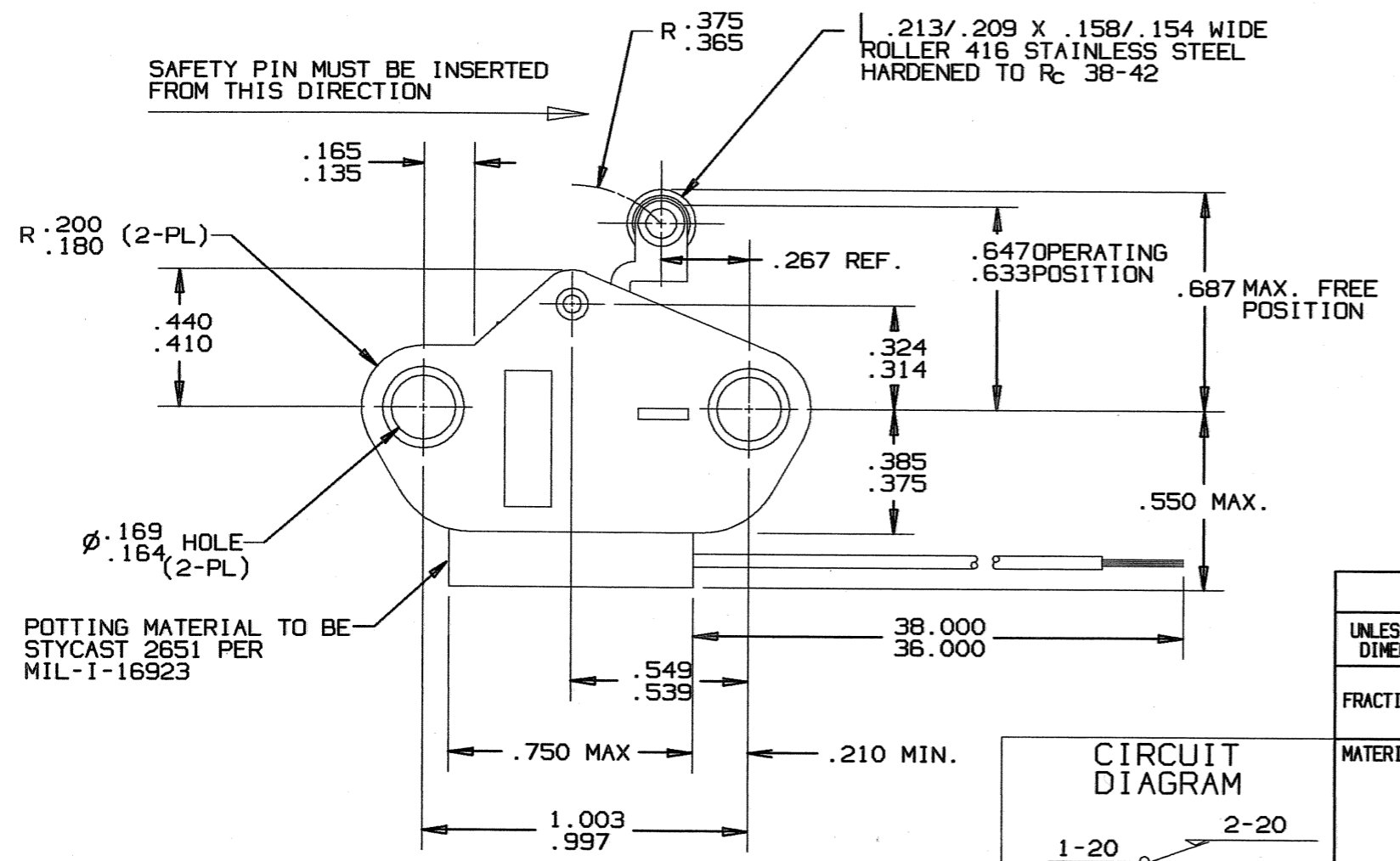
PERMANENTLY CODE THIS SURFACE AS FOLLOWS:  
 KLIXON ®  
 3AT78-5A  
 ST5M1422-009A  
 MADE IN U.S.A.  
 (YYWW) DATE CODE  
 WEEK YEAR

REVISIONS					
ZONE	LTR	DESCRIPTION	PROJ.# 1005	DATE	APPROVED
	A	1ST ISSUE	CRM06619, CF	10-2-91	C.F.
	B	DELETE SPRING CODING--RED	ECN#M38729 RM	4/16/98	J.A.F.

CHARACTERISTICS

ACTUATION FORCE:	48 OZ. MAX.
RELEASE FORCE:	12 OZ. MIN.
PRETRAVEL:	.040 MAX.
MOVEMENT DIFFERENTIAL:	.030 MAX.
OVERTRAVEL:	.075 MIN.
LIFE AT RATED LOAD:	25,000 CYCLES
MECHANICAL ENDURANCE:	50,000 CYCLES
AMBIENT TEMPERATURE RANGE (1ATM):	-65° F. TO 350° F. CONT. 450° F. 1 MIN.
INSULATION RESISTANCE AT 500 VOLTS D.C.:	100 MEGOHMS MIN.
VOLTAGE DROP AT 1 AMP:	.15 VOLT
SEAL:	CLASS 5 (HERMETIC) PER MIL-S-8805
MAX. ALLOWED LEAKAGE:	1 X 10 <sup>-8</sup> STD.CC HE/SEC.
BACKFILL:	DRY NITROGEN
WEIGHT:	2.6 OZ. MAX.
DIELECTRIC STRENGTH:	
TERM. TO TERM.	800 VRMS
TERM. TO CASE	1050 VRMS

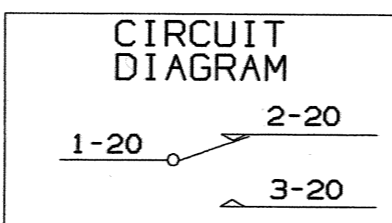
SAFETY PIN MUST BE INSERTED FROM THIS DIRECTION



CURRENT CAPABILITY

SEA LEVEL AND 80,000 FT. ALTITUDE	
LOAD	28 VOLTS D.C.
RESISTIVE	2 AMPS
INDUCTIVE	1 AMP L/R .026
LAMP	1 AMP

SHOCK RESISTANCE WITHOUT CONTACT CHATTER: 50G  
 VIBRATION RESISTANCE (10-2000 HZ) WITHOUT CONTACT CHATTER: 15G



UNLESS OTHERWISE SPECIFIED DIMENSIONS ARE IN INCHES		BY CHAS. FLEURANT	DATE 10-3-91	Q13 P18 P3
TOLERANCES ON FRACTIONS DECIMALS INCHES		CH.		
MATERIAL		ENG. C. FERRIS	DATE 10-7-91	
APPROVED		TITLE ROLLER LEVER SWITCH ENVELOPE DRAWING		
		SIZE B	CODE IDENT NO. 82647	3AT78-5
SHEET 1 OF 1				