

| 3SB SERIES

Simulators, Single-Phase, Low Amp, Quick Trip

Introduction

Klixon® 3SB series simulator circuit breaker was developed by Sensata Technologies to meet the growing needs of the commercial and military simulator industry. Due to the high operational cost of live training, more and more training is being conducted on simulators. The realism and complexity of tomorrow's simulators will require a circuit breaker that can provide the same "look and feel" of industry accepted circuit breakers in order to create a superior training environment.



Features

- Low amperage
- Fast trip response
- High performance (shock and vibration)
- Lower total system cost
- Tactile feel equivalent to industry accepted aircraft circuit breakers
- Packaged in military standard configuration
- Optional panel mount configuration, replaceable amp rating inserts (reference part #27515 when ordering), auxiliary switch

The 3SB electro mechanical devices provide fast trip response with low current draw at 28 VDC. For adaptability to aircraft cockpit panel mounting, they are packaged in a standard MS 26574 style thermal circuit breaker configuration. This fast trip/low current performance provides the opportunity for system level savings. It enables the designer to potentially downsize the system power source and eliminate expensive I/O boards or other electronics while also reducing the amount of cabling required.

Changes in training schemes normally entail system rewiring to reconfigure the simulator, which becomes labor intensive and costly. With the incorporation of a 3SB device the training changes can easily be achieved through system software — without the time and cost associated with rewiring.

Klixon® simulator circuit breakers also provide the same tactile feel as standard Mil qualified breakers for superior training realism.

Klixon® circuit breakers offer flexibility by offering replaceable ampere rating inserts. (To order different amp rating insert tabs, reference part number 27515.) Attached to the top of the pushbutton actuator, they match the current rating used in the actual aircraft. These inserts can be rotated within the pushbutton to meet your cockpit configuration needs.

An optional auxiliary switch for remote indications and a variety of connection alternatives are also available.



PERFORMANCE CHARACTERISTICS

Vibrations	5 G maximum, 50–500 Hz
Mechanical Shock	5G
Acceleration	5G
Weight	30 grams maximum
Endurance	25000 mechanical cycles, no load 1000 Electrical trip cycles minimum at 28 VDC
Open and Reset Force	5 lb. maximum
Calibration at 25°C	200mA maximum Current draw at 28 VDC 3 seconds maximum trip time

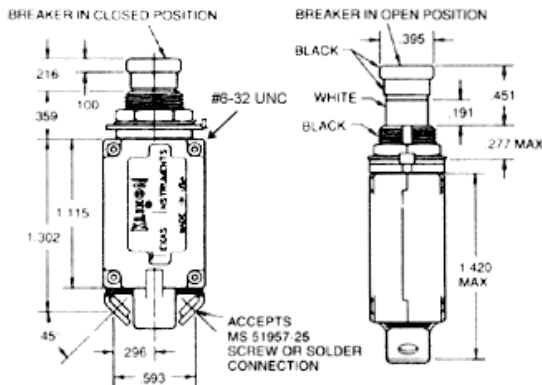


DIMENSIONS

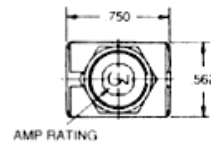
Dimensions in mm [Inch]

3SB2

Side View

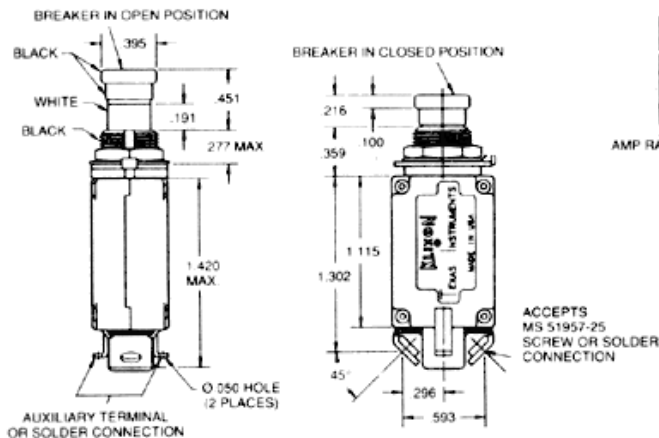


Top View

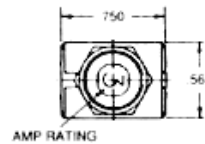


3SB4

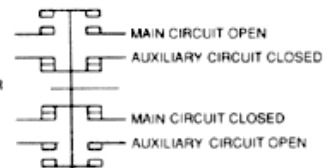
Side View



Top View



Circuitry



Sensata Technologies, Inc. ("Sensata") data sheets are solely intended to assist designers ("Buyers") who are developing systems that incorporate Sensata products (also referred to herein as "components"). Buyer understands and agrees that Buyer remains responsible for using its independent analysis, evaluation and judgment in designing Buyer's systems and products. Sensata data sheets have been created using standard laboratory conditions and engineering practices. Sensata has not conducted any testing other than that specifically described in the published documentation for a particular data sheet. Sensata may make corrections, enhancements, improvements and other changes to its data sheets or components without notice.

Buyers are authorized to use Sensata data sheets with the Sensata component(s) identified in each particular data sheet. HOWEVER, NO OTHER LICENSE, EXPRESS OR IMPLIED, BY ESTOPPEL OR OTHERWISE TO ANY OTHER SENSATA INTELLECTUAL PROPERTY RIGHT, AND NO LICENSE TO ANY THIRD PARTY TECHNOLOGY OR INTELLECTUAL PROPERTY RIGHT, IS GRANTED HEREIN. SENSATA DATA SHEETS ARE PROVIDED "AS IS". SENSATA MAKES NO WARRANTIES OR REPRESENTATIONS WITH REGARD TO THE DATA SHEETS OR USE OF THE DATA SHEETS, EXPRESS, IMPLIED OR STATUTORY, INCLUDING ACCURACY OR COMPLETENESS. SENSATA DISCLAIMS ANY WARRANTY OF TITLE AND ANY IMPLIED WARRANTIES OF MERCHANTABILITY, FITNESS FOR A PARTICULAR PURPOSE, QUIET ENJOYMENT, QUIET POSSESSION, AND NON-INFRINGEMENT OF ANY THIRD PARTY INTELLECTUAL PROPERTY RIGHTS WITH REGARD TO SENSATA DATA SHEETS OR USE THEREOF.

All products are sold subject to Sensata's terms and conditions of sale supplied at www.sensata.com SENSATA ASSUMES NO LIABILITY FOR APPLICATIONS ASSISTANCE OR THE DESIGN OF BUYERS' PRODUCTS. BUYER ACKNOWLEDGES AND AGREES THAT IT IS SOLELY RESPONSIBLE FOR COMPLIANCE WITH ALL LEGAL, REGULATORY AND SAFETY-RELATED REQUIREMENTS CONCERNING ITS PRODUCTS, AND ANY USE OF SENSATA COMPONENTS IN ITS APPLICATIONS, NOTWITHSTANDING ANY APPLICATIONS-RELATED INFORMATION OR SUPPORT THAT MAY BE PROVIDED BY SENSATA.

Mailing Address: Sensata Technologies, Inc., 529 Pleasant Street, Attleboro, MA 02703, USA.

Americas

+1 (508)-236-3287
klixon@sensata.com

AUTHORIZED DISTRIBUTORS

Flame Enterprises
Bob Correa, Director of Product Management
+1 (240) 236-9802
bcorrea@flamecorp.com
info@flamecorp.com | Web
Tel: 1-800-854-2255 or 1-818-700-2905
Fax: 1-818-407-5080

Peerless Electronics
Steve Gunther, National Sales Manager

CONTACT US

+1 (516) 594-3509
sgunther@peerlesselectronics.com
nysales@peerlesselectronics.com | Web
Tel: 1-800-285-2121
Fax: 1-800-222-8096

Europe, Middle East & Africa

Flame Enterprises
Bob Correa, Director of Product Management
+1 (240) 236-9802
bcorrea@flamecorp.com
info@flamecorp.com | Web
Tel: 1-800-854-2255 or 1-818-700-2905
Fax: 1-818-407-5080