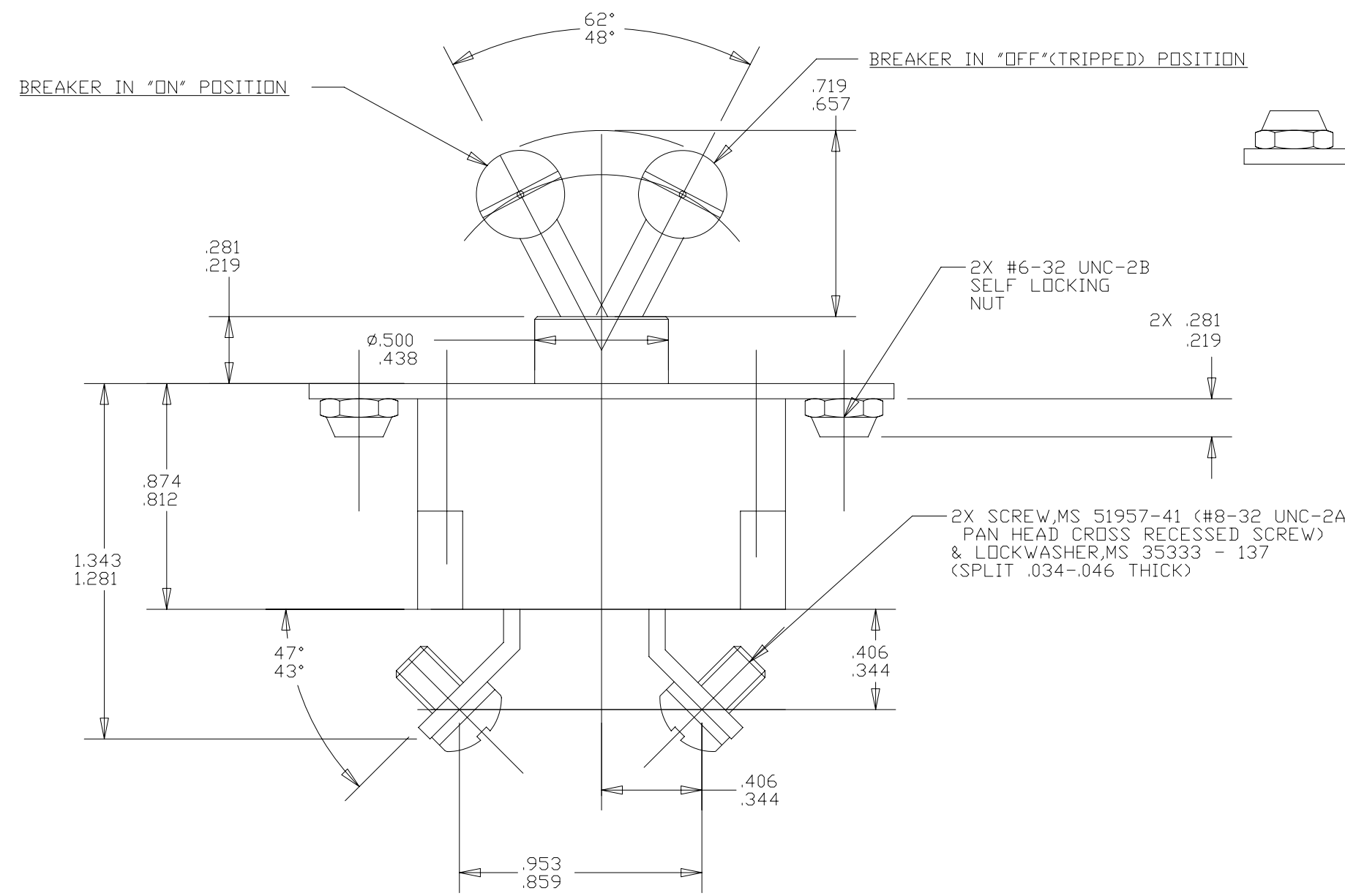
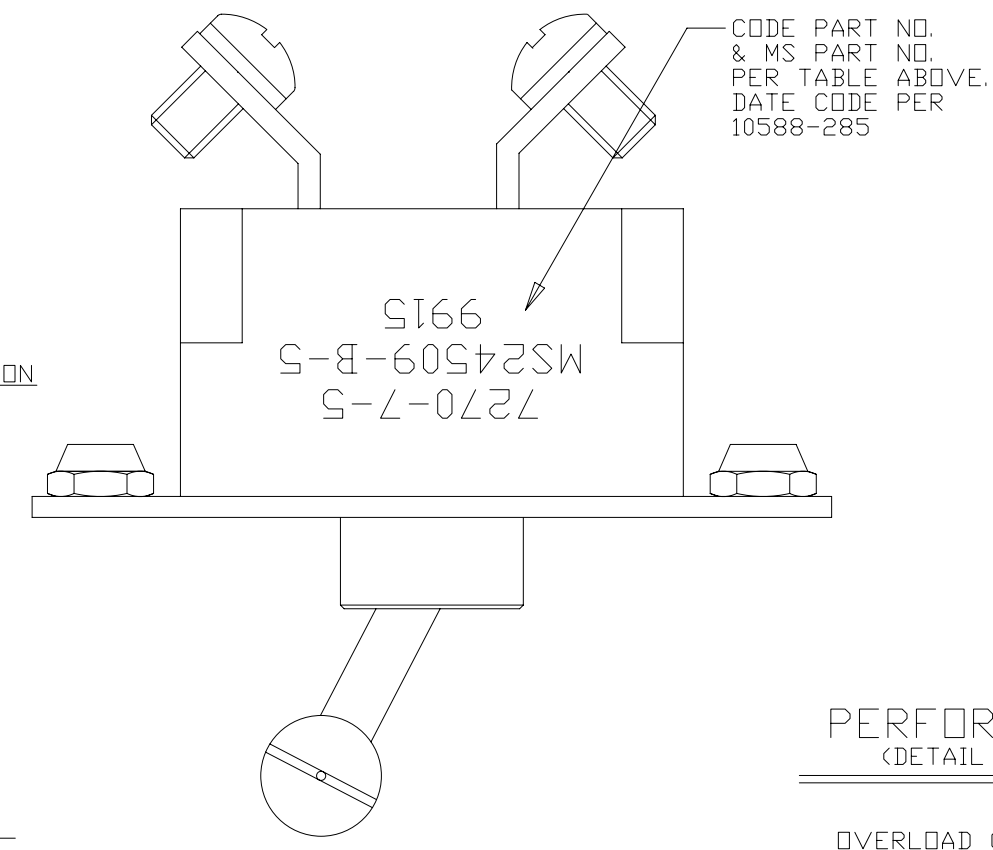
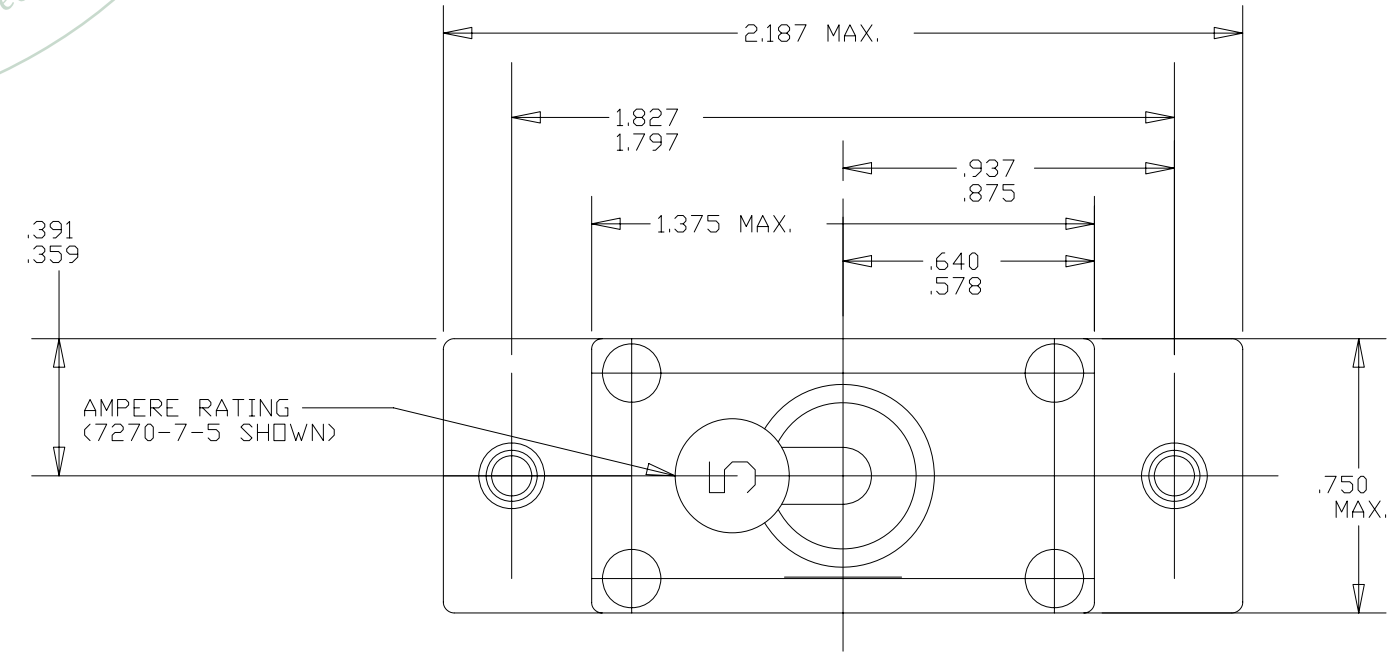


Property of  
Sensata Technologies

ZONE	REV.	REVISION DESCRIPTION	ECN NO.	DATE
D1	T	IN TABLE, PN MS24509-B-7-1/2 WAS MS24509-7 1/2; PD	ECN0042066	19-MAY-2008

MAXIMUM VOLTAGE DROP	% RATED CURRENT			PART NO.	AMP. RATING	CUSTOMER PART NO.
	200	400	600			
0.75	40-120	3-26	1-12	7270-7- 3	3	
0.65	40-100	3-22	1-10	7270-7- 5	5	MS24509-B-5
0.50	10-70	.75-7.0	.25-2.5	7270-7- 7 1/2	7 1/2	MS24509-B-7-1/2
				7270-7-10	10	MS24509-B-10
				7270-7-15	15	MS24509-B-15
				7270-7-20	20	
				7270-7-25	25	
				7270-7-30	30	
				7270-7-35	35	



PERFORMANCE CHARACTERISTICS  
(DETAIL PERFORMANCE PER MIL-C-5809)

OVERLOAD CYCLING-----100 CYCLES AT 200% RATING  
 SINUSOIDAL VIBRATION-----10 G'S 50-500 HZ  
 MECHANICAL SHOCK-----30 G'S AT 11.0 MILLISECOND DURATION  
 ACCELERATION-----10 G'S MINIMUM  
 SAND & DUST-----12 HOURS  
 CORROSION -----SALT SPRAY 48 HOURS  
 HUMIDITY-----10 DAYS  
 EXPLOSION PROOF-----WHILE INTERRUPTING RUPTURE CURRENTS

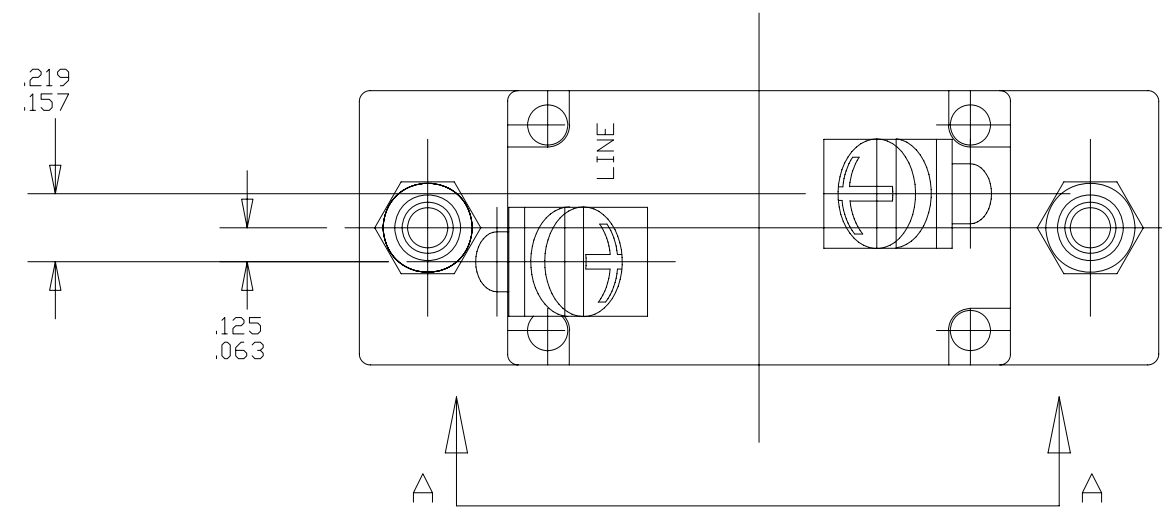
MAXIMUM OPERATING ALTITUDE: 70,000 FT.  
 WEIGHT: 39.0 GRAMS MAX.  
 MAXIMUM OPERATING FORCES:  
 PULL OUT-----6 LBS. MAX.  
 RESET-----6 LBS. MAX.

CURRENT INTERRUPTION CAPACITY: 4,000 A @ 30 VDC.  
 3,500 A @ 120 VAC, 400HZ.

ENDURANCE:  
 120 VAC-----400 HZ INDUCTIVE -----5000 CYCLES  
 120 VAC-----400 HZ RESISTIVE -----5000 CYCLES  
 30 VDC-----INDUCTIVE ----- 200 CYCLES  
 30 VDC-----RESISTIVE -----5000 CYCLES  
 NO LOAD-----MECHANICAL -----10000 CYCLES

CALIBRATION:

AMBIENT TEMP.	HOLD	TRIP
+25°C	115% RATING	145% RATING
-40°C	138% RATING	175% RATING
+71°C	80% RATING	125% RATING



NOTES:  
 1. EPOXY SURFACES ARE NON-DIMENSIONED, ENVELOPE DRAWING DIMENSIONS DO NOT APPLY TO THESE PROJECTED EPOXY SURFACES.

FOR REFERENCE ONLY, CHECK LATEST REVISION BEFORE USE. PARTS MADE TO THIS PRINT MUST CONFORM TO E9898 REV. E		529 PLEASANT STREET P.O. BOX 2964 ATTLEBORO, MA 02703	
DRAWN O. LARSEN DATE 03-MAY-1995 ENGINEER M. J. LAVADO DATE 03-MAY-1995 APPROVED H. HIRSBRUNNER DATE 16-MAY-1989 APPROVED PETER G. BERG DATE 03-MAY-1995	SENSATA TECHNOLOGIES PROPRIETARY AND CONFIDENTIAL. NEITHER THIS PRINT NOR THE INFORMATION CONTAINED HEREON IS TO BE USED AGAINST THE INTERESTS OF SENSATA TECHNOLOGIES OR AGAINST THE INTERESTS OF ANY OF ITS AFFILIATED COMPANIES OR WHOLLY OWNED SUBSIDIARIES. UNLESS OTHERWISE SPECIFIED DIMENSIONS ARE IN INCHES TOLERANCES DECIMALS ANGLES		TITLE 7270-7 TYPE TRIP FREE SWITCH TYPE CIRCUIT BREAKER ENVELOPE DRAWING
DO NOT SCALE DRAWING THIRD ANGLE PROJECTION	SCALE 2:1 AUTOCAD SHEET 1 OF 1	SIZE DWG NO. <b>7270-7</b>	REV. T
DEVICE:		PROJECT: 1	