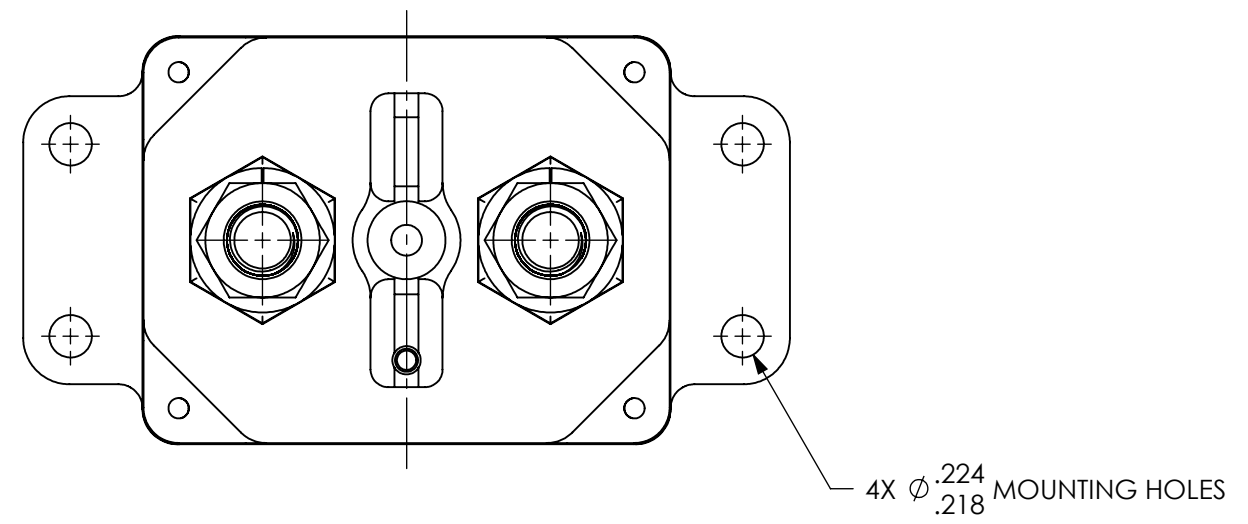
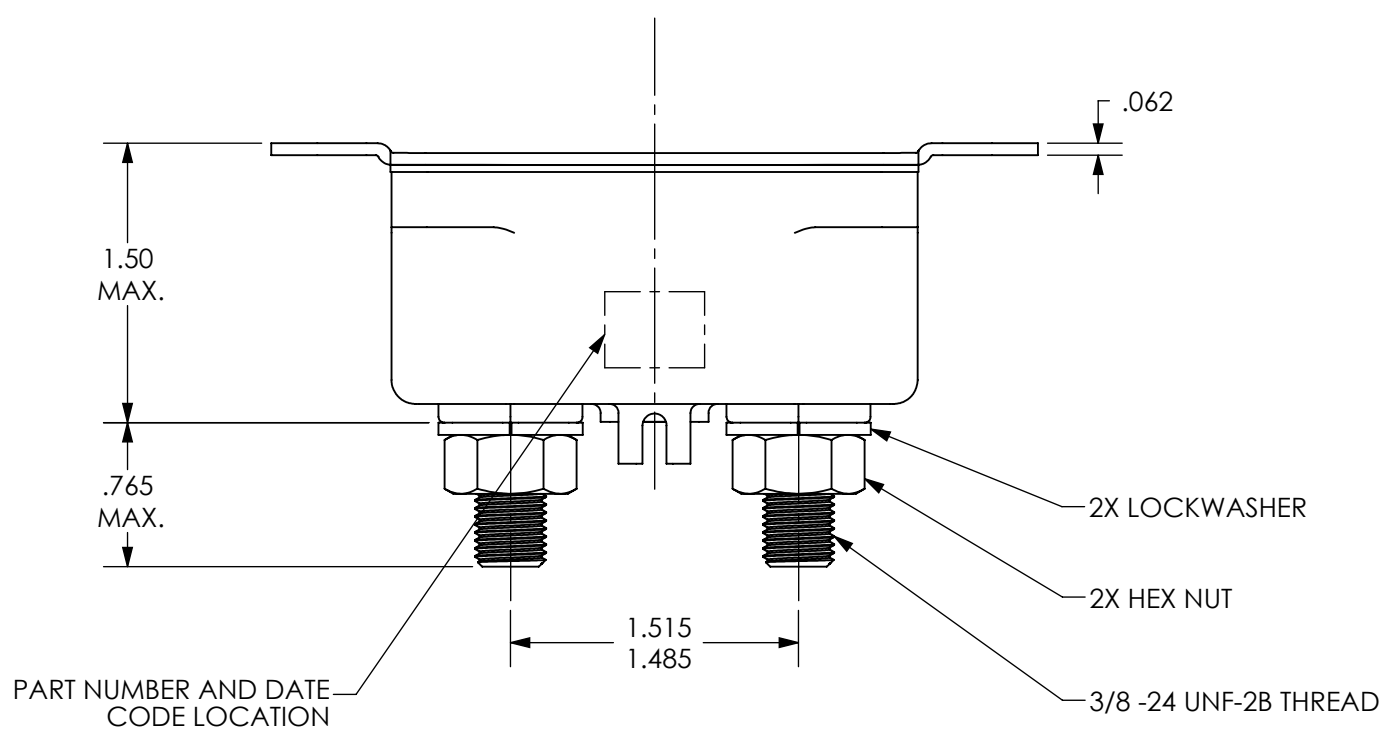
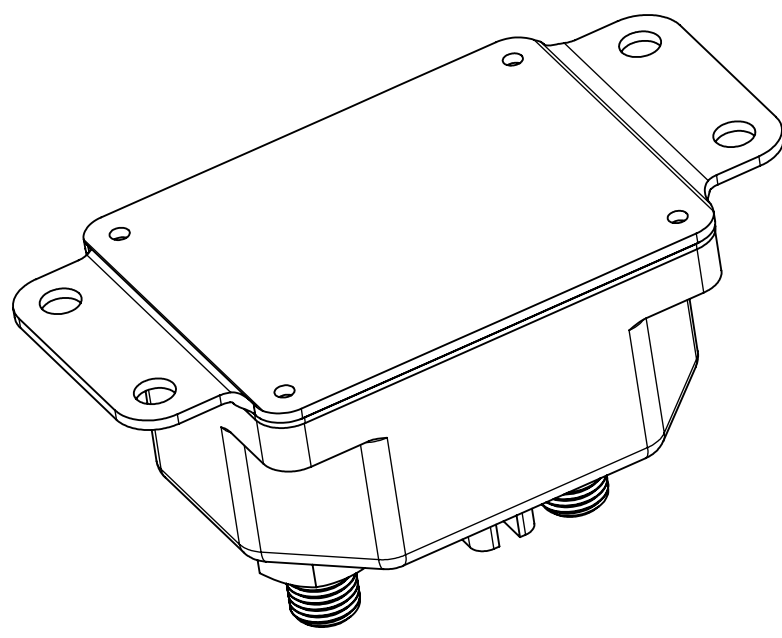
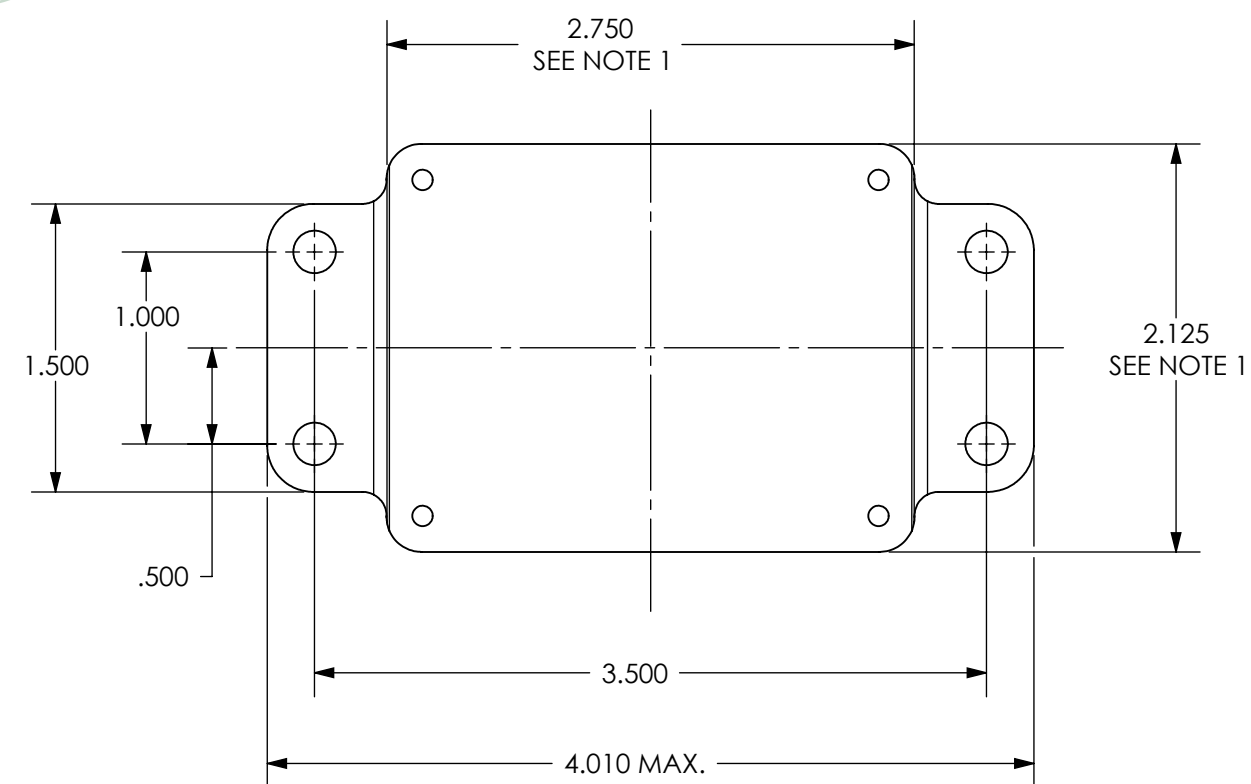


Property of
Sensata Technologies



ZONE	REV.	REVISION DESCRIPTION	ECN NO.	DATE
C1	M	VOLTAGE RATING WAS "30VDC/120VAC". INTERRUPT CAPACITY WAS "SAE J1625". ENDURANCE WAS "COMPLIES WITH SAE J1625". DELETED "VOLTAGE DROP: COMPLIES WITH WITH SAE J1625".	ECN0047114	21-JAN-2009
B1		DIELECTRIC STRENGTH WAS "1500 VAC MINIMUM". INSULATION RESISTANCE WAS "100 MOHMS MINIMUM". DELETED "SALT SPRAY: MIL-STD-202 METHOD 101D". CID NUMBER WAS "A-A-55571/8C"; PAF		

Performance Characteristics

Voltage Rating	30VDC
200% Overload 175-200 amps	8-100 seconds
Ultimate Trip % at 77° F rated current Minimum	100%
Maximum	138%
Interrupt Capacity Endurance	900 amps tested per SAE J1625 2000 cycles at 200% rated current
Dielectric Strength	1500 VAC minimum MIL-STD-202 method 301
Insulation Resistance	100 Mohms minimum MIL-STD-202 METHOD 302 condition B
Vibration Resistance	10G MIL-STD-202 Method 204 Condition A
Mechanical Shock Resistance	100G MIL-STD-202 Method 213 Condition C
Ignition Protected	SAE J1171
Weatherproof	SAE J1625
Weight:	237 Grams Max.
UL Listed	E 36869
CID number	A-A-55571/8

NOTES:
1. DIMENSION DOES NOT INCLUDE SEALING GASKET.

7855-7-200	200	A-A-55571/08-002
7855-7-175	175	A-A-55571/08-001
PART NO.	AMP RATING	CID NUMBER

FOR REFERENCE ONLY, CHECK LATEST REVISION BEFORE USE. PARTS MADE TO THIS PRINT MUST CONFORM TO E9898 REV. E.		529 PLEASANT STREET P.O. BOX 2964 ATTLEBORO, MA 02703	
DRAWN SHAW DATE 30-DEC-1954 ENGINEER H.EPSTEIN DATE 30-DEC-1954 APPROVED	SENSATA TECHNOLOGIES PROPRIETARY AND CONFIDENTIAL. NEITHER THIS PRINT NOR THE INFORMATION CONTAINED HEREON IS TO BE USED AGAINST THE INTERESTS OF SENSATA TECHNOLOGIES OR AGAINST THE INTERESTS OF ANY OF ITS AFFILIATED COMPANIES OR WHOLLY OWNED SUBSIDIARIES.	TITLE AUTOMATIC RESET CIRCUIT BREAKER	
DATE APPROVED	UNLESS OTHERWISE SPECIFIED DIMENSIONS ARE IN INCHES TOLERANCES DECIMALS ANGLES X.XXX ± 0.015	SIZE C	DWG NO. 7855-7 REV. M
DO NOT SCALE DRAWING	THIRD ANGLE PROJECTION	SCALE 1:1	SOLIDWORKS SHEET 1 OF 1
DATE	DEVICE: 7855-7	PROJECT: 1	