

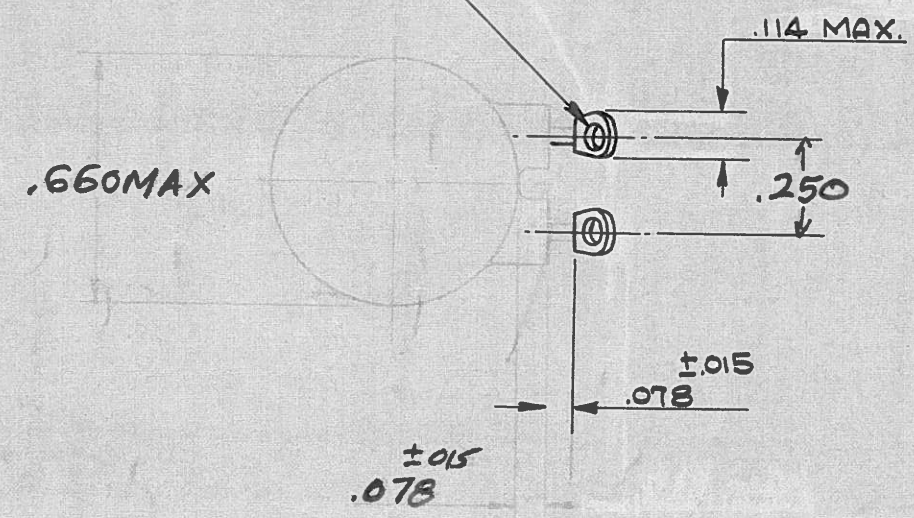
Property of
Sensata Technologies

COMPLETE PART NUMBERS FOR STANDARD TYPE M2
THERMOSTAT CONTAIN FOURTEEN CHARACTERS WITH
SIGNIFICANCE INDICATED BELOW.

SYM	DESCRIPTION	DATE	APPROVAL
	1ST. ISSUE C.R. 5411 H.H.	7-19-61	
A	SCALE YRS "FULL" J.D.M.	11-10-61	
B	DIM WAS .063±.005 TO .000 DIA HOLE & DELETED POST±.005 DIM. C.R. 6618 J.D.M.	2-19-62	
C	CHANGE NOTES TO TABLE FORM C.R. 10879 J.D.M.	11-11-63	
D	ADDED #6 TO FINISH C.R. 4963 J.D.M.	5-7-65	
E	ADDED #8 TO FINISH C.R. 32932 R.J.M.	2-25-97	

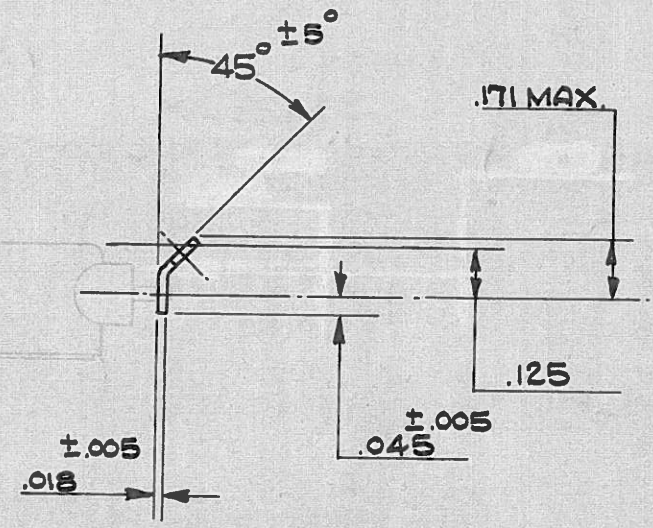
(B1)

±.005
.063 DIA. HOLE
(2-PLACES)



.300 MAX

(B2)



MR12 □ □ □ □ □ □ □ □ □ □

L = OPEN ON TEMPERATURE RISE +°F
F = CLOSE ON TEMPERATURE RISE +°F
B = OPEN ON TEMPERATURE RISE -°F
M = CLOSE ON TEMPERATURE RISE -°F

CLOSING TEMPERATURE °F

PLUS & MINUS TOLERANCE FOR
CLOSING TEMPERATURE.

DIFFERENTIAL:

05 INDICATES 2° - 5°F DIFF.
09 INDICATES 5° - 9°F DIFF.

CODE	FINISH
0	NONE
1	CADMIUM
2	COPPER NICKEL
3	BLACK CHROMATE
4	TINE PLATE
5	CHROMATE DIP (COPPER DIP OR EQUAL)
6	COPPER PLATE
7	
8	ZINC WITH OLIVE DRAB

CODE	CONTACTS
1	FINE SILVER
2	GOLD PLATED FINE SILVER

UNLESS OTHERWISE SPECIFIED
DIMENSIONS ARE IN INCHES
TOLERANCES ON
FRACTIONS DECIMALS ANGLES
— — — — — ±0.01

HOUGHTON 7-19-61

J. J. Sherty 7-19-61

M212 STYLE THERMOSTAT
SPST AUTO RESET SEALED
NARROW DIFFERENTIAL
ENVELOPE DWG

TEXAS INSTRUMENTS
INCORPORATED
METALS & CONTROLS DIVISION
ATTLEBORO, MASSACHUSETTS

SPENCER KIRTON PRODUCTS

M212