

# Quick Mount Relay Sockets

## JRE 2 Pole / 5 Amp / Size 20

### Quick Mount Relay Sockets



Replaces MIL-PRF-12883/41  
Mates with M83536 & M6106 Relays

#### Operating Range

**Temperature:**

-65°C to 125°C

**Insulation Resistance:**

1000 Megaohms Min.

**Dielectric Withstanding Voltage:**

1000 VRMS at Sea Level

500 VRMS at 80,000 ft.

**Vibration:**

MIL-STD-202, Method 204

Test Condition G

**Shock:**

MIL-STD-213, Method 213

Test Condition C

#### Materials

**Socket Body:**

Polythermide per ASTM-D5205

**Grommet:**

Silicone Rubber per A-A-59588

**Contact Retainers:**

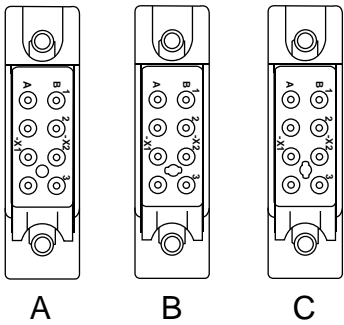
Stainless Steel

**Internal Socket Contacts:**

Copper Alloy, Hard Gold Finish

per SAE-AMS-2422

### Socket Configurations



### Extended Height Relay Sockets

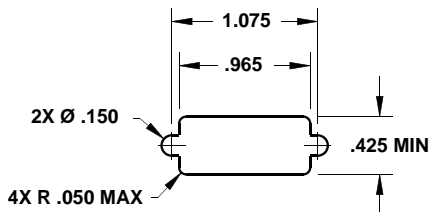
APCD P/N	QTY	Size	Contact	Mating Relay	Configuration
JRE200100	8	20/20	/101-533	M83536, M6106	A
JRE200200	8	20/20	/101-533	M83536, M6106	B
JRE200300	8	20/20	/101-533	M83536, M6106	C

*Applies to all plug-in type relays of these documents*

### Relay Socket Weight

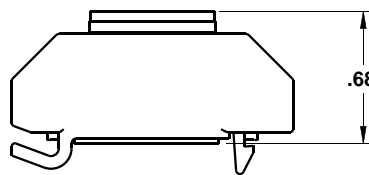
Relay Socket	Pounds	Grams
Low Profile	.042	19

### Recommended Mounting Panel Cutout

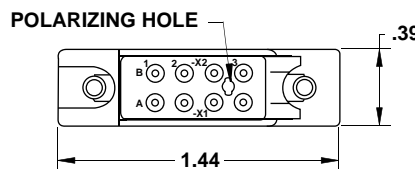


### Relay Socket Dimensions

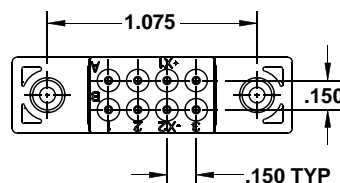
#### Side View



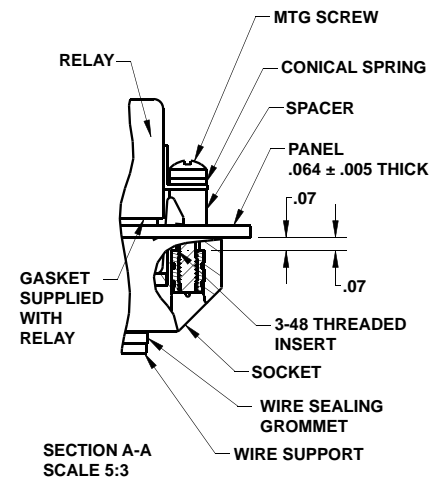
#### Top View



#### Bottom View



### Mounting Hardware



### Part Number Instructions

APCD P/N	Hardware	Contacts
JRE200100	NONE	NONE
JRE200101	NONE	YES
JRE200110	YES	NONE
JRE200111	YES	YES