

The Dynatime[®] Subminiature Event Counters

FEATURES

- Rugged Design
- Hermetically Sealed
- Qualified to MIL-I-8974
- Ruggedized Models Available

The Electrodynamic subminiature event counters were designed to meet the most difficult requirements of many military and aerospace applications. These rugged counters meet or exceed an array of tough environmental specifications including shock, vibration, temperature and are packaged in a hermetically sealed miniature enclosure. In addition, they have been approved to MIL-I-8974. A variety of mounting configurations are available as shown on pages 58 and 59. We also welcome inquires for special requirements.

The ruggedized event counters are assembled and filled with a dielectric lubricant that dampens the effects of extreme vibration and thermal shock.

Mechanical Specifications:

Case: Copper Nickel or Brass with flat black face. E and F mounts are nickel-plated case with flat black face.
Max. case length: 1.094 in.

Flange: Steel or Brass

Terminals: Solder Hook

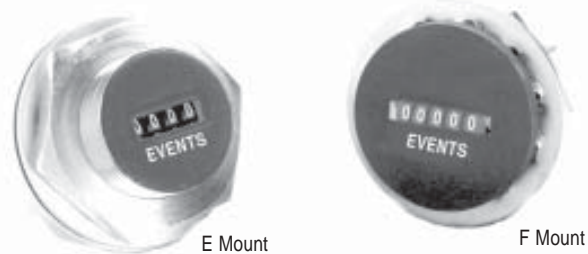
Weight: Standard: Will not exceed 1.0 ounces with C flange.
Ruggedized: Will not exceed 1.5 ounces with C flange.

Numerals: 0.035" wide, .078" high. All digits are white on black.

Electrical Specifications

Dielectric: 500 VRMS @ 80,000 feet

Insulation Resistance: MIL-STD-202, Method 302, Cond. B



Environmental Specifications

Operating Temperature Range: -65 to +125°C

Standard Ratings

Count Rate: 20 counts/second

Thermal Shock: MIL-STD-202, Method 107, Condition B

Shock: MIL-STD-202, Method 213, Condition I

Vibration: MIL-STD-202, Method 204, Condition B

Life: One million counts @ 25°C

Ruggedized Ratings

Count Rate: 10 counts/second

Thermal Shock: 5000 hrs. -55 to +125°C

Shock: MIL-STD-202, Method 213, Condition. I

Vibration: 10 - 90 Hz @ .07"DA, 90 - 400Hz @ 30g

Life: 50 million counts @ 25°C

ORDERING INFORMATION

When ordering, show model number first (B), then nominal voltage, case type, maximum counts (4 or 5 digit), mount type and mount setback desired. If this is a special part, customer's modification number will be added at the end of the ordering number. This order chart lists standard features. Other ratings and configurations are also available. Example: B-16-C8-CE-1

B - 16 - C - 8 - C - E - 1						
Model Number	Nominal Voltage	Case Type	Maximum Hours 4 Digit/5 Digit	Mount Type	Mount Setback	Popular Factory Codes Code: Description
B=Standard L=Ruggedized	16=26VDC Others Available	C=4 Digit Sqr G=5 Digit Rect F=6 Digit Rect	8=9999/N/A 9=99999 6=N/A999999	A = no mount Others available, see page 58	A = Flush B to Z = See Table B Page 60 for "X" Dimension Code desired.	1 Rotated 90° Type C, C7, V, W Mount 14 4-40 Clinch Nuts, For Type C Mount 16 Tin-plate 136 Tin plate frnt mt. Type C, C7, V & W

ELAPSED TIME INDICATORS
EVENT COUNTERS



The Dynatime®

Elapsed Time Indicators and Event Counters Standard Cases & Mounts

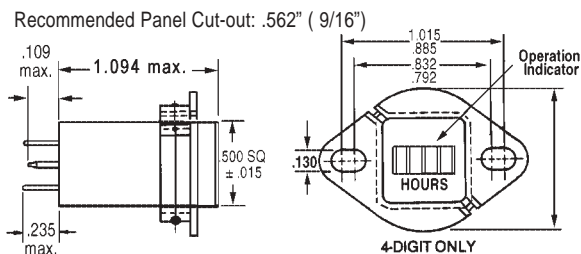


Figure 1. C2 ADJUSTABLE MOUNT

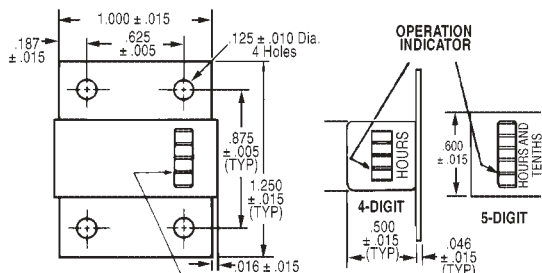


Figure 4. H MOUNT

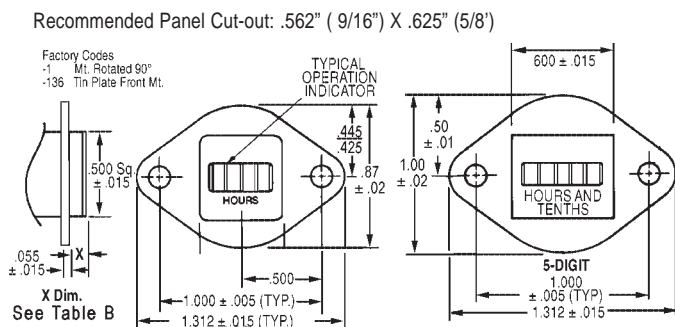


Figure 2 C & C7 MOUNTS

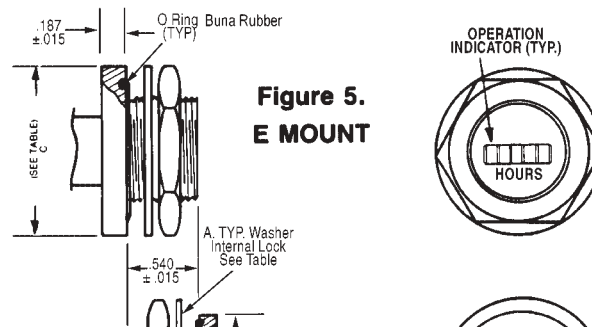


Figure 5. E MOUNT

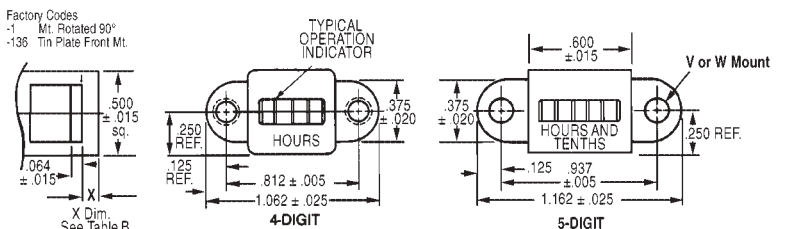


Figure 3. V & W MOUNTS

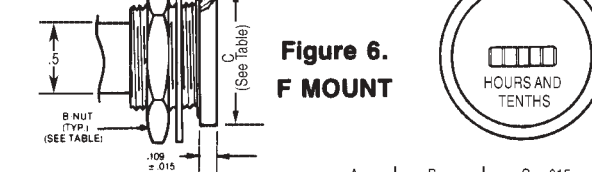


Figure 6. F MOUNT

	A	B	C ± .015
	Max. Dia.	(Nut)	E Mount F Mount
4 Digit	1.250	3/4"-32 UN	1.250 1.000
5 Digit	1.410	7/8"-20 UN	1.375

Round Cases & Mounts (for ETI only)

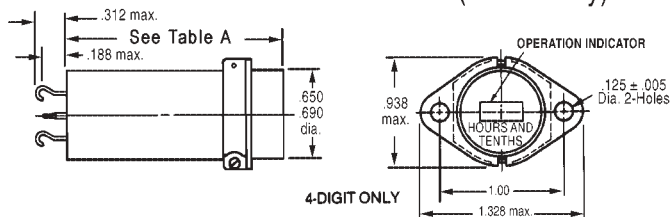


Figure 7. C2 ADJUSTABLE MOUNT

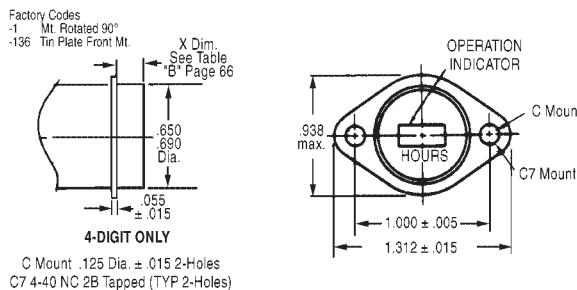


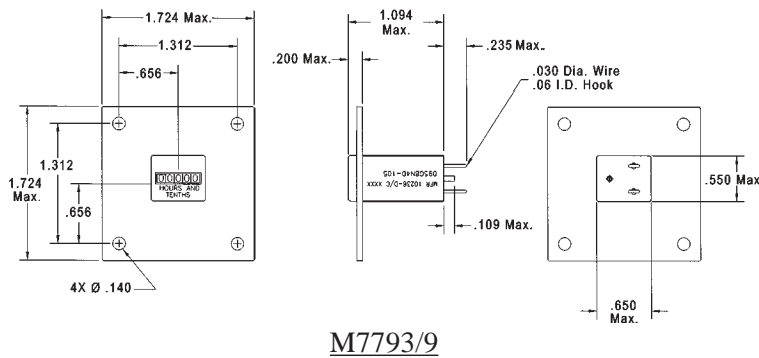
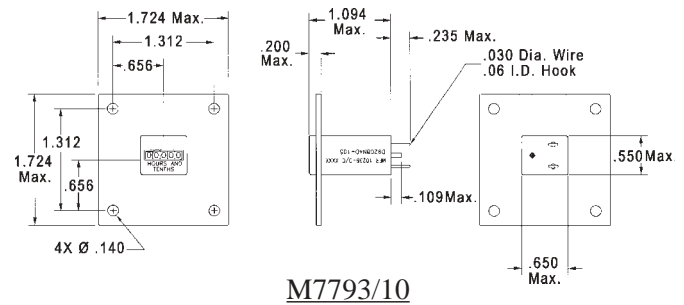
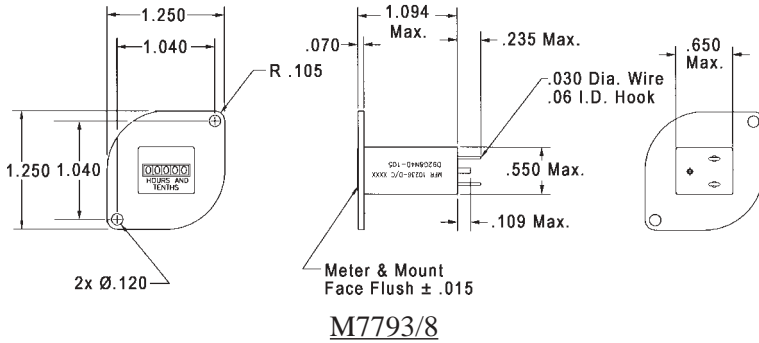
Figure 8. C & C7 MOUNTS

Elapsed Time Indicators & Event Counters

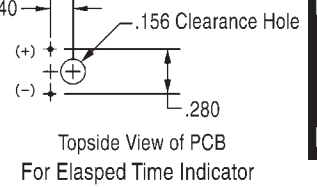
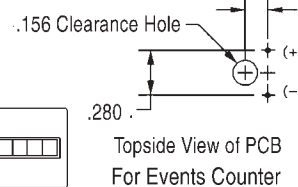
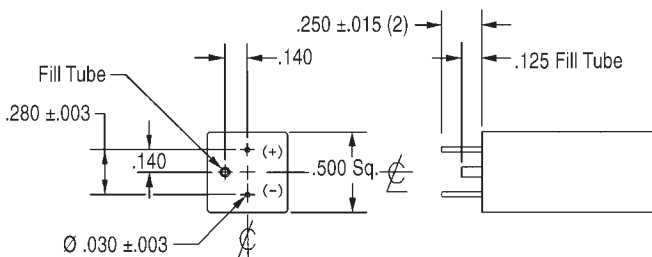
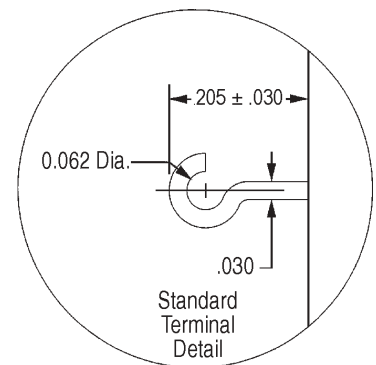
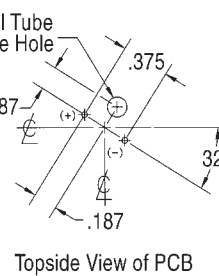
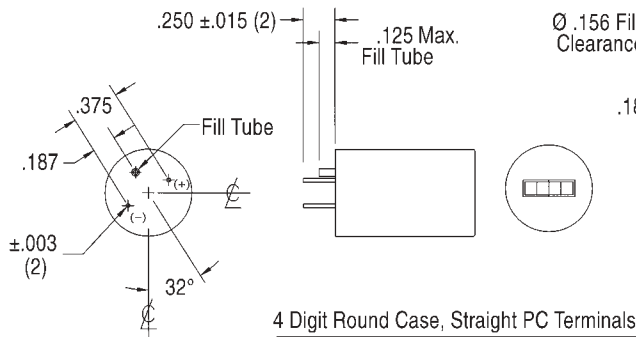
The Dynatime®

Elapsed Time Indicators and Event Counters

Standard Cases & Mounts



Standard and Straight Pin Headers





Military Elapsed Time Indicator Guide

Table A
Specifications

Nominal Voltage	Case Length Max. Inches	Electrodynamics Model Number	Fig. No.	Military Number		
		D16C8C*-16	2	M7793/1-XXX		
12 & 28 VDC	1.094 Short	D16C8C2	1	M7793/1-001		
		D16C8A	—	M7793/1-002		
		D16C8C*-136	2	M7793/1-XXX		
		D16B8C2	7	M7793/2-001		
		D16B8A	—	M7793/2-002		
		D16B8C*-136	8	M7793/2-XXX		
	2.082	16B8C2	7	M7793/5-001		
	2.082	16C8C-16	1	M7793/5-002		
		16C8B-16	2	M7793/1-XXX		
	115 VAC 60 Hz	1.094 Short	D92C8C2	1	M7793/3-001	
D92C8A			—	M7793/3-002		
D92C8C*-136			2	M7793/3-XXX		
D92B8C2			7	M7793/4-001		
D92B8A			—	M7793/4-002		
D92B8C*-136			8	M7793/4-XXX		
.765			D95B8C2	7	M7793/6-001	
1.094			D95C8C2	1	M7793/6-002	
115 VAC 400 Hz	1.094 Short	C7*-16	2	MS27651-XXA		
		C7*-1-16	2	MS27651-XXB		
		D95C8 C*-16	2	MS27651-XXC		
		C*1-16	2	MS27651-XXD		
		W*-16	3	MS27651-XXE		
		W*-1-16	3	MS27651-XXF		
		V*-16	3	MS27651-XXG		
		V*-1-16	3	MS27651-XXH		
		26 VAC 400 Hz MS27650	Replace D95 above with D25		Replace MS27651 above with	

Example: **D25C8CE-16 = MS27650-05C**

Table B
Mount Setback Data

M7793/1 to /4 Dash No.	MS21341, 27650, 27651 Dash No.	Setback ± .015 In.	"X" Dim. Code
-003	-01	Flush	A
-004	-02	.031	B
-005	-03	.062	C
-006	-04	.094	D
-007	-05	.125	E
-008	-06	.156	F
-009	-07	.188	G
-010	-08	.219	H
-011	-09	.250	I
-012	-10	.281	J
-013	-11	.321	K
-014	-12	.344	L
-015	-13	.375	M
-016	-14	.406	N
-017	-15	.438	O
-018	-16	.469	P
-019	-17	.500	R
-020	-18	.531	S
-021	-19	.562	T
-022	-20	.594	T-8
-023	-21	.625	U
-024	-22	.656	U-8
-025	-23	.688	V
-026	-24	.719	V-8
-027	-25	.750	W
-028	-26	.781	W-8
		.813	X
		.875	Y
		.938	Z

- Notes: 1. All meter readouts are to 9999 Hours, maximum.
 2. See Table B to select desired "X" Dim. (* in model no.) and corresponding military dash no. (xx & xxx).
 3. "-136" in model no. denotes tin-plated mount face; "-16" is same plus USAF testing; "-1" is mount rotated 90°.