

SWITCH CATALOG



Series - 8520-8522, 8526-8528

INDUSTRIAL - ENVIRONMENTALLY SEALED SWITCHES
Environmentally Sealed Toggle Switches
UL Recognized and CSA Certified

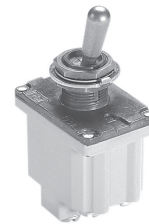
| FEATURES | | SPECIFICATIONS | | CURRENT RATINGS | | | | |
|--|--|----------------|----------------|--------------------|------|---------|--------|-------------|
| <ul style="list-style-type: none"> Completely sealed against dust, moisture, and other contaminants UL and CSA approved One hole mounted bushing for easy installation Multi-circuits offered 2 & 3 position with maintained and momentary action Molded-in terminal inserts and terminal numbers 1, 2 and 4 pole circuitry | <ul style="list-style-type: none"> Watertight seal per MIL-STD-108E and designed to meet IP68 Thermoset molding materials meet flame retardant requirements UL recognized and CSA certified per specifications listed below Temperature Range: -50°F to +150°F (-46°C to +66°C) Life: 20,000 operations at rated load 40,000 operations mechanical life 6,000 operations at HP ratings per UL and CSA requirements Bushing: 15/32" - 32 thread | No. of Poles | Catalog Number | Maximum Horsepower | | | | |
| | | | | Amperes | | 1 Phase | | 3 Phase |
| | | | | 125V | 250V | 125VAC | 250VAC | 125/250 VAC |
| | | 1 | 8520 | 18 | 9 | 1/4 | 1/2 | — |
| | | 2 | 8521 | 18 | 9 | 1/2 | 1 | — |
| 4 | 8522 | 18 | 9 | 1/2 | 1 | 1 | | |
| 1, 2, 4 | 8526 thru 8528 | 18 | 9 | — | — | — | | |

SELECTION TABLE

FLUSH TERMINAL SCREWS



8520/8526



8521/8527



8522/8528

| CIRCUIT WITH LEVER IN . . . | | | ONE POLE | TWO POLE | FOUR POLE |
|-----------------------------|-----------------|------------------------|----------------|----------------|----------------|
| Up Position | Center Position | Down Position (Keyway) | Catalog Number | Catalog Number | Catalog Number |
| | | | 8520K1 | 8521K1 | 8522K1 |
| ON | OFF | ON | K9 | K9 | K9 |
| ON | NONE | OFF | K4 | K4 | K4 |
| ON | NONE | ON* | 8526K5 | 8527K5 | 8528K5 |
| *ON | OFF | ON* | K2 | K2 | K2 |
| ON | OFF | ON* | 8526K3 | 8527K3 | 8528K3 |

* Momentary contact.

See page A71 for circuit diagrams.

UL & CSA Approval Numbers

UL - Where devices are UL recognized, recognition is listed under file number E15346; Guide card number is WOYR2.

CSA = Where devices are CSA certified, certification number is LR40068, class number 6241.

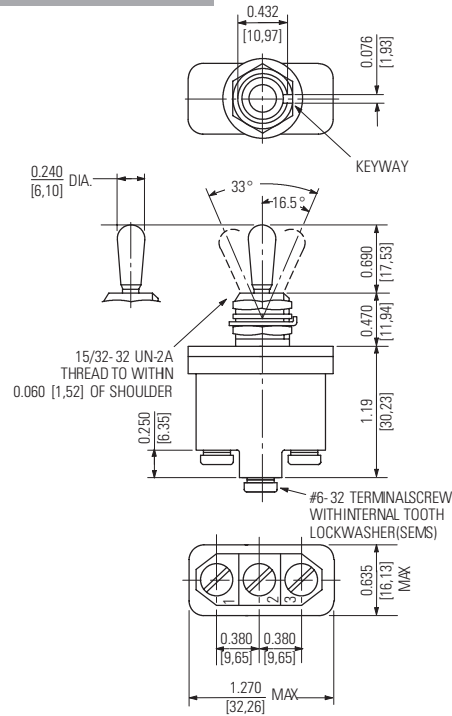
INDUSTRIAL - ENVIRONMENTALLY SEALED SWITCHES

Series - 8520-8522, 8526-8528

Environmentally Sealed Toggle Switches

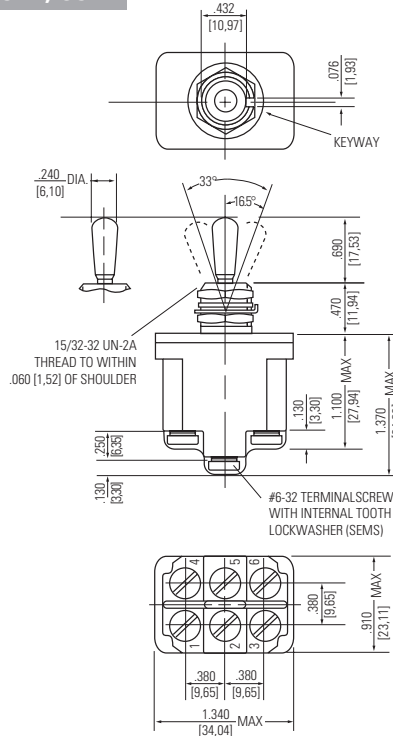
UL Recognized and CSA Certified

MOUNTING DIMENSIONS - ONE POLE / 8520, 8526



Terminal Identification

MOUNTING DIMENSIONS - TWO POLE / 8521, 8527



Terminal Identification

STANDARD
 0.00 = inches
 [0,0] = mm

Mounting dimensions for reference only.

Non-functional terminals not supplied.

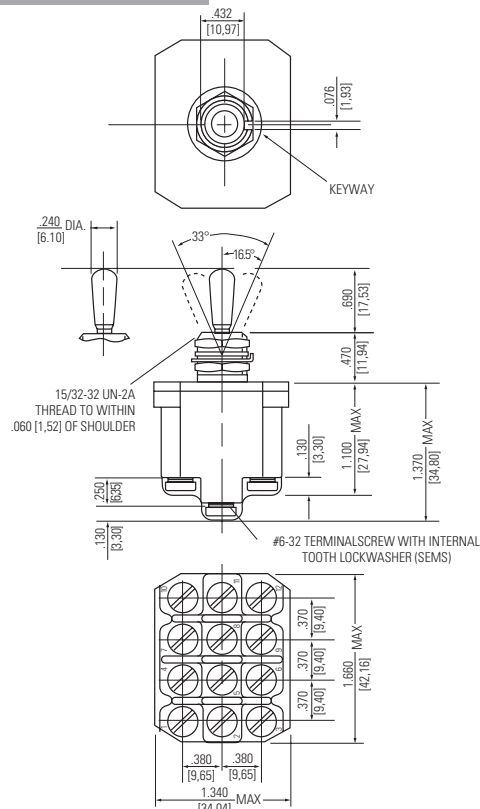
INDUSTRIAL - ENVIRONMENTALLY SEALED SWITCHES

Series - 8520-8522, 8526-8528

Environmentally Sealed Toggle Switches

UL Recognized and CSA Certified

MOUNTING DIMENSIONS - FOUR POLE / 8522, 8528



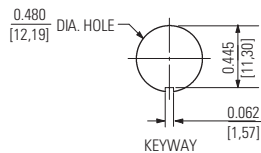
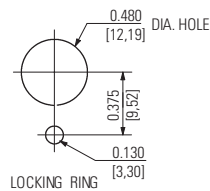
Terminal Identification

OPTIONS/ACCESSORIES

- Special mounting hardware
- Mounting hardware furnished assembled
- Terminal screws furnished assembled
- Special circuits
- Panel seal, part number 32-341
- Spade terminal adapters available

PANEL CUTOUT

15/32 DIA. BUSHING



STANDARD
0.00 = inches
[0,0] = mm

Mounting dimensions for reference only.

Non-functional terminals not supplied.