

SWITCH CATALOG



ECONOSWITCH - ENVIRONMENTALLY SEALED SWITCHES







Series - 8533, 8534, 8535

Econoswitch Sealed Designerline Toggle Switches

FEATURES		SPECIFICATIONS		CURRENT RATINGS						
<ul style="list-style-type: none"> Environmentally sealed 1, 2 and 4 pole circuitry One hole mounting for easy installation Variety of lever styles and colors Color-coded, shaped levers for operator feel and cosmetic appearance 2 & 3 position with maintained and momentary action Three types of termination offered as standard Multi-circuits Also available with toggle and lever lock Actuator. For details, see page A11 for toggles and page A14 for lever locks. 	<ul style="list-style-type: none"> Watertight seal per MIL-STD-108E designed to meet IP68 UL recognized and CSA certified Bushing: 15/32" - 32 thread Temperature range: -50°F to +150°F (-46°C to + 66°C) Life: 50,000 operations at rated load 100,000 operations mechanical life 	No. of Poles	Catalog Number	Type of Operation	28VDC			115 VAC 60 or 400Hz		
					Lamp Load	Resistive Load	Inductive Load	Lamp Load	Resistive Load	Inductive Load
		1	8533	Maintained	5	20	15	3	15	10
				Momentary	4	15	10	2	11	7
		2	8534	Maintained	7	20	15	4	15	15
				Momentary	5	18	10	2	11	8
		4	8535	Maintained	5	20	12	4	15	15
				Momentary	4	18	10	2	11	8

For the UL/ CSA ratings, see page A70.

SELECTION TABLE

	CIRCUIT WITH LEVER IN . . .			CATALOG NUMBER						
	Up Position	Center Position	Down Position (Keyway)	Screw Terminals ①	Solder Lug Terminals ①	Spade Terminals ①	Shape Suffix ②	Color Letter	Suffix Number	
										
	ONE POLE									
8533 	ON	OFF	ON	8533K1	8533K91	8533K31				
	ON	NONE	OFF	K9	K99	K39				
	ON	NONE	ON	K4	K94	K34	All	White	21	
	ON	OFF	NONE	K6	K96	K36				
	ON	NONE	ON*	8533K5	8533K95	8533K35	All	Red	22	
	* ON	OFF	ON*	K2	K92	K32				
	NONE	OFF	ON*	K7	K97	K37				
	ON	NONE	OFF*	K10	K910	K310				
	OFF	NONE	ON*	K11	K911	K311	All	Black	27	
	* ON	OFF	ON*	8533K3	8533K93	8533K33				
ON	ON	NONE	K12	K912	K312					
ON	ON	NONE	K13	K913	K313					
	TWO POLE									
8534 	ON	OFF	ON	8534K1	8534K91	8534K31				
	ON	NONE	OFF	K9	K99	K39				
	ON	NONE	ON	K4	K94	K34	All	White	21	
	ON	OFF	NONE	K6	K96	K36				
	ON	NONE	ON*	8534K5	8534K95	8534K35	All	Red	22	
	* ON	OFF	ON*	K2	K92	K32				
	NONE	OFF	ON*	K7	K97	K37				
	ON	NONE	OFF*	K10	K910	K310				
	OFF	NONE	ON*	K11	K911	K311				
	ON	OFF	ON*	8534K3	8534K93	8534K33	All	Black	27	
* ON	ON	NONE	K12	K912	K312					
ON	ON	NONE	K13	K913	K313					
ON	ON	ON	8534K14	8534K914	8534K314					
ON	ON	ON*	K15	K915	K315					
* ON	ON	ON*	K16	K916	K316					
	FOUR POLE									
8535 	ON	OFF	ON	8535K1	8535K91	8535K31				
	ON	NONE	OFF	K9	K99	K39				
	ON	NONE	ON	K4	K94	K34	All	White	21	
	ON	OFF	NONE	K6	K96	K36				
	ON	NONE	ON*	8535K5	8535K95	8535K35	All	Red	22	
	* ON	OFF	ON*	K2	K92	K32				
	NONE	OFF	ON*	K7	K97	K37				
	ON	NONE	OFF*	K10	K910	K310				
	OFF	NONE	ON*	K11	K911	K311				
	ON	OFF	ON*	8535K3	8535K93	8535K33	All	Black	27	
* ON	ON	NONE	K12	K912	K312					
ON	ON	NONE	K13	K913	K313					
ON	ON	ON	8535K15	8535K915	8535K315					
ON	ON	ON*	K16	K916	K316					
* ON	ON	ON*	K17	K917	K317					

* Momentary contact.

① A complete catalog number consists of a basic switch number followed by a lever shape suffix letter and a two-digit lever color suffix number. Example: 8533K91E27.

See page A71 for circuit diagrams.

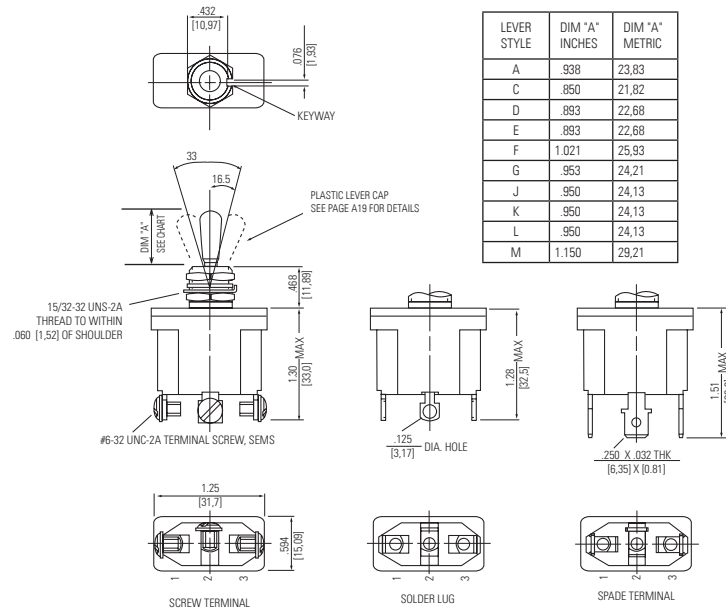
② Select lever shape suffix letter from page A19.

ECONOSWITCH - ENVIRONMENTALLY SEALED SWITCHES

Series - 8533, 8534, 8535

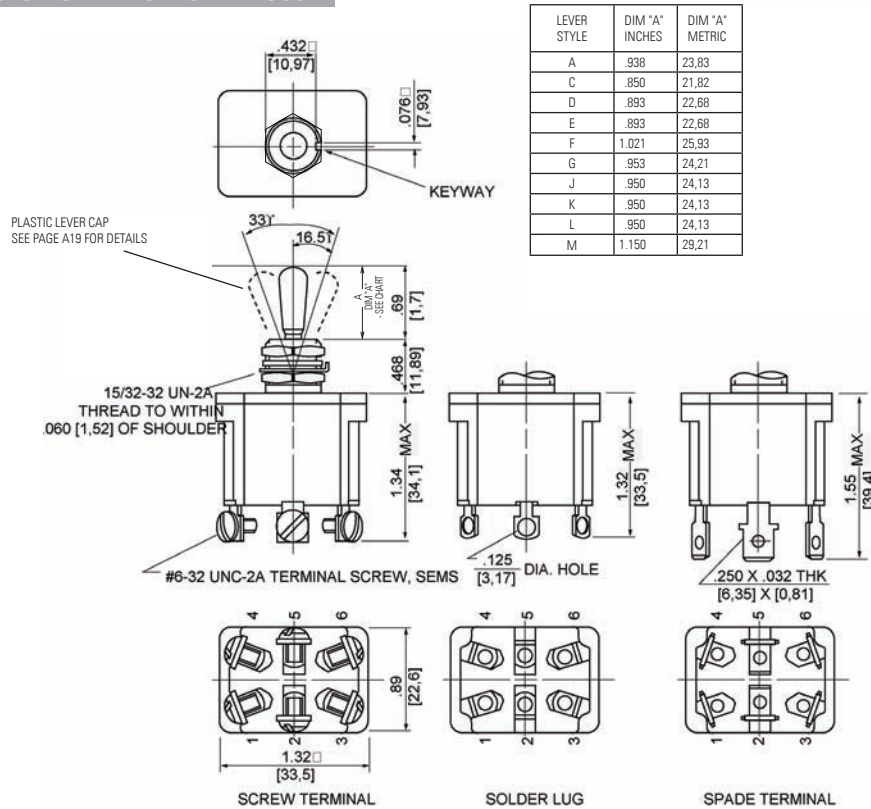
Econoswitch Sealed Designerline Toggle Switches

MOUNTING DIMENSIONS - ONE POLE / 8533



Terminal Identification

MOUNTING DIMENSIONS - TWO POLE / 8534



Terminal Identification

STANDARD
0.00 = inches
[0,0] = mm

Mounting dimensions for reference only.

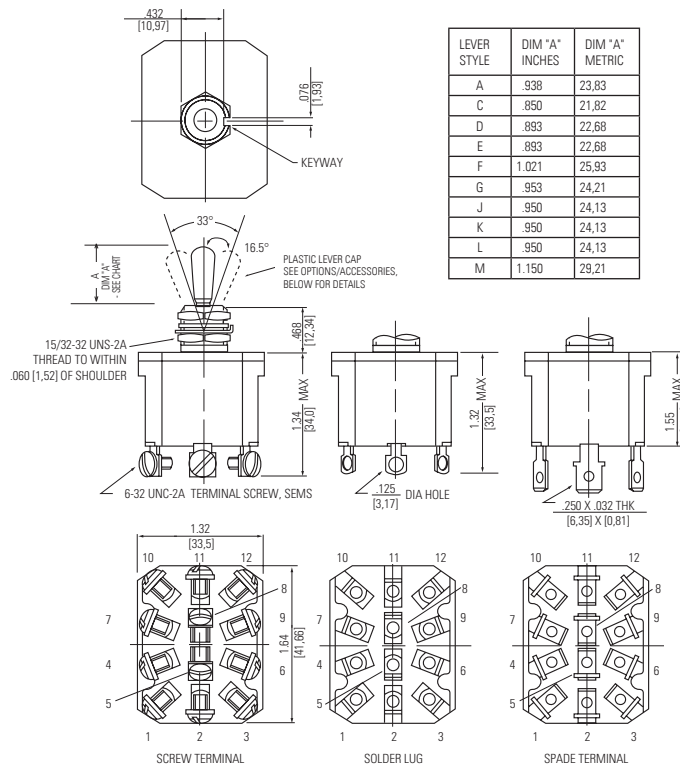
Non-functional terminals not supplied.

ECONOSWITCH - ENVIRONMENTALLY SEALED SWITCHES

Series - 8533, 8534, 8535

Econoswitch Sealed Designerline Toggle Switches

MOUNTING DIMENSIONS - FOUR POLE / 8535

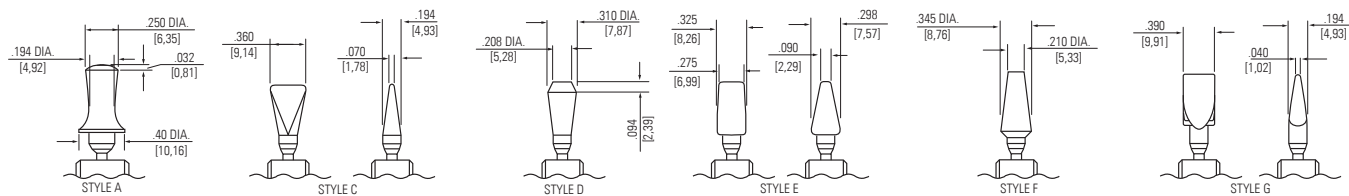


Terminal Identification

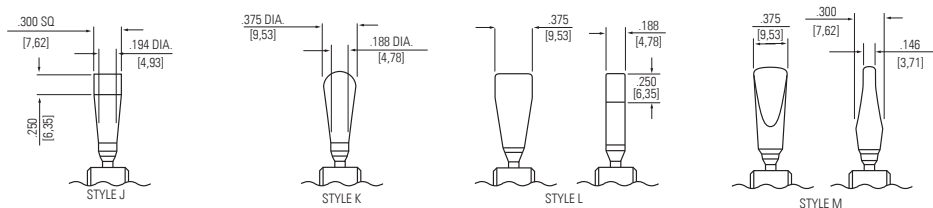
Non-functional terminals not supplied.

OPTIONS/ACCESSORIES

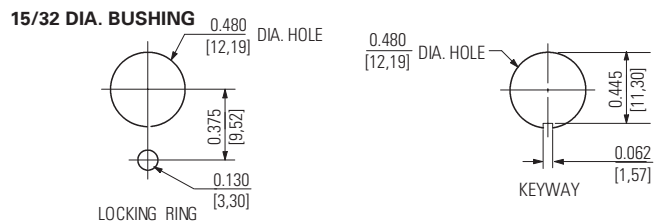
- Standard colors available - White, red and black



- Special mounting hardware
- Mounting hardware furnished assembled
- Special circuits
- Panel seal, Part Number 32-341



PANEL CUTOUT DIMENSIONS



STANDARD
0.00 = inches
[0,0] = mm

Mounting dimensions for reference only.