

SWITCH CATALOG



ENVIRONMENTALLY SEALED ROCKER SWITCHES

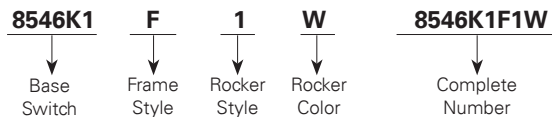
Series - 8546, 8547, 8548 MIL-M3950/14 Environmentally Sealed Rocker Switches

FEATURES		SPECIFICATIONS		CURRENT RATINGS					
<ul style="list-style-type: none"> Environmentally sealed 1, 2 and 4 pole circuitry 2 & 3 position with maintained and momentary action Rocker button is removable for decal or icon interchangeability Multi-circuit Molded-in inserts and terminal numbers Panel mounting variations <ul style="list-style-type: none"> Flush panel Sub-panel Rocker button variations <ul style="list-style-type: none"> Smooth and serrated in opaque colors Transparent Translucent 	<ul style="list-style-type: none"> MS approved and QPL'd per MIL-DTL-3950 Thermoset molding materials meet flame retardant requirements Temperature range: -67°F to +160°F (-55°C to + 71°C) Life: 20,000 operations at rated load 40,000 operations mechanical life 	28VDC			115VAC 60 or 400Hz				
		No. of Poles	Catalog Number	Type of Operation	Resistive Load	Inductive Load	Lamp Load	Resistive Load	Inductive Load
1	8546	Maintained	20	15	5	15	10	3	
		Momentary	15	10	4	15	7	2	
2	8547	Maintained	20	15	7	15	15	4	
		Momentary	18	10	5	11	8	2	
4	8548	Maintained	20	12	5	15	15	4	
		Momentary	18	10	4	11	8	2	

WHEN ORDERING SPECIFY . . .

- Catalog number of base switch followed by suffix letters and numbers for mounting bracket, rocker color and style as listed in selection table.

Order Example:



Sub-Panel Mounting



Flush Panel Mounting

SELECTION TABLE

CIRCUIT WITH LEVER IN . . .			BASE CATALOG NUMBER ^②											
Up Position	Center Position	Down ^① Position (Keyway)	Single Pole		Double Pole		Four Pole		Frame Style	Code Letter	Rocker Style	Code Letter	Rocker Color	Code Letter
			LPS	M3950/14A ^③	LPS	M3950/14B ^③	LPS	M3950/14C ^③						
ON	OFF	ON	8546K1	M3950/14A21	8547K1	M3950/14B21	8548K1	M3950/14C21						
ON	NONE	OFF	K9	A22	K9	B22	K9	C22						
ON	NONE	ON	K4	A23	K4	B23	K4	C23					White	W
ON	OFF	NONE	K6	A24	K6	B24	K6	C24						
ON	NONE	ON*	K5	A26	K5	B26	K5	C26	Flush	F	Smooth	1	Red	R
* ON	OFF	ON*	K2	A27	K2	B27	K2	C27						
NONE	OFF	ON*	K7	A28	K7	B28	K7	C28						
ON	NONE	OFF*	K10	A29	K10	B29	K10	C29					Black	B
OFF	NONE	ON*	K11	A30	K11	B30	K11	C30						
ON	OFF	ON*	K3	A31	K3	B31	K3	C31	Sub	S	Serrated	2		
* ON	ON	NONE	K12	A32	K12	B32	K12	C32					Translucent	T
ON	ON	NONE	K13	A33	K13	B33	K13	C33						
ON	ON	ON			K15	B34	K15	C34						
ON	ON	ON*			K16	B35	K16	C35					Transparent	C
* ON	ON	ON*			K17	B36	K17	C36						

*** Momentary Circuit.**

See pages C26-C27 and C29-31 for circuit diagrams.

^① Identification lug side.

^② Incomplete Catalog Number - add suffix letters and numbers for Frame Style, Rocker Style and Rocker Color - see "When Ordering Specify."

^③ Incomplete military part number - add suffix codes for Frame Style, Rocker Style and Rocker Color for complete military part number. (i.e. M3950/14A21F1W).

REPLACEMENT BUTTON SELECTION TABLE

Color	Part Number (Smooth Button)
White	53-2161-2
Red	53-2161-3
Black	53-2161-4
Translucent	53-2415
Transparent	53-2161-6

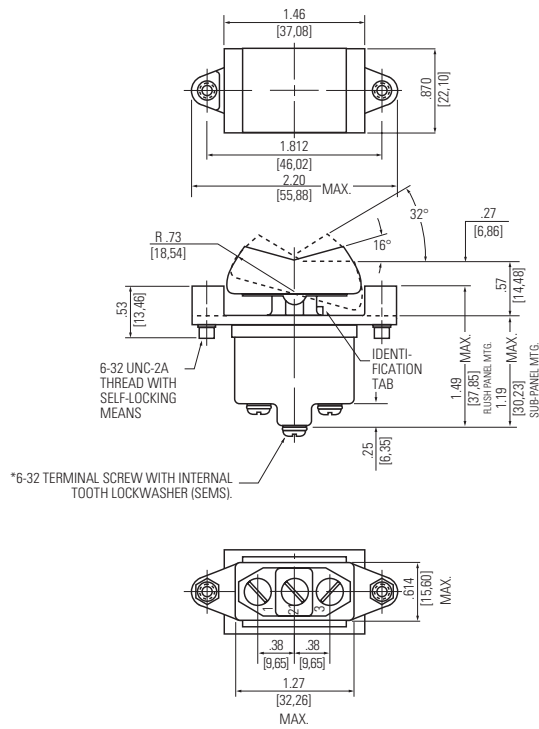
ENVIRONMENTALLY SEALED ROCKER SWITCHES

Series - 8546, 8547, 8548

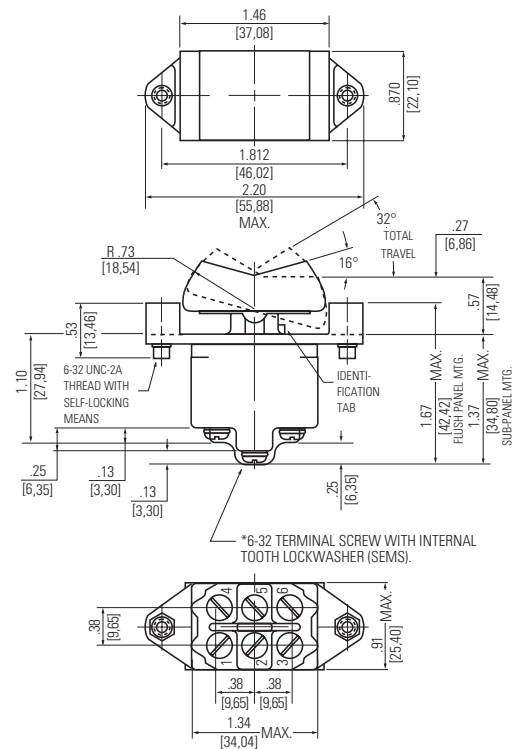
MIL-M3950/14

Environmentally Sealed Rocker Switches

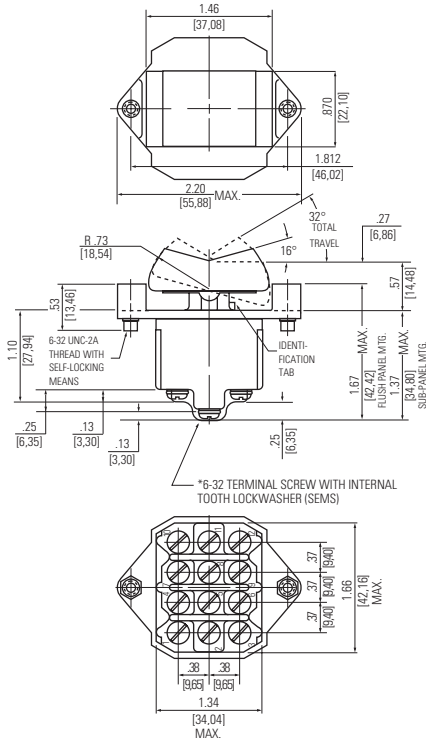
DIMENSIONS - ONE POLE / 8546



DIMENSIONS - TWO POLE / 8547



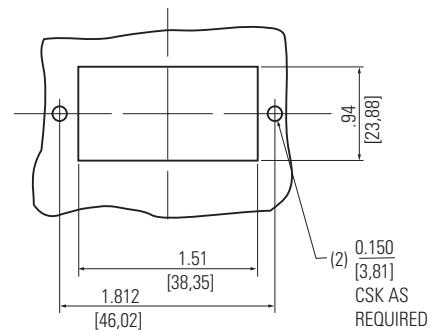
DIMENSIONS - FOUR POLE / 8548



OPTIONS/ACCESSORIES

- Special color rockers
- Hot branded lettering on rockers - smooth rockers only
- Spade terminals
- Special spade terminal adapters (0.250") [6.35]
- Special marking on switches
- Optional Actuator

RECOMMENDED PANEL CUT-OUT



STANDARD

0.00 = inches

[0,0] = mm

Mounting dimensions for reference only.