

SWITCH CATALOG



HIGH CAPACITY SWITCHES

Series - 8780-82, 8790 & 8792

High Capacity Flush Mounted Switches

FEATURES		SPECIFICATIONS		CURRENT RATINGS						
<ul style="list-style-type: none"> • 1 and 3 pole circuitry • Flush mounted (5 holes required) • High capacity ratings • Terminal stud termination 	<ul style="list-style-type: none"> • Designed and built to AN3230 and E1663 specifications • Current ratings up to 175 Amp on AN3230 type and 80 Amp on E1663 type • Temperature Range: -67°F to +160°F (-55°C to +71°C) • Life: 10,000 operations at rated load 20,000 operations mechanical life • Power studs have .250" [6,35] -20 threads 	No. of Poles	Catalog Number	Type of Operation	28VDC			115VAC 60 or 400Hz		
					Lamp Load	Resistive Load	Inductive Load	Lamp Load	Resistive Load	Inductive Load
		1	8780K11 8781K11 8782K11	Maintained	35	175	45	11	55	45
		3	8790K4 8792K3	Maintained	12	80	30	75	30	20

SELECTION TABLE

CIRCUIT WITH LEVER IN . . .



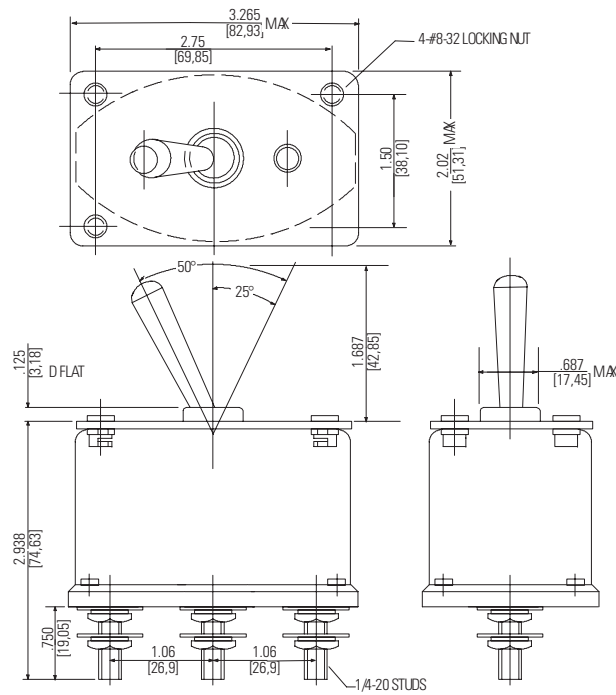
Up Position	Center Position	Down Position (Keyway)	①	①	①
			MS or Government Drawing Number	AN Part Number	Catalog Number
One Pole - High Capacity					
ON	OFF	ON	—	AN3230-1	8780K11
ON	NONE	OFF	—	-2	8781K11
ON	NONE	ON	—	-3	8782K11
Three Pole - High Capacity					
ON	OFF	ON	E1663-1	—	8790K4
ON	NONE	ON	-3	—	8792K3

① Reference only cancelled government numbers

Series - 8780, 8790

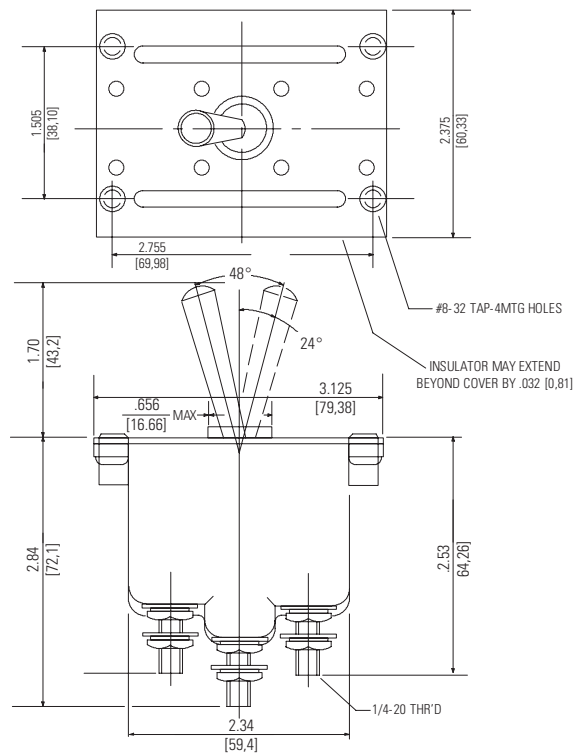
HIGH CAPACITY SWITCHES
High Capacity Flush Mounted Switches

MOUNTING DIMENSIONS - ONE POLE / 8780, 8781, 8782



Terminal Identification

MOUNTING DIMENSIONS - THREE POLE / 8790, 8792



Terminal Identification

STANDARD
0.00 = inches
[0,0] = mm

Mounting dimensions for reference only.

Non-functional terminals not supplied.