

# SWITCH CATALOG

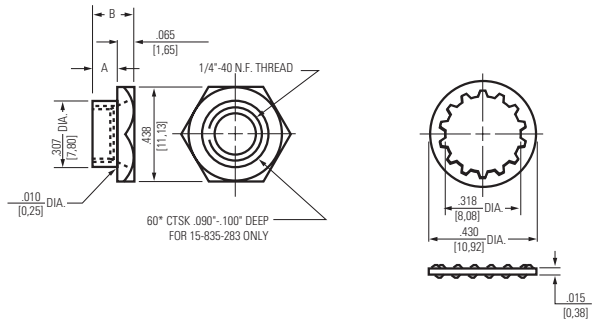


# ACCESSORIES

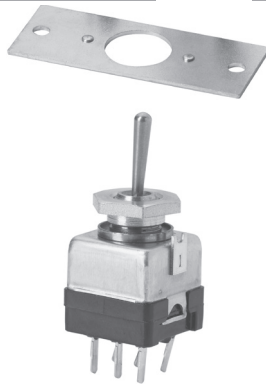
## Adapter Nut and Attachable Tips

### MOUNTING ADAPTER NUT FOR MINIATURE POSITIVE ACTION

- For 8866 and 8867 type miniature switches
- Facilitates thick panel mounting
- Three adapter sizes available



### SELECTION TABLE



Dimension "A"	Dimension "B"	Panel Thickness (in.)		Part Number
		Standard Without Optional Lockwasher	With Optional Lockwasher Pt. No. 16-1880	
.067 [1,70] .077 [1,95]	.137 [3,47] Nominal	.107 [2,71] .157 [3,98]	.090 [2,28] .140 [3,55]	15-835
.129 [3,27] .139 [3,53]	.199 [5,05] Nominal	.169 [4,29] .219 [5,56]	.152 [3,86] .202 [5,13]	15-835-3
.192 [4,87] .202 [5,13]	.262 [6,65] Nominal	.232 [5,89] .282 [7,16]	.215 [5,46] .265 [6,73]	15-835-2

**Mounting Adapter Nut**

### ATTACHABLE TIPS

- Facilitates identification of various switch functions
- 24-1939 tips nickel-plated for corrosion resistance
- 24-1939 tips snap on and are held by strong clip action at the base
- Vinyl slip-on lever caps available for both miniature and standard bat lever switches

### SELECTION TABLE



**Part Numbers**  
49-4307 and 49-4308

**Part Numbers**  
49-4157 thru 49-4159

Application	Type of Tip	Government Part Number	Part Number
<b>Attachable Tips</b>			
Standard Bat Lever Switches	Fluorescent	AN3221-1	24-1939
<b>Vinyl Slip-On Lever Caps</b>			
Standard Bat Lever Switches	Black	-	49-4307
	Red	-	49-4308
Miniature Bat Lever Switches	Black	-	49-4157
	Red	-	49-4158
	White	-	49-4159



**Part Number**  
24-1939