

Ratings

SPDT (1 form C) or DPDT (2 form C)
contacts, 3 amp @ 29VDC

Description

High performance, long-size crystal
can relay
Hermetically sealed with welded
construction
High shock and vibration performance
with rotary armature design
Bifurcated contacts for low level
switching
Maximum contact force through
unique design
Low-profile, high-sensivity packaging

Performance Data

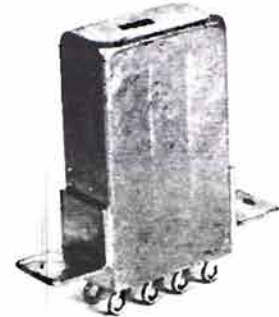
Operate Time: 15ms maximum
Release Time: 10ms maximum
Initial Contact Resistance: 0.05 ohms max.
Contact Arrangement: SPDT or DPDT
Insulation Resistance: 1000 megohms
min.

Contact Rating:

Non-inductive and low level
3 amp @ 29VDC;
1 amp @ 115VAC, 60 to 400Hz,
(10, case ungrounded)
0.3 ampere at 115V, 60 to 400Hz,
(10, case grounded)
Inductive—consult factory
Higher AC ratings available—
consult factory
Sensitivity: SPDT—24 milliwatts
DPDT—40 milliwatts
Dielectric Strength
.1000V rms at sea level
500V rms across open contacts
350V rms at 80,000 feet
Vibration: 5-55Hz at 0.1 inch double
amplitude, 55-2000Hz at a constant
15g, 20g available on request
Shock: 50g operational
Ambient Temperature: -65°C to 125°C

Approvals

MIL-R-5757/13 as applicable.



Type Designation and Coil Data

WJS-3D (25 Milliwatt Average Sensitivity) SPDT						
Relay Type	DC Nominal Coil Data		Max. Pick-up	Drop Out Milli-Amperes		
	Milliamperes	Ohms*		Max.	Min.	
WJS-3D-35.0 mADC	52.5	20	35.0	17.5	3.5	
WJS-3D-15.8 mADC	23.5	100	15.8	7.9	1.58	
WJS-3D-7.2 mADC	10.8	500	7.2	3.6	.72	
WJS-3D-5.0 mADC	7.5	1000	5.0	2.5	.50	
WJS-3D-4.1 mADC	6.1	1500	4.1	2.0	.41	
WJS-3D-3.5 mADC	5.2	2000	3.5	1.7	.35	
WJS-3D-3.2 mADC	4.8	2500	3.2	1.6	.32	
WJS-3D-2.2 mADC	3.3	5000	2.2	1.1	.22	
WJS-3D-1.8 mADC	2.7	8000	1.8	.9	.18	
WJS-3D-1.6 mADC	2.4	10,000	1.6	.8	.16	

*D-C Resistance—Standard Tolerance $\pm 10\%$.
Other values of resistance for different current ratings can be supplied
Dimensions, Terminal and Mounting Variations, on next page.

WJS-6D (40 Milliwatt Average Sensitivity) DPDT						
Relay Type	DC Nominal Coil Data		Max. Pick-up	Drop Out Milli-Amperes		
	Milliamperes	Ohms*		Max.	Min.	
WJS-6D-45.0 mADC	67.5	20	45.0	22.5	4.5	
WJS-6D-20.0 mADC	30.0	100	20.0	10.0	2.0	
WJS-6D-9.0 mADC	13.5	500	9.0	4.5	.9	
WJS-6D-6.3 mADC	9.4	1000	6.3	3.1	.63	
WJS-6D-5.2 mADC	7.8	1500	5.2	2.6	.52	
WJS-6D-4.5 mADC	6.7	2000	4.5	2.2	.45	
WJS-6D-4.0 mADC	6.0	2500	4.0	2.0	.40	
WJS-6D-2.8 mADC	4.2	5000	2.8	1.4	.28	
WJS-6D-2.3 mADC	3.4	8000	2.3	1.1	.23	
WJS-6D-2.0 mADC	3.0	10,000	2.0	1.0	.20	

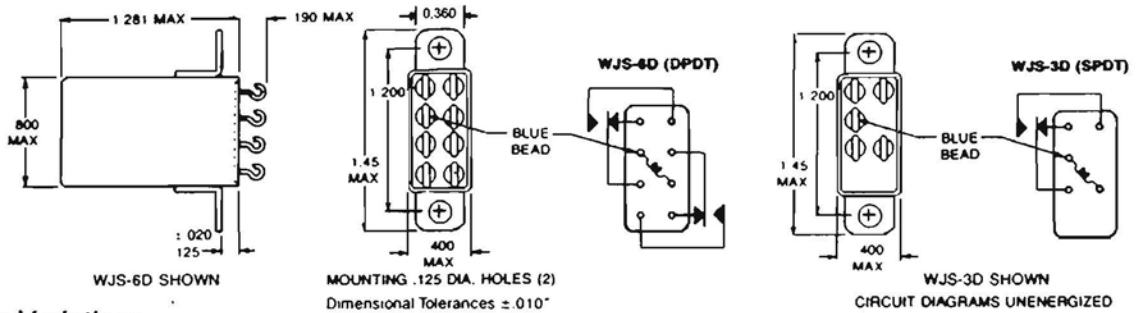
Ordering Information

WJS I II III IV

- I. Mounting and terminal variation
- II. 3D (SPDT) or 6D (DPDT)
- III. Coil current
- IV. MADC

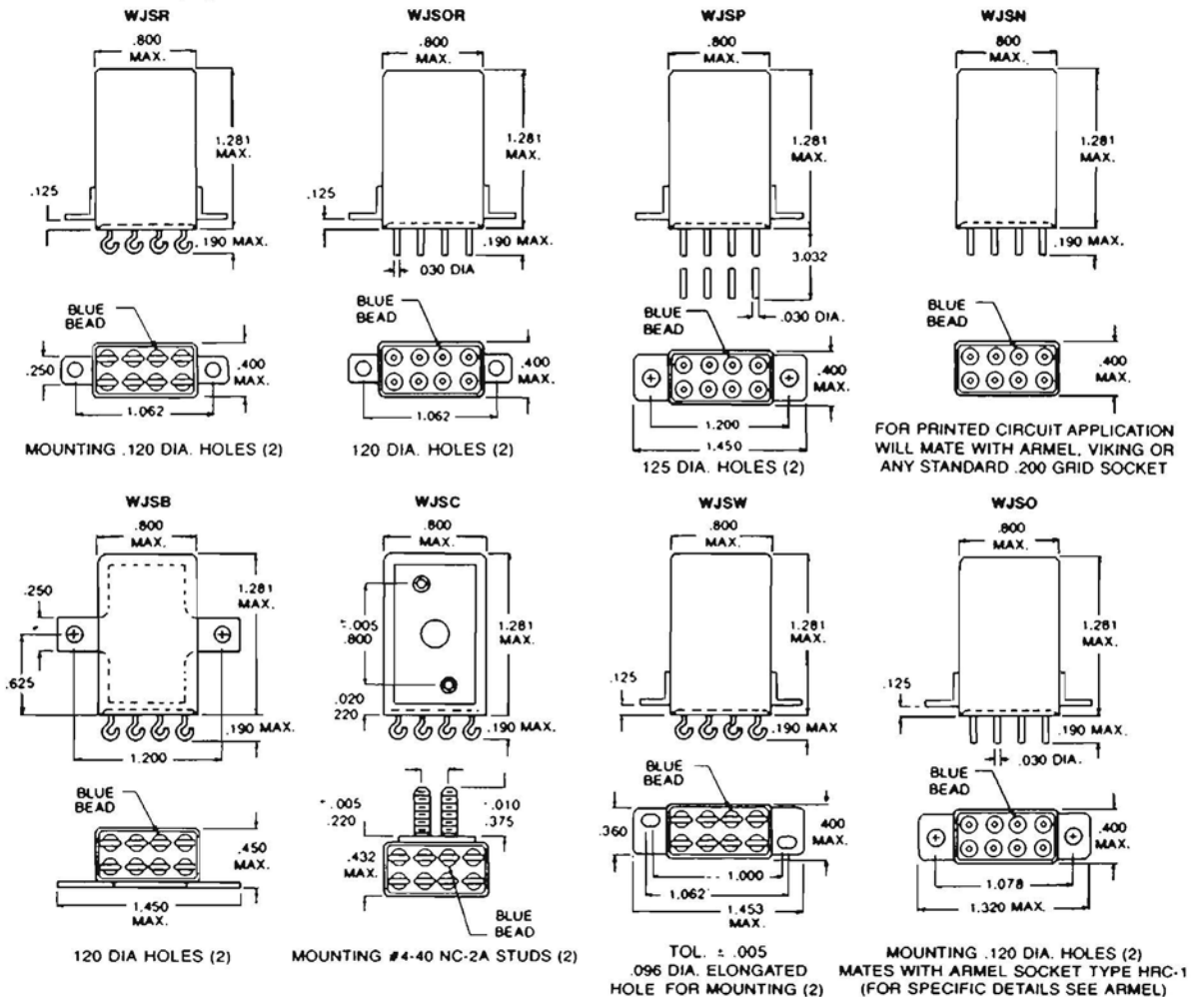
Example, WJSOR-6D-6.3MADC calls for
0.250 wide bracket, straight pins, DPDT,
6.3MADC pick-up, with a 1000 ohm coil.

Dimensions & Schematics



Mounting Variations

DIAGRAMS SHOWN AS 6D CONFIGURATIONS—REFER TO 3D HEADER & SCHEMATIC FOR 3D RELAYS



- Legend:**
- WJS Std mtg bracket, 1.200" centers, hook pins
 - WJSR .250 wide bracket, hook pins
 - WJSOR .250 wide bracket, straight pins
 - WJSP Std mtg bracket, 3" long leads
 - WJSN No bracket, straight pins
 - WJSPN No bracket, 3" long leads
 - WJSB Centerline mtg bracket (full plate), hook pins
 - WJSU Centerline mtg bracket (.250" strap), hook pins
 - WJSPB Centerline mtg bracket (full plate), 3" long leads
 - WJST 0.375 top stud, hook pins

- WJSPU Centerline mtg bracket (.250" strap), 3" long leads
- WJSC Side stud mtg with support plate, hook pins
- WJSD Side stud mtg w/o plate, hook pins
- WJSV Wide bottom bracket for 1.200" centers, straight pins
- WJSPC Side stud mtg with support plate, 3" long leads
- WJSW Bottom mtg bracket for diag. screws, wide bracket, hook pins
- WJSO Bottom mtg bracket, straight pins, with mating socket; 1.078" centers; mates with ARMEL socket type HRC-1

Additional variations available upon request.