

Mates with M83536, M6106 Relays

Operating Range

Temperature: -65°C to 125°C

Insulation Resistance: 1000 Megaohms Min.

Dielectric Withstanding Voltage: 1000 VRMS at Sea Level 500 VRMS at 80,000 ft.

Vibration: MIL-STD-202, Method 204 Test Condition G

Shock: MIL-STD-202, Method 213 Test Condition C

Materials

Socket Body: Polyetherimide per ASTM-D5205

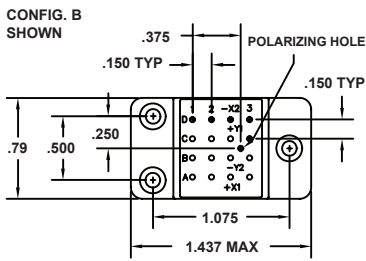
Grommet: Silicone Rubber per A-A-59588

Hardware: Stainless Steel or Steel w/Cadmium Chromate Finish

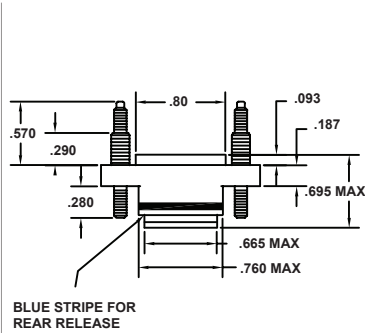
Contact Retainers: Stainless Steel

Socket Contacts: Stainless Steel, Hard Gold Plated in Accordance with SAE-AMS-2422

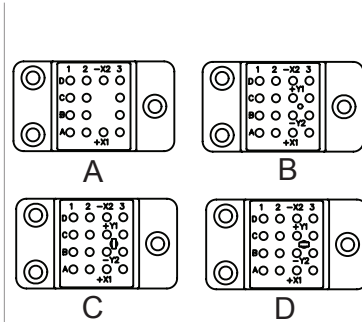
Dimensions



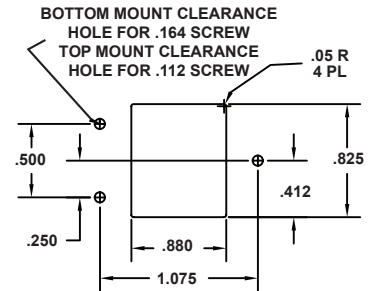
Top View



Side View



Socket Configurations



Recommended Mounting Panel Cutout

LOW PROFILE RELAY SOCKETS								Weight	
MIL P/N M12883	APCD P/N	Mounting Stud	QTY	Size ¹	Contact P/N	Config.	Mating Relay	Pounds	Grams
/44-01	RSE120151	Fixed	8	20/20	/101-553	A	M83536/5-006,-014,-022,-030 M83536/6,-006,-014,-022,-032	.055	25
/44-02	RSE120153	Fixed	8	20/20	/101-553	B	M83536/7-002		
/44-03	RSE120155	Fixed	8	20/20	/101-553	C			
/44-04	RSE120157	Fixed	8	20/20	/101-553	D			

¹. Mating End/Wire Barrel