

System Attachments

Wiring Accessories: Stringer and Frame Clips

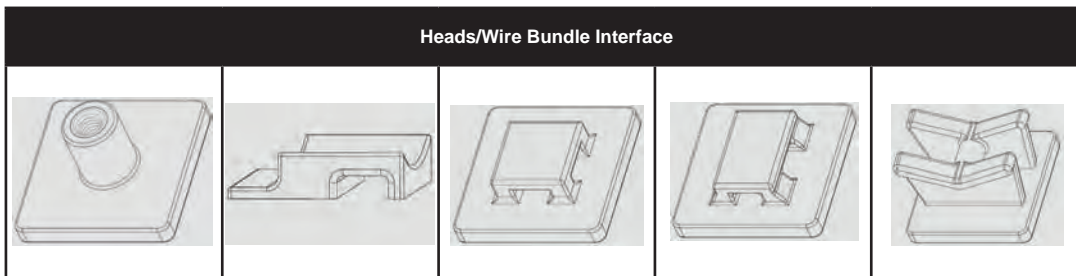
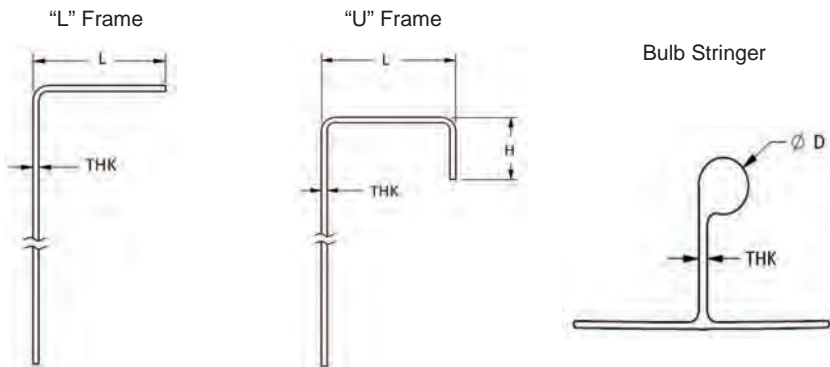
Features and Benefits

- Easy to install
- Simplifies wire harness installation
- Lightweight
- Durable
- No loose hardware/No FOD
- Multiple colors available-helps identify different sizes
- Customization
- FAR25-853 compliance



Product Description

Stringer and Frame Clips are offered in multiple materials and are designed for use in airframe, fuel tank, and engine applications. Available in various standard configurations and sizes, Amphenol Pcd also provides customized clips to help meet specific customer requirements. This combination of customer attention and low-cost manufacturing makes Amphenol Stringer and Frame Clips the best available option for customer needs.



Materials	
Nylon 6/6 (PA)	<ul style="list-style-type: none"> • Polyamide 6/6 Resin – Nylon Zytel • Grade : 103HSL (Heat Stabilized) • Temperature Performance: - 65 F to 185 F • Very flexible • Can be used in a clipping system • Available with glass for higher strength requirements • Excellent chemical resistance to most aerospace fluids
Ultem (PEI)	<ul style="list-style-type: none"> • High mechanical strength • Available with glass for higher strength requirements • Excellent chemical resistance to most aerospace fluids • High temperature resistance * <p>*Except for Skydroll under excessive strain</p>
PEEK	<ul style="list-style-type: none"> • Victrex PEEK polymer • High Performance • Non Conductive • Non-Corrosive • Extremely Durable • High Temperature resistance