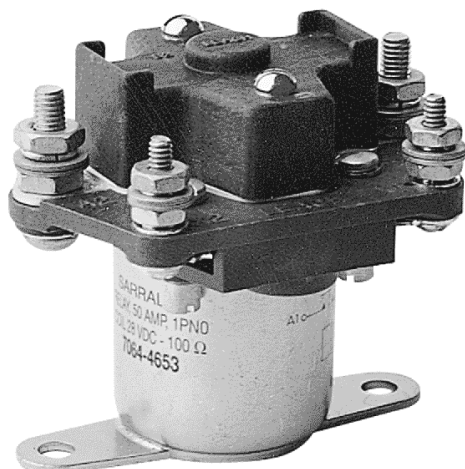


ENGINEERING DATA SHEET

7064-4653

CONTACTOR
1PST-DM, 50 AMP



Non-latching, solenoid design power contactor

Qualified to **MIL-PRF-6106**
MS24166-D1

PRINCIPLE TECHNICAL CHARACTERISTICS

Contacts rated at **50 Amps / 28 Vdc**
Weight **267g max.**
Dimensions of case **70mm x 53.4mm x 65mm max.**
Special units available upon request.

APPLICATION NOTES:

- [101](#)
- [102](#)
- [103F](#)
- [007](#)

CONTACT ELECTRICAL CHARACTERISTICS

Minimum operating cycles	Contact rating per pole and load type	Load Current in Amps @28Vdc
50,000 cycles	resistive	50
50,000 cycles	inductive (L/R=5ms)	50
50,000 cycles	motor	50
50,000 cycles	minimum current (Amps)	5



Featuring **LEACH**® power and control solutions
www.esterline.com

AMERICAS
6900 Orangethorpe Ave.
P.O. Box 5032
Buena Park, CA 90622

Tel: (01) 714-736-7599
Fax: (01) 714-670-1145

EUROPE
2 Rue Goethe
57430 Sarralbe
France

Tel: (33) 3 87 97 31 01
Fax: (33) 3 87 97 96 86

ASIA
Units 602-603 6/F Lakeside 1
No.8 Science Park West Avenue
Phase Two, Hong Kong Science Park
Pak Shek Kok, Tai Po, N.T.
Hong Kong
Tel: (852) 2 191 3830
Fax: (852) 2 389 5803

Data sheets are for initial product selection and comparison. Contact Esterline Power Systems prior to choosing a component.

COIL CHARACTERISTICS (Vdc)

7064-4653

Nominal operating voltage	28
Maximum operating voltage	29
Maximum pick-up voltage	18
Maximum drop-out voltage	7
Coil resistance in Ohms $\pm 10\%$ at +25° C	100

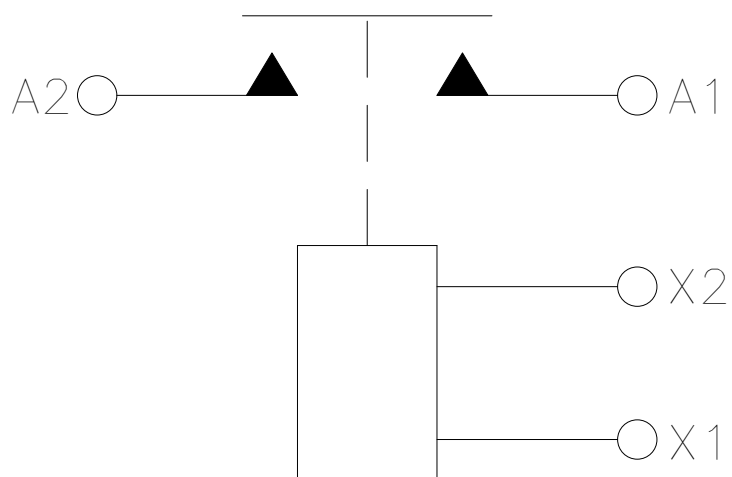
GENERAL CHARACTERISTICS

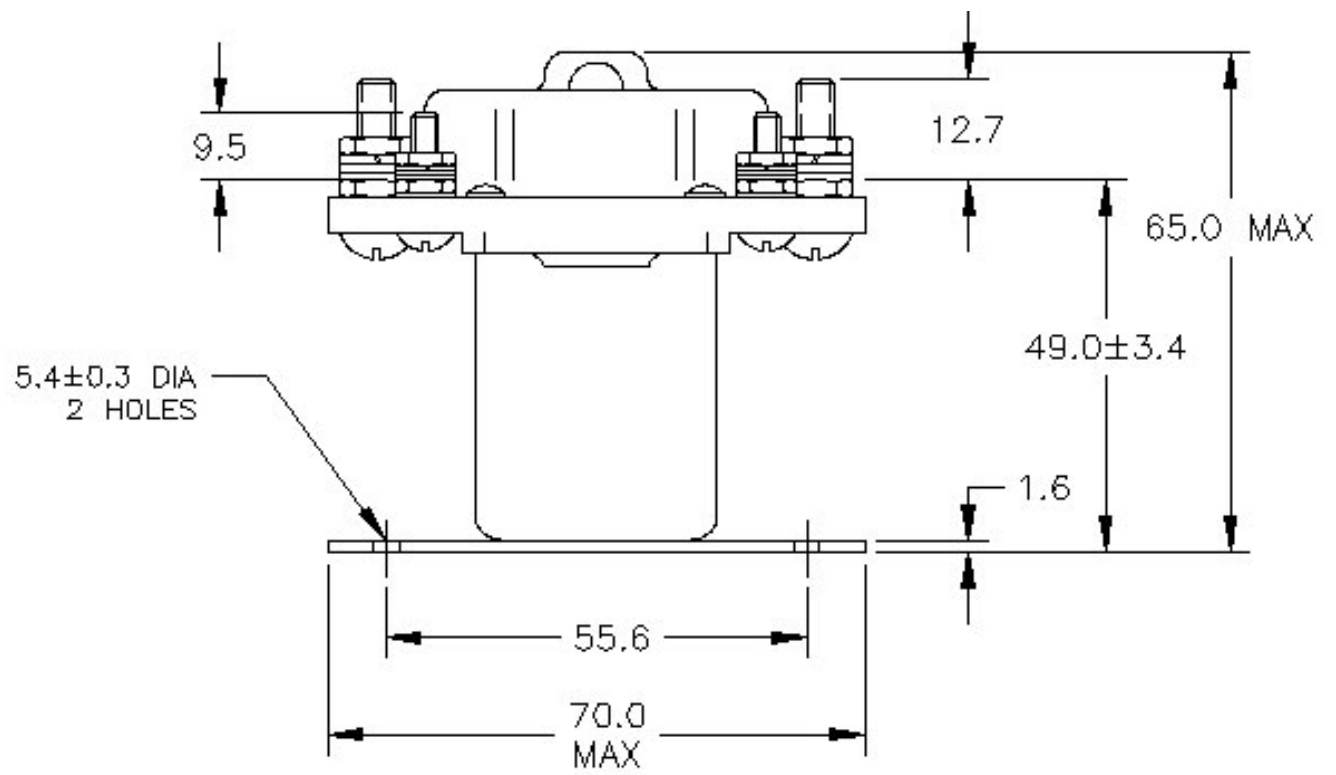
Temperature range	-45°C to +71°C
Dielectric strength at sea level	
- Circuits to ground and circuit to circuit	1250 Vrms / 50 Hz
- Across open contacts and coil to ground	1250 Vrms / 50 Hz
Dielectric strength at altitude 50,000 ft	500 Vrms / 50 Hz
Insulation resistance at 500 Vdc	> 100 M Ω
Sinusoidal vibration	2G / 55 to 500 Hz
Shock	25G
Maximum contact opening time under vibration and shock	2 ms
Operate time at nominal voltage	20 ms max
Release time at nominal voltage	10 ms max

NOTES

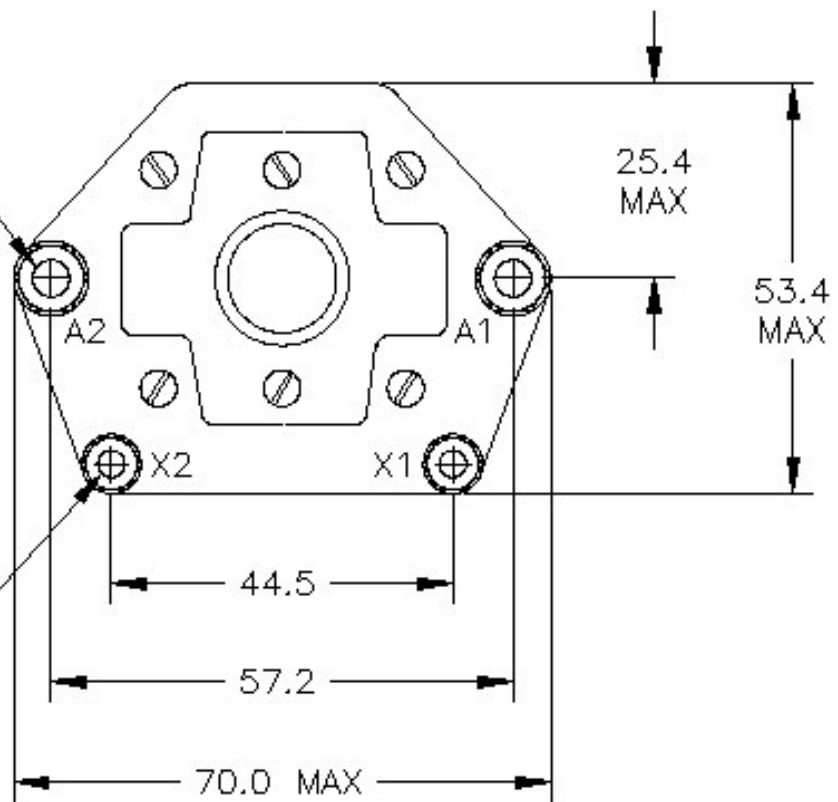
- Applicable specification: MIL-PRF-6106
- Applicable standard number: MS24166-D1
- Special units available upon request

SCHEMATIC DIAGRAM



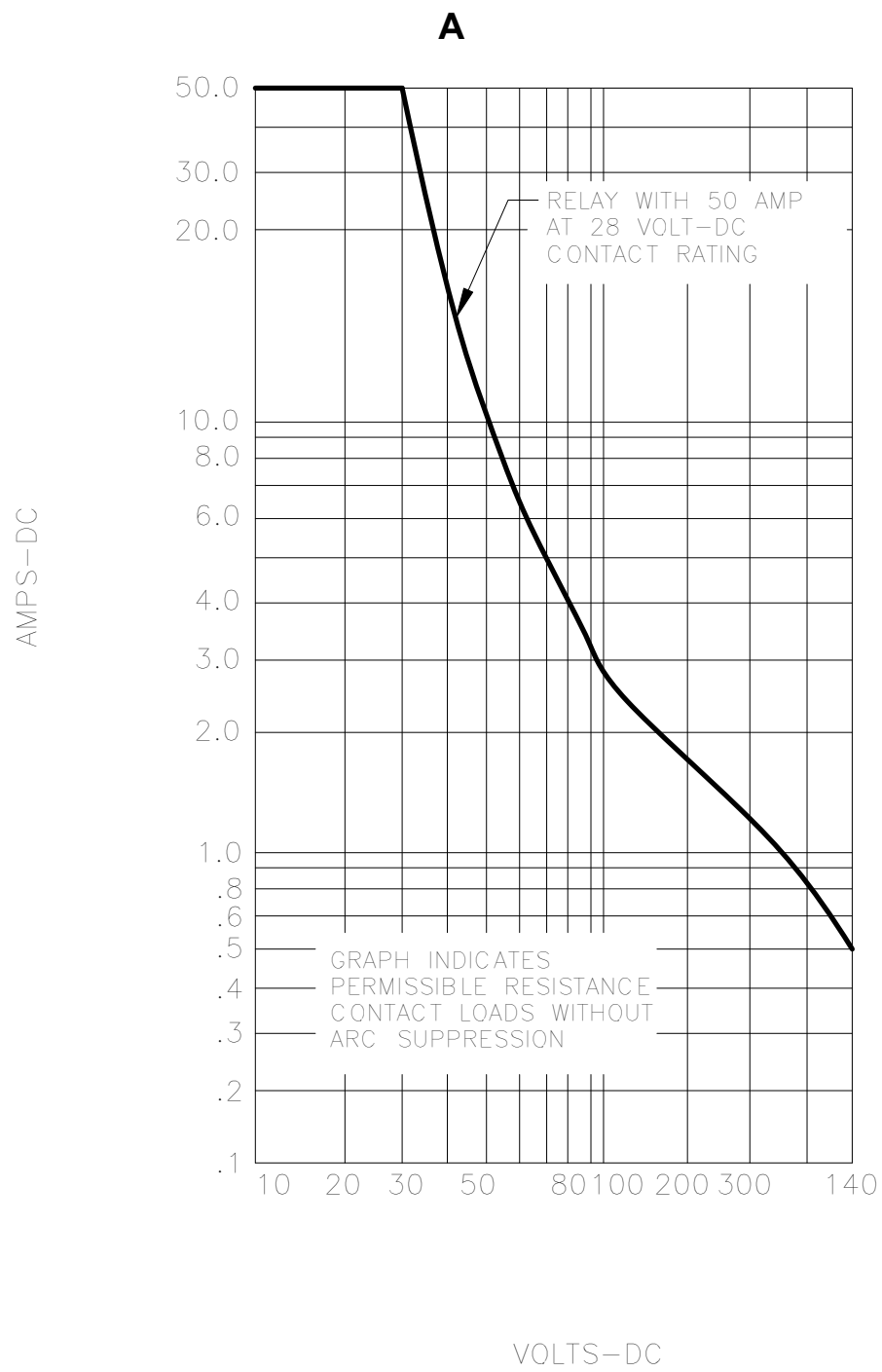


10-32 UNF-2A, STUD THD
MS20341-10A WASHER
MS35337-100 NUT
AN981-10, WASHER, 2 REQD
2 PLACES



6-32 UNC-2A, STUD THD
MS20341-6A WASHER
MS35337-98 NUT
AN961-6, WASHER, 2 REQD
2 PLACES

Dimensions in mm
Tolerances unless otherwise specified ±0.25mm



A Curve for DC voltages above normal rating