

# ENGINEERING DATA SHEET

# SERIES 9213

## POWER CONTACTOR

### 3 PST-DM, 50/100 AMP



**APPLICATION NOTES:**  
[103G](#)

Hermetically sealed  
 Balanced armature design  
 Designed to the performance standards of **MIL-PRF-6106**

### PRINCIPLE TECHNICAL CHARACTERISTICS

Contacts rated at **28 Vdc; 115 Vac, 400 Hz, 1Ø**  
**115/200 Vac, 60/400 Hz, 3Ø**

Weight **2.7 lb max**

Dimensions **4.22in x 4.23in x 4.53in**

Special units available upon request

### CONTACT ELECTRICAL CHARACTERISTICS

Contact rating per pole and load type [1]	Load current in Amps				
	28 Vdc	115 Vac 400 Hz	115/200 Vac 400 Hz 3Ø WYE OR DELTA	115/200 Vac 60 Hz 3Ø WYE OR DELTA	440 Vac 60/400 Hz
Resistive	100	100	100	50	50
Inductive	100	100	100	50	-
Motor [2]	100	100	100	50	-
Minimum Current	-	-	-	-	-



Featuring **LEACH**® power and control solutions  
[www.esterline.com](http://www.esterline.com)

**AMERICAS**  
 6900 Orangethorpe Ave.  
 P.O. Box 5032  
 Buena Park, CA 90622

Tel: (01) 714-736-7599  
 Fax: (01) 714-670-1145

**EUROPE**  
 2 Rue Goethe  
 57430 Sarralbe  
 France

Tel: (33) 3 87 97 31 01  
 Fax: (33) 3 87 97 96 86

**ASIA**  
 Units 602-603 6/F Lakeside 1  
 No.8 Science Park West Avenue  
 Phase Two, Hong Kong Science Park  
 Pak Shek Kok, Tai Po, N.T.  
 Hong Kong  
 Tel: (852) 2 191 3830  
 Fax: (852) 2 389 5803

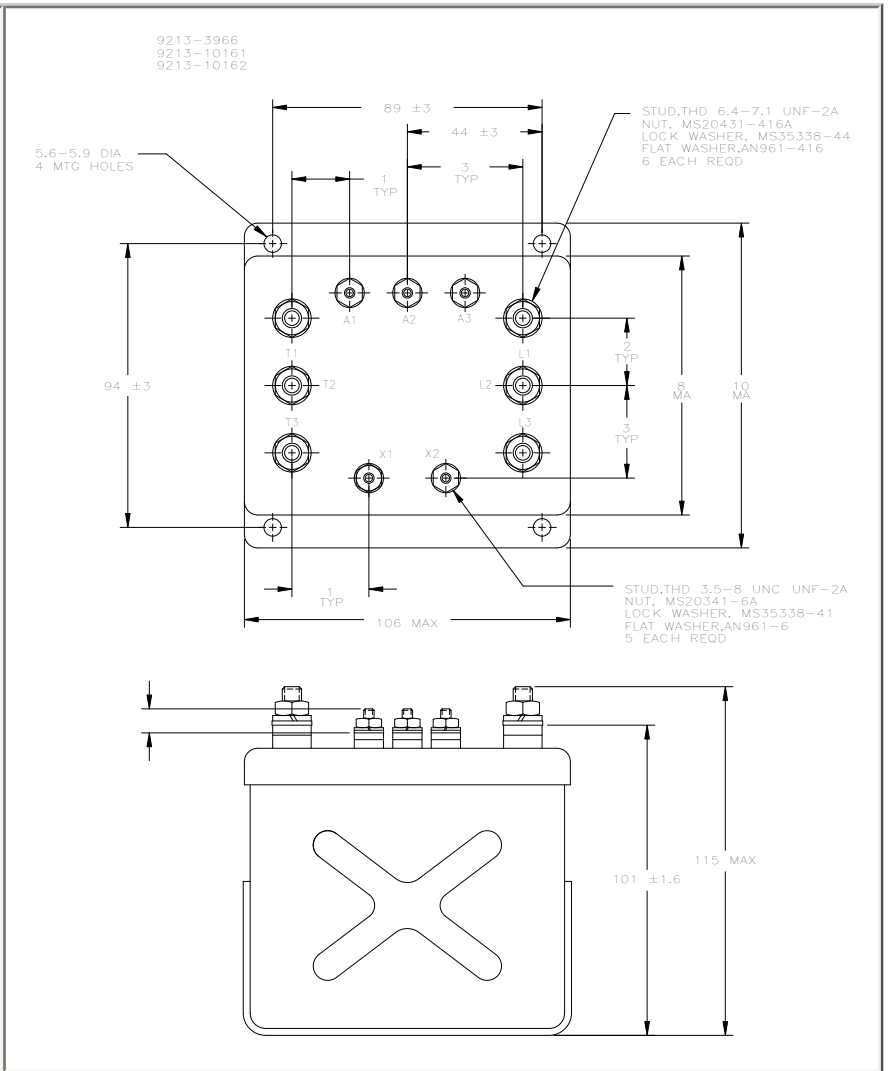
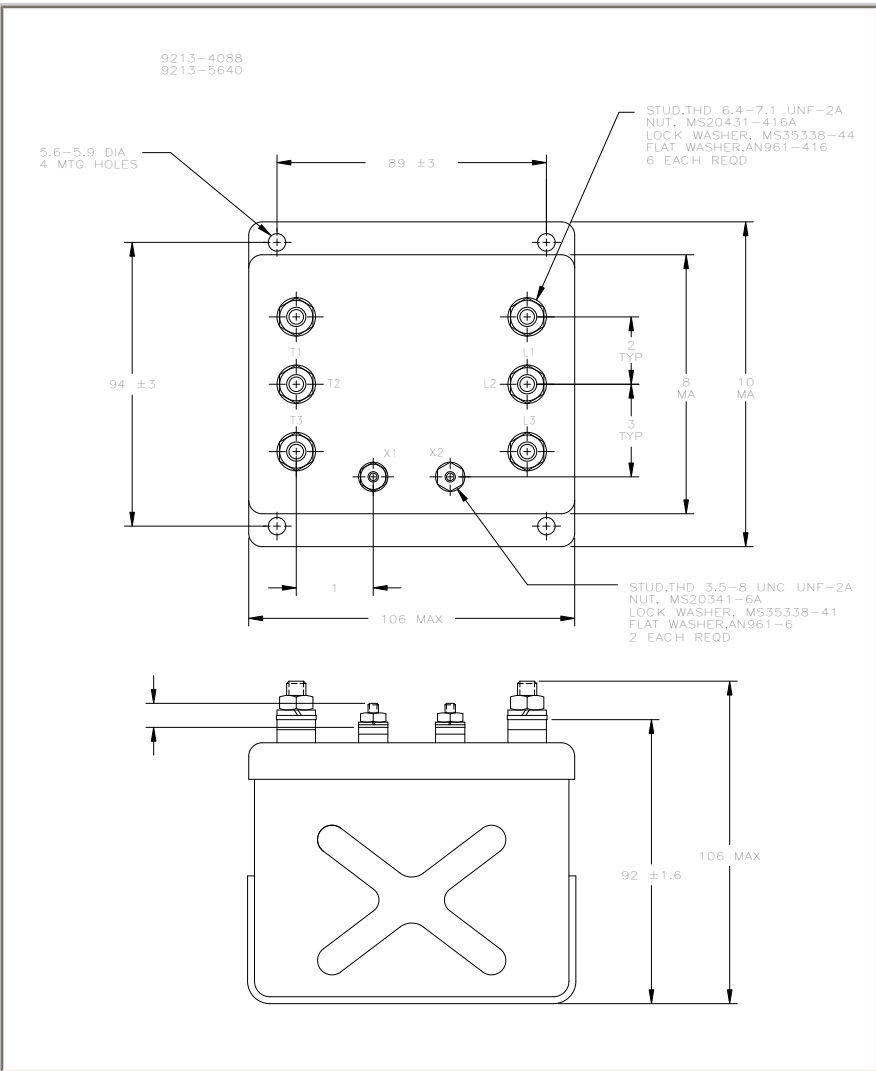
Data sheets are for initial product selection and comparison. Contact Esterline Power Systems prior to choosing a component.

**COIL CHARACTERISTICS (Vdc)****SERIES 9213**

CODE	Vdc	115 Vac 400 Hz	115 Vac 60 Hz
Nominal operating voltage	28	115	115
Maximum operating voltage	29	124	124
Pick-up voltage, max.	18	90	90
Drop-out voltage, max.	7	40	30
Coil resistance ohms $\pm 10\%$ at +25° C	44.5	-	-
Coil current max. mA at +25° C	-	200	200

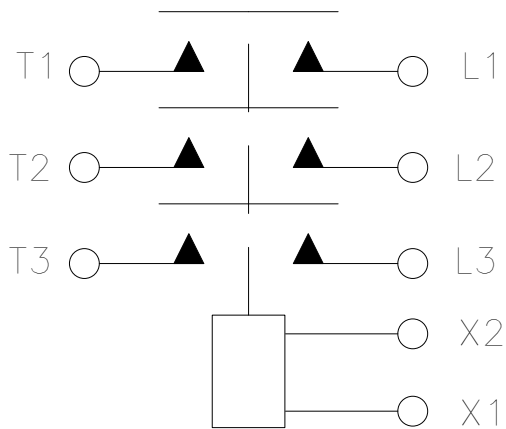
**GENERAL CHARACTERISTICS**

Temperature range	-55°C to +71°C
Minimum operating cycles (life) at rated load	50,000
Minimum operating cycles (life) at 25% rated load	100,000
Dielectric strength at sea level	
All circuits to ground and circuit to circuit	1,500 Vrms
Coil to ground	1,250 Vrms
Dielectric strength at altitude 80,000 ft	700 VRMS
Insulation resistance (at 500 Vdc) minimum	100 M $\Omega$ min
Sinusoidal vibration (55-500 Hz)	10G
Shock (6-9 millisecond duration)	50G
Maximum contact opening time under shock or vibration	2 $\mu$ s
Operate time at nominal voltage	
- DC	30 ms max
- AC	40 ms max
Release time at nominal voltage	
- DC	20 ms max
- AC	60 ms max
Weight, max.	2.70 lb



**SCHEMATIC DIAGRAMS**

9213-4088 115 VAC 400 Hz  
9213-5640 28 VDC  
CONTACT CONFIGURATION  
3PST-DM



9213-3966 28 VDC  
9213-10161 115 VAC, 60 Hz  
9213-10162 115 VAC, 400 Hz  
CONTACT CONFIGURATION  
3PST-DM+1PDT AUX

