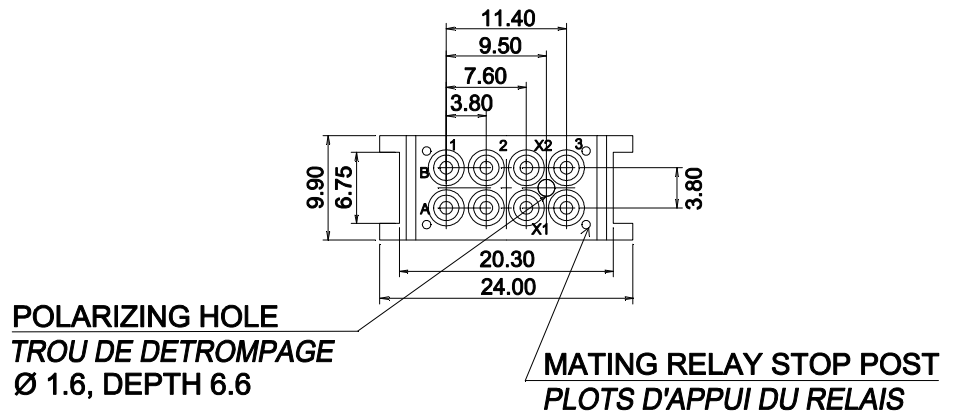
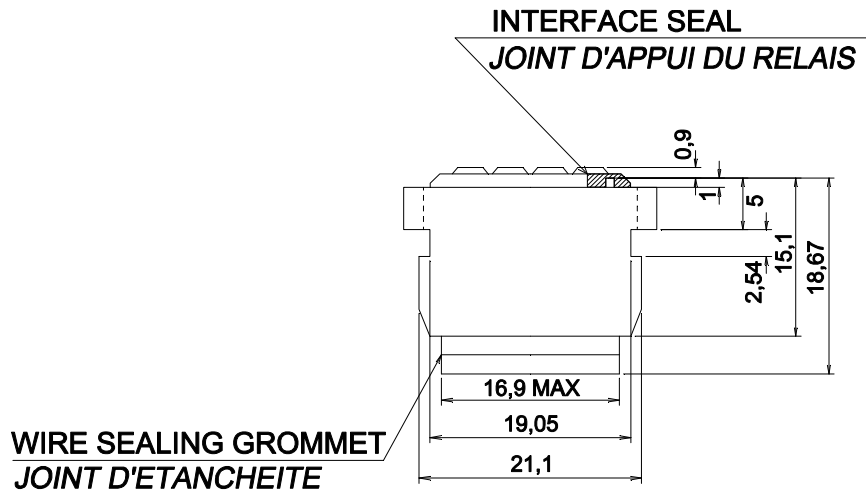




**Basic socket series designation for:**  
Series M210 (Track Mount)  
Series TDH-1609, TDH-1610

**Qualified to:**  
MIL-DTL-12883/52-001

**Applicable track:**  
MT-3000-003



Dimensions in mm  
Tolerances, unless otherwise specified, ±0.12mm

## GENERAL CHARACTERISTICS CARACTERISTIQUES GENERALES

<b>Supplied with No. 20 contacts and No. 20 crimp.</b> <i>Livré avec contacts No. 20 et</i>	
<b>Weight</b> <i>Poids</i>	7g max.
<b>Used in conjunction with MT-3000-003</b> <i>Utilisé en union avec MT-3000-003</i>	

#### AMERICAS.

Tel: +1 714-736-7599  
<http://www.esterline.com/powersystems>

#### EUROPE.

Tel: +33 3 87 97 31 01  
Fax: +33 3 87 97 96 86

#### ASIA

Tel: +852 2 191 3830  
Fax: +852 2 389 5803