



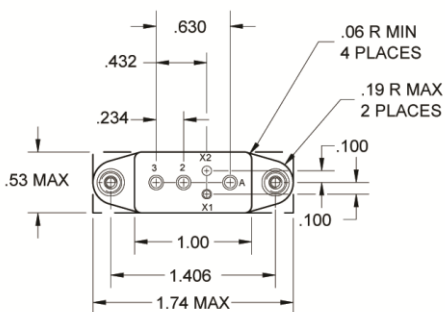
**Basic socket series designation for:**

Series JS, JC	SO-1063-9033
Series JSA, JCA	SO-1063-9034

**NOT qualified but designed to the standards and requirements of::**

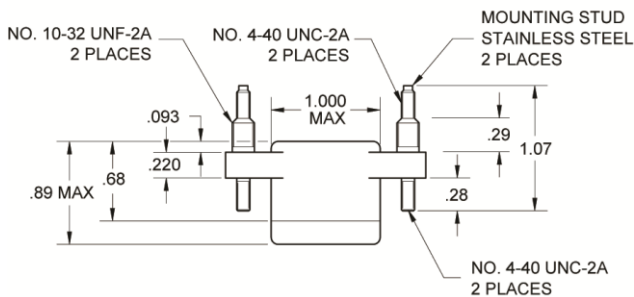
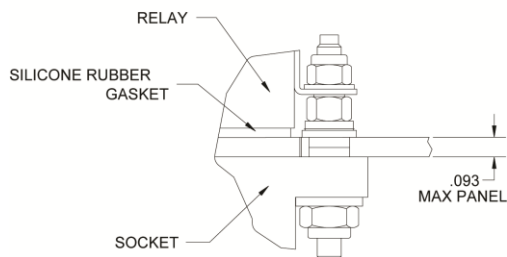
MIL-S-12883

**SOCKET DRAWING**

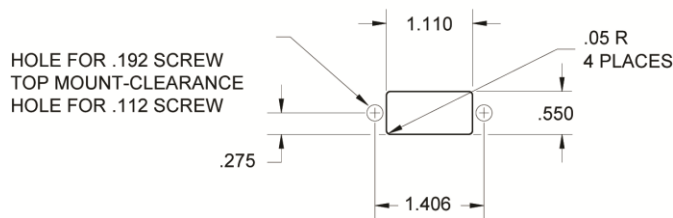


**HARDWARE MOUNTING**

MOUNTING DETAIL  
2 PLACES



**MOUNTING DIMENSIONS**



**GENERAL CHARACTERISTICS**

1. Supplied with mounting hardware and No. 12 contacts and crimp for power terminals; No. 16 contacts and crimp for coil terminals.	
2. Standard tolerances	.xx ±.01; xxx ± .005
3. Shape optional	
4. Weight	.056 lbs. max
5. Temperature range	-70° C to +125° C

**AMERICAS.**  
Tel: +1 714-736-7599  
<http://www.esterline.com/powersystems>

**EUROPE.**  
Tel: +33 3 87 97 31 01  
Fax: +33 3 87 97 96 86

**ASIA**  
Tel: +852 2 191 3830  
Fax: +852 2 389 5803