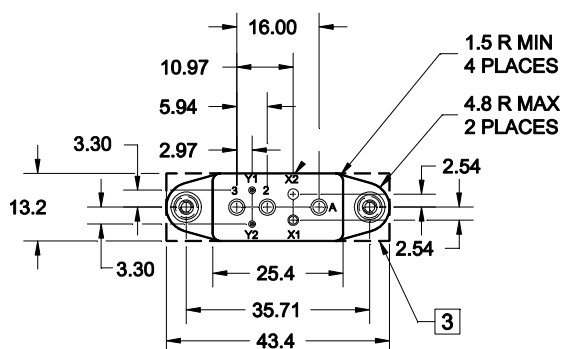
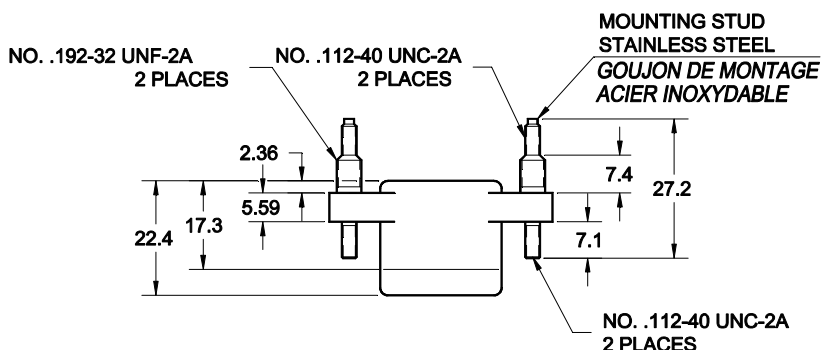


SOCKET DRAWING / PLAN DU SOCLE

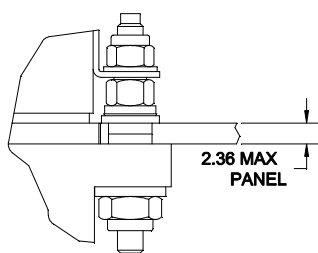


Basic socket series designation for :
JCL

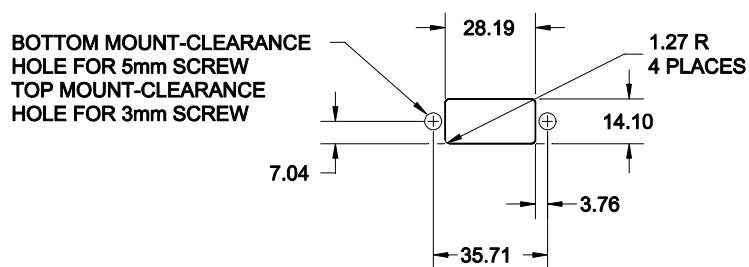
Meets the requirements of :
MIL-DTL-12883



HARDWARE MOUNTING
DETAIL DE MONTAGE



MOUNTING DIMENSIONS
PERCAGE DE LA STRUCTURE



GENERAL CHARACTERISTICS
CARACTERISTIQUES GENERALES

Dimensions in mm
Tolerances, unless otherwise specified, $\pm 0.25\text{mm}$

Supplied with mounting hardware and No. 12 contacts and crimp for power terminals; No. 16 contacts and crimp for X coil; No. 22 contacts and crimp for Y coil

Visserie moulée. Fourni avec 3 contacts 12 / 12, 2 contacts 16 / 16 (bobine X1-X2) et 2 contacts 22 / 22 (bobine Y1-Y2)

Temperature range

Température d'utilisation

-70° C to +125° C.

Weight

Masse

27g max.

AMERICAS.

Tel: +1 714-736-7599

<http://www.esterline.com/powersystems>

EUROPE.

Tel: +33 3 87 97 31 01

Fax: +33 3 87 97 96 86

ASIA

Tel: +852 2 191 3830

Fax: +852 2 389 5803