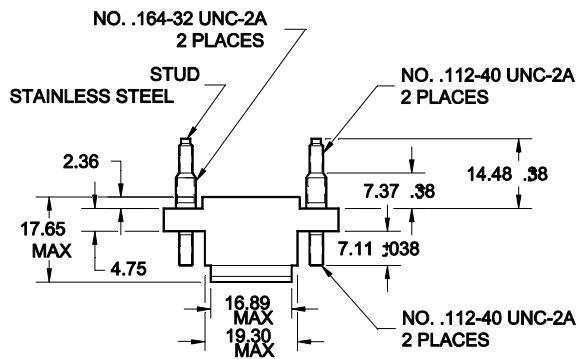
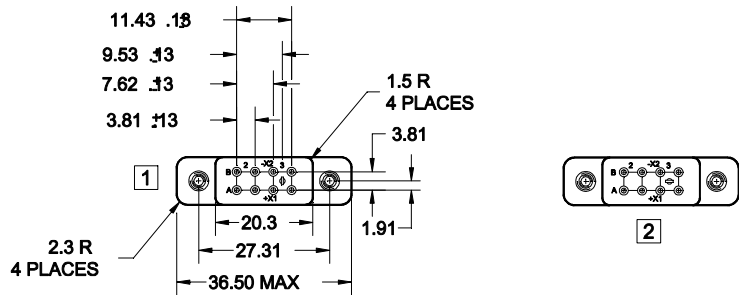




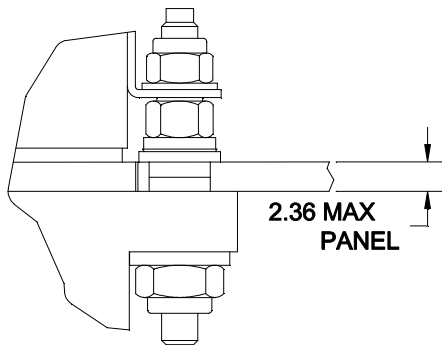
SOCKET DRAWING / PLAN DU SOCLE



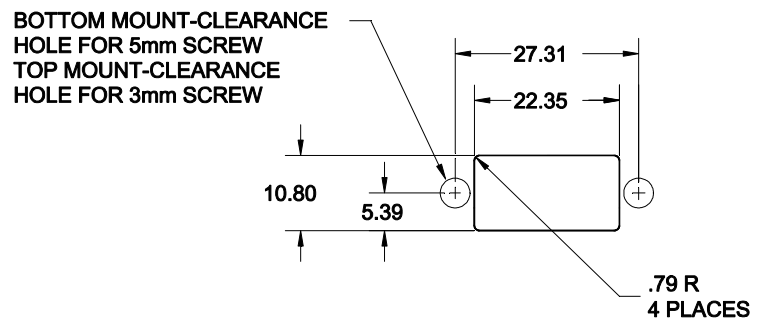
Basic socket series designation for :
YCL

Meets the requirements of :
MIL-DTL-12883/45

HARDWARE MOUNTING DETAIL DE MONTAGE



MOUNTING DIMENSIONS PERCAGE DE LA STRUCTURE



GENERAL CHARACTERISTICS CARACTERISTIQUES GENERALES

Dimensions in mm
Tolerances, unless otherwise specified, ±0.25mm

-Supplied with mounting hardware and NO. 20 contacts and crimp for coil code J (SO-1064-10444)

SO-1064-10444 pour relais XA code bobine J. Visserie moulée - fourni avec 8 contacts 20 /20

- Supplied with mounting hardware and NO. 20 contacts and crimp for coil codes F,K (SO-1064-10445)

SO-1064-10445 pour relais XA code bobine F ou K. Visserie moulée - fourni avec 8 contacts 20 /20

Temperature range

Température d'utilisation

-70° C to +125° C.

Weight

Masse

15g max.

AMERICAS.

Tel: +1 714-736-7599

<http://www.esterline.com/powersystems>

EUROPE.

Tel: +33 3 87 97 31 01

Fax: +33 3 87 97 96 86

ASIA

Tel: +852 2 191 3830

Fax: +852 2 389 5803