

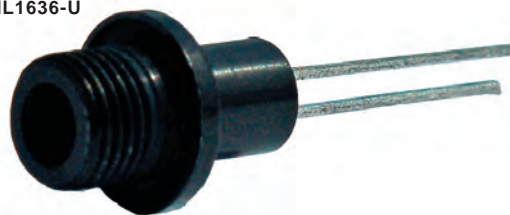
LED INDICATOR REAR-MOUNT BRIGHT



Model ML1636-U

Developed for use as a status indicator, the ML1636-U series was designed to survive in the most severe environments. The small size and rugged package make it ideal for applications where status indication is critical to the operation of your equipment. The environmentally sealed case includes an O-ring panel seal that insures the integrity of your system. Comes complete with fluorosilicone O-ring and mounting hardware.

ML1636-U



FEATURES

- Ideal for rugged environments
- Environmentally sealed
- Panel mount seal
- Compact case design
- Colors: green, red, amber, orange and red-orange
- EMI screen option
- Decorative bezel

MECHANICAL SPECIFICATIONS

Case: Aluminum, black anodized, standard. Clear chromate case with EMI screen option.

Mounting: Rear-mount by 5/16"-32 nut and lockwasher

O-ring: Fluorosilicone rubber

ENVIRONMENTAL SPECIFICATIONS

Vibration: .06" D.A. or 20 Gs Peak, whichever is less, 10Hz to 2kHz, MIL STD 202, Method 204, Test Condition D

Shock: 100 Gs MIL STD 202, Method 213, Test Condition I

Moisture Resistance (Humidity): MIL STD 202, Method 106

Barometric Pressure (Reduced): 100,000 ft., MIL STD 202, Method 105, Test Condition D

Reliability: 3 x 10⁶ hours min. MTBF @ 25°C

Salt Atmosphere (Corrosion): MIL STD 202, Method 101, Test Condition B

ELECTRO-OPTICAL CHARACTERISTIC SPECIFICATIONS

Absolute Maximum Ratings @Temp = 25°C					
Color	Red-Orange	Orange	Amber	Green	Red
Forward Voltage (VDC) typical @ 20 mA	1.9	2.0	2.0	3.2	1.9
DC Forward Current (mA) ①	50	50	50	30	50
Reverse Voltage (VDC) @ I _R = 100 μA	5	5	5	5	5
Junction Temperature	130°C	130°C	130°C	130°C	130°C
Luminous Intensity (mcd) typical @ I _F = 20 mA Non-diffused	600	600	600	1000	600
Dominant Wave Length (nm) typical @ I _F = 20 mA	615	605	590	526	626
Viewing Angle (2 Ø 1/2) typical	30°	30°	30°	30°	30°
Operating Temperature (°C)	-40 to +100	-40 to +100	-40 to +100	-40 to +80	-40 to +100
Storage Temperature (°C)	-40 to +100	-40 to +100	-40 to +100	-40 to +100	-40 to +100
Lead Soldering Temperature	260°C for 5 seconds				

Notes: ① Derate linearly from 50°; green @ 0.6 mA/°C; all other colors @ 0.7 mA/°C

This page consists of basic marketing information that is not defined as technical data under EAR Part 772.

LED INDICATOR REAR-MOUNT BRIGHT



ORDERING INFORMATION

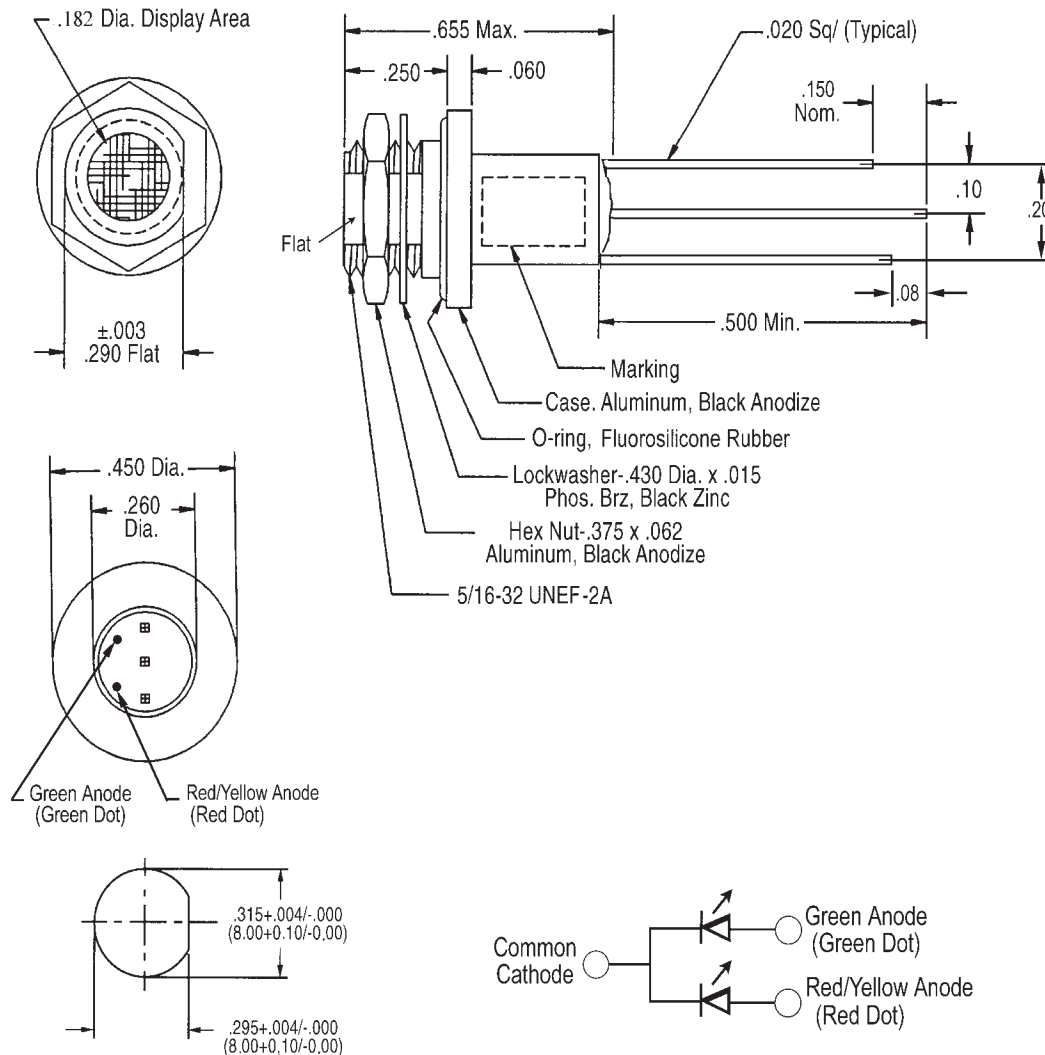
When ordering, show model number first, followed by EMI screen, then LED color, lens style and terminal style. If this is a special part, a factory assigned modification number will be added at the end of the ordering number. Consult the factory for special configurations.

Example: Basic model with an EMI screen, with a red LED a non-diffused lens, and loop terminals would be ML1636E-UR-ND-LT.

ML1636E - UR - ND - LT - ()

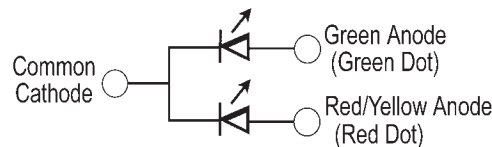
Standard factory options are designated by "-Sxxx"

Basic Model Number	EMI Screen	LED Color	Lens Type	Terminal Style
ML1636	() None	UR Red	ND Non-diffused	WL Wire Leads
	E Screen	UG Green		LT Loop Terminals
		UA Amber		ST Straight Terminals
		UO Orange		
		UP Red-Orange		



**Recommended
Mounting Hole**

Schematic



ML1636-U

NOTE: Dimensions in () are mm. Tolerances: Decimals: ± .010 (0.25)
Fractions: ± 1/64 Mounting Torque: 5-7 in. lbs.

This page consists of basic marketing information that is not defined as technical data under EAR Part 772.