

MANUAL RESET POP-UP INDICATORS WITH NORMALLY OPEN SWITCH



Model PL 25 DC

The PL 25 DC magnetic latching fault indicator displays highly visible white flag (button), when the indicator coil is pulsed by a BITE (Built-In Test Equipment) system.

FEATURES

- Push button, manual reset indicator
- Magnetic Latching
- Environmentally Sealed
- Random Vibration Capability
- Internal Switch

OPERATION

The Pop-Up Indicator is an electromechanical indicator encased in an aluminum housing measuring 1.38" x .315" x .325". Electrical connection to the unit is made via 4 wire leads that have a standard 4" in length. When an electrical pulse is sent to the unit it causes a .25" diameter button to pop up approximately .05" to provide indication to a user that a fault has occurred. The internal magnet will then latch in place.

The Pop-Up Indicator is manually reset by pressing down on the indicator and returning the indicator to its originally state. The magnet will keep the indicator in the "Reset" state until an electrical pulse of appropriate power is applied to the unit. The internal switch operates in conjunction with the operation of the fault indicator. When the indicator is in button down "Reset" position, the switch is closed. When indicator is in button up "Set" position, the switch is open.

ELECTRICAL SPECIFICATIONS

Pulse Length: 17 to 50 ms

Voltage Rating: 18-32 VDC.

Insulation Resistance: 100 MOhms minimum at 500 VDC.

Dielectric Withstand Voltage: 1250 VRMS between closed switch and housing and between closed switch and coil; 1000 VRMS between coil winding and housing.

Switch Voltage Rating: 28 VDC.

Make/ Carry / Brake Rating: 500 mA (400mA @ 32VDC)

PL 25 DC



MECHANICAL SPECIFICATIONS

Case: Brass, Alloy 260

Mounting: via .07" hole in the mounting flange

Weight: 8.5 g max.

ENVIRONMENTAL SPECIFICATIONS

Operating Temperature Range: -25°C to +105°C

Random Vibration: 4.9 g RMS, 3 axis, 5 hours per axis.

Shock: 15 g peak, half-sine pulse.

Moisture Resistance (Humidity): RTCA/DO 160, Section 6, Cat A.

Waterproofness: RTCA/DO 160, Section 10, Cat W.

Thermal Shock: MIL-STD-202, Method 107, Test Condition B, non-operating temperatures are -40°C to +120°C.

Barometric Pressure: -2000 ft to 45000 ft, 2 hours each.

Operational Life: 5000 cycles.

PATENTS

US Patent No. 0220896A1

ORDERING INFORMATION

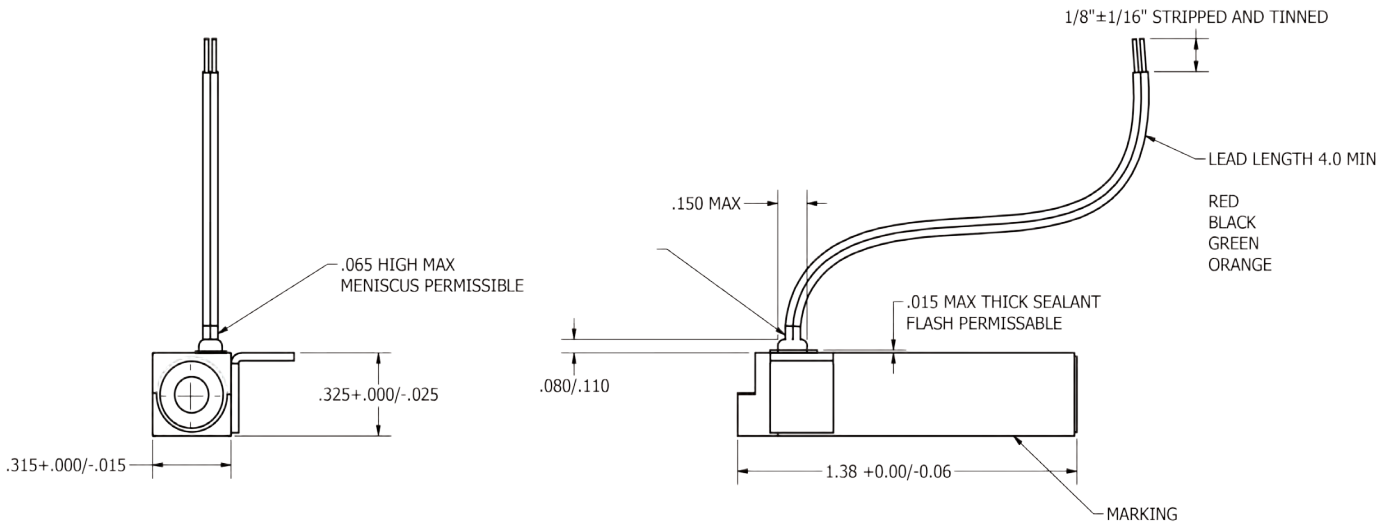
Description: PL 25 DC. Standard Factory Options (Mounting Flange) are designated by "-Sxxx" at the end. Contact Sales for alternative mounting options.

This page consists of basic marketing information that is not defined as technical data under EAR Part 772.

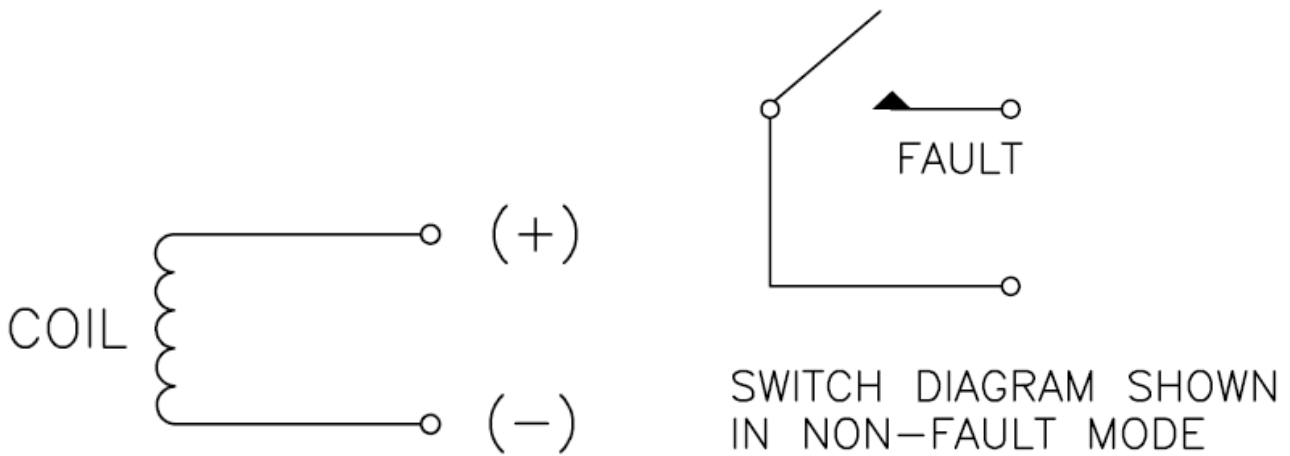
MANUAL RESET POP-UP INDICATORS WITH NORMALLY OPEN SWITCH



Model PL 25 DC (continued)



FLAG INDICATORS



SCHEMATIC

This page consists of basic marketing information that is not defined as technical data under EAR Part 772.