

LARGE DISPLAY STATUS INDICATOR FOR INDUSTRIAL APPLICATIONS



Model CI75 (Single Coil) Model CID75 (Dual Coil)

The CI series large-display, status indicator features a highly visible dual color internal flag. Available in single and dual coil models. For industrial applications demanding large displays while subjected to outdoor elements, high ambient light areas and remote areas requiring low-power drain.

FEATURES

- Large 3/4" display
- Visible in bright light or in dimly lit area
- No bulbs to replace
- Low power usage
- No power needed when latched in either position
- Low cost
- Strong magnetic memory

OPERATION

When the indication coil is energized by a 50 millisecond or longer pulse, color display flips 180° and latches to coil core. Display will remain magnetically latched to the core in the position last pulsed. Even if the signal is removed, the indicator will "remember" the signal instruction.

Reset to black is accomplished electrically by pulsing a separate reset coil or by reversing polarity in the single coil unit. The display then remains magnetically latched to the core and remains black.

ELECTRICAL SPECIFICATIONS

Standard coil voltages and resistances			
Nominal Voltage DC	Operating Voltage Minimum	Operating Voltage Maximum	CI75 Coil Resistance in Ohms, ± 10% @ 25°C
5.0	4.5	5.5	30*
6.0	5.5	6.5	41*
12.0	11.0	13.0	150*
20.0	18.0	22.0	460*
24.0	21.0	27.0	660*
28.0	25.0	31.0	875*

* Resistance for dual coil (CID75) units is approximately one-half the value listed for single coil, all models.

CID75



Nominal Operating Pulse Power (at 25°C): 900 mW (CI75); 1.8 W (CID75). Designed for pulse operation.

Operating Pulse Length: 50 ms min.

Reset Pulse Length: 50 ms min. (Max. "On" time 50%)

Dielectric Withstanding Voltage: 100 VDC coil to coil, for dual coil units. 500 VDC, terminals to mounting panel.

MECHANICAL SPECIFICATIONS

Case: Molded plastic, clear viewing lens

Mounting: Spring retainer, supplied with unit

Weight: 30 grams

Display Colors: Red (set) and Black (reset). Other colors or legends available.

ENVIRONMENTAL SPECIFICATIONS

Operating Temperature Range: -20°C to + 85°C

Operational Life: 10,000 cycles minimum

LARGE DISPLAY STATUS INDICATOR FOR INDUSTRIAL APPLICATIONS



ORDERING INFORMATION

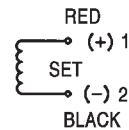
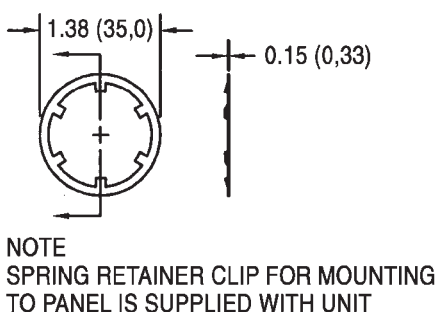
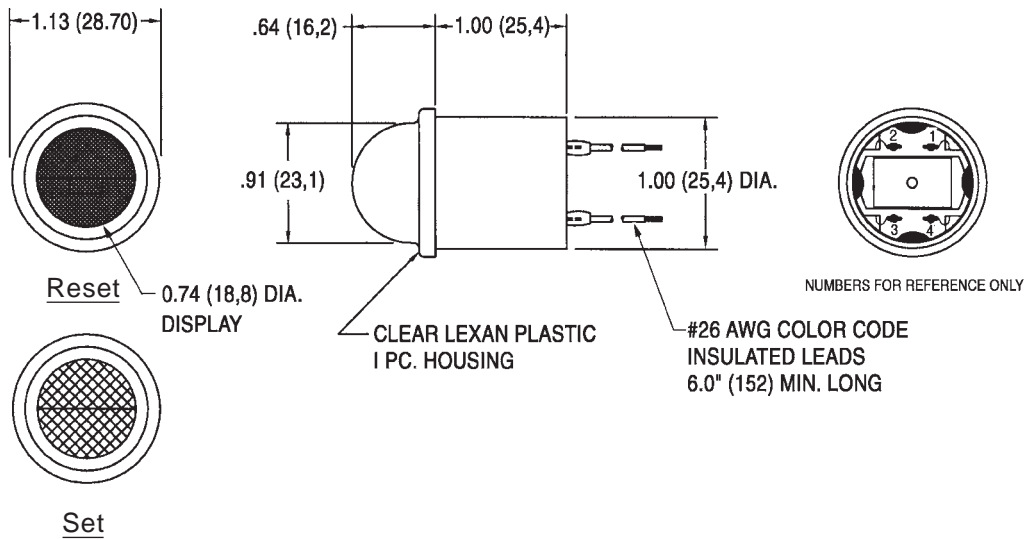
When ordering, show model number first, coil voltage, and the color combination desired. If this is a special part, a factory assigned modification number will be added at the end of the ordering number. Consult the factory for special configurations.

Example:
Single coil unit for 24 volt with red for set and black for reset would specify CI75-24-R/BLK.

CI75 - 24 - R / BLK - ()

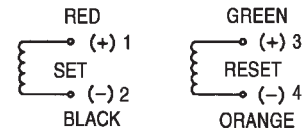
Standard factory options are designated by "-Sxxx"

Basic Model Number	Coil Voltage	Fault or Set Color	Reset Color
CI75	5	O Orange	BLK Black
CID75	6	R Red	
	12	Y Yellow	
	20	W White	
	24		
	28		



Schematic Single Coil

(To reset, reverse polarity of applied voltage)



Schematic Dual Coil

CI75 and CID75

NOTE: Dimensions in () are mm. Tolerances: Decimals: ± .020 (0.50)

This page consists of basic marketing information that is not defined as technical data under EAR Part 772.