

356 SERIES

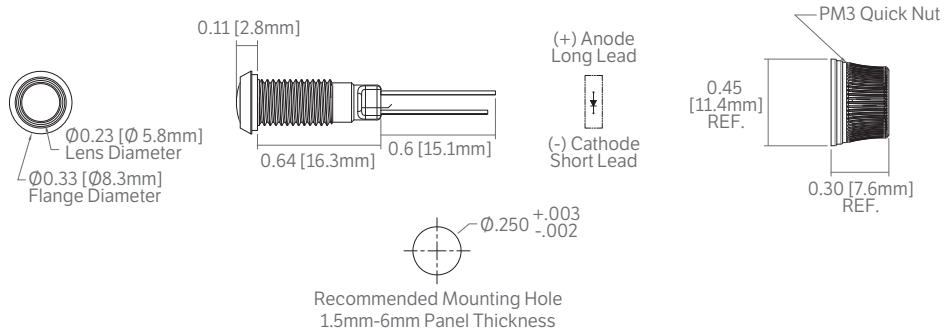
SPECIFICATIONS



- $\varnothing 6.35\text{mm}$ (0.250") mounting
- Quick-mount
- Plastic housing
- Range of LED Colors
- Diffused color LED/lens
- Standard Intensity LEDs
- Solder pins or wire terminations
- Range of voltage options: 20mA

Complete online datasheet: <http://ds.leds.co.uk/ds/356series.pdf>

DIMENSIONS



Actual size.
All dimensions measured in mm.

357 SERIES

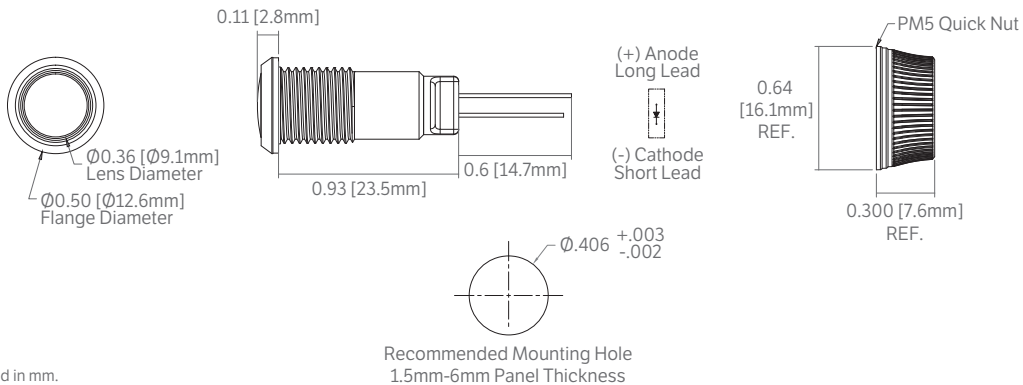
SPECIFICATIONS



- $\varnothing 10.3\text{mm}$ (0.406") mounting
- Quick-mount
- Plastic housing
- Range of LED Colors
- Diffused color LED/lens
- Standard intensity LEDs
- Solder pins or wire terminations
- Range of voltage options: 20mA

Complete online datasheet: <http://ds.leds.co.uk/ds/357series.pdf>

DIMENSIONS



Actual size.
All dimensions measured in mm.