

# 570 SERIES

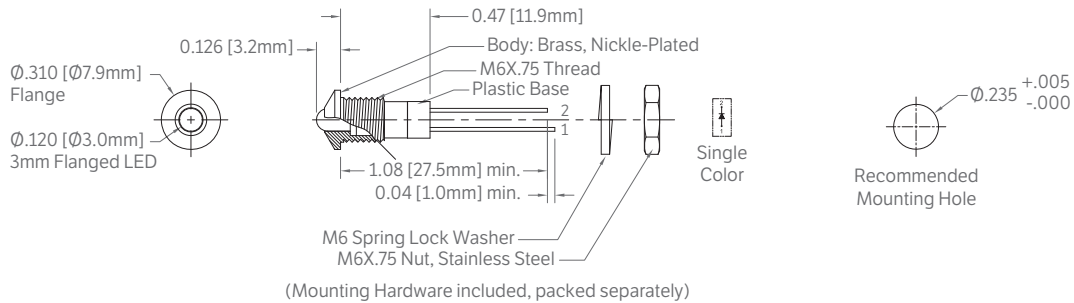
## SPECIFICATIONS



- $\varnothing 6.0\text{mm}$  (0.240") mounting
- Nickel plated brass housing
- Range of LED colors
- Standard intensity LEDs
- Diffused color LED/lens
- Solder pins or wire terminations
- Range of voltage options: 20mA

Complete online datasheet: <http://ds.leds.co.uk/ds/570series.pdf>

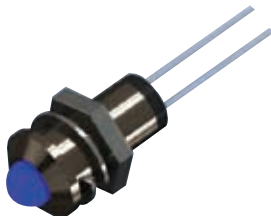
## DIMENSIONS



Actual size.  
All dimensions measured in mm.

# 571 SERIES

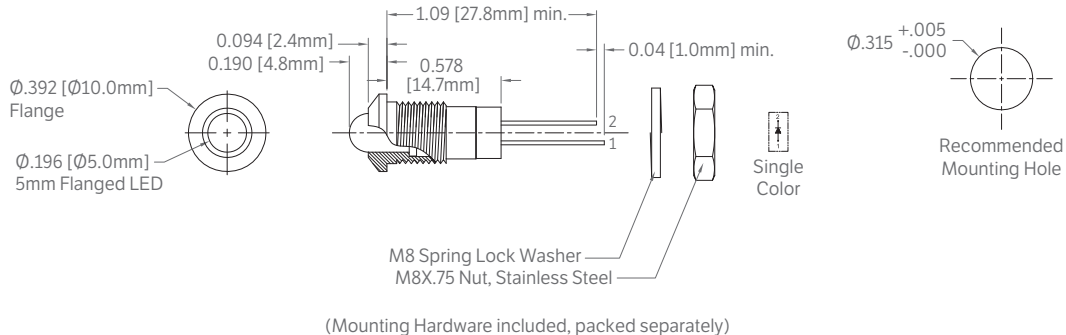
## SPECIFICATIONS



- $\varnothing 8.0\text{mm}$  (0.315") mounting
- Nickel plated brass housing
- Range of LED colors
- Standard intensity LEDs
- Diffused color LED/lens
- Solder pins or wire terminations
- Range of voltage options: 20mA

Complete online datasheet: <http://ds.leds.co.uk/ds/571series.pdf>

## DIMENSIONS



Actual size.  
All dimensions measured in mm.