

# 614 TRI COLOR SERIES

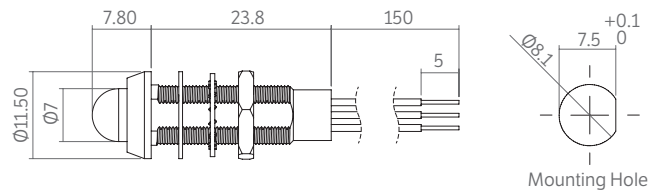
## SPECIFICATIONS



- $\varnothing 8.1\text{mm}$  (0.318") mounting
- Sealed to IP67
- Color coded flying lead terminations
- Internal reverse protection diode fitted as standard
- Configured to work as a tri-color indicator; red/amber/green
- Available with common anode +ve or common cathode -ve
- Range of voltage options
- Can be used as a bi-color or tri-color LED indicator

Complete online datasheet: <http://ds.leds.co.uk/ds/614bicolourseries.pdf>  
<http://ds.leds.co.uk/ds/614tricolourseries.pdf>

## DIMENSIONS



Actual size.  
All dimensions measured in mm.

# 651 SERIES

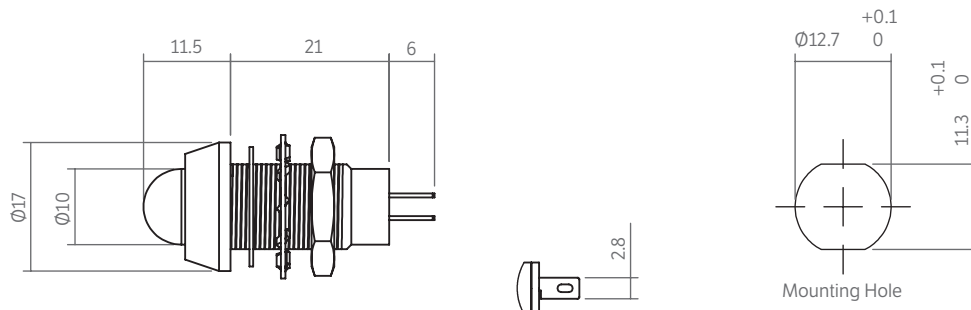
## SPECIFICATIONS



- $\varnothing 12.7\text{mm}$  (0.500") mounting
- Black anodized aluminum housing
- Color diffused lens with a wide viewing angle
- Sealed to IP67
- Suitable for high vibration applications
- Internal reverse protection diode fitted as standard in all voltage models
- Range of LED colors
- Range of voltage options
- Flying lead terminations available

Complete online datasheet: <http://ds.leds.co.uk/ds/651series.pdf>

## DIMENSIONS



Actual size.  
All dimensions measured in mm.