

# 660 SERIES

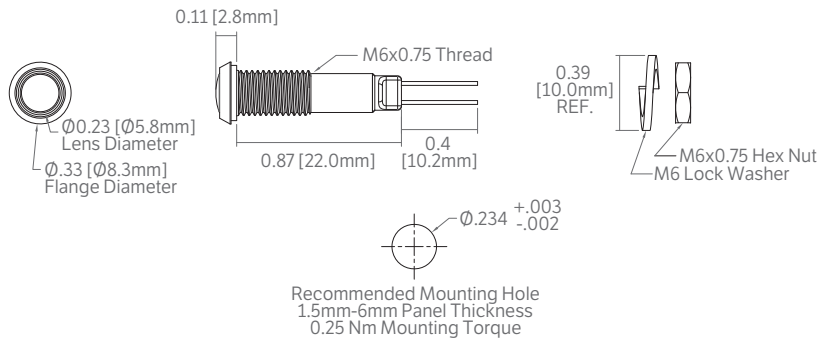
## SPECIFICATIONS



- $\varnothing 6.0\text{mm}$  (0.234") mounting
- Plastic housing
- Range of LED colors
- Sealed to IP67
- Solder pins or wire terminations
- Diffused lens
- True bi-polar product for low voltage DC applications
- Voltage input: 8-48 Vac/dc

Complete online datasheet: <http://ds.leds.co.uk/ds/660series.pdf>

## DIMENSIONS



Actual size.  
All dimensions measured in mm.

# 661 SERIES

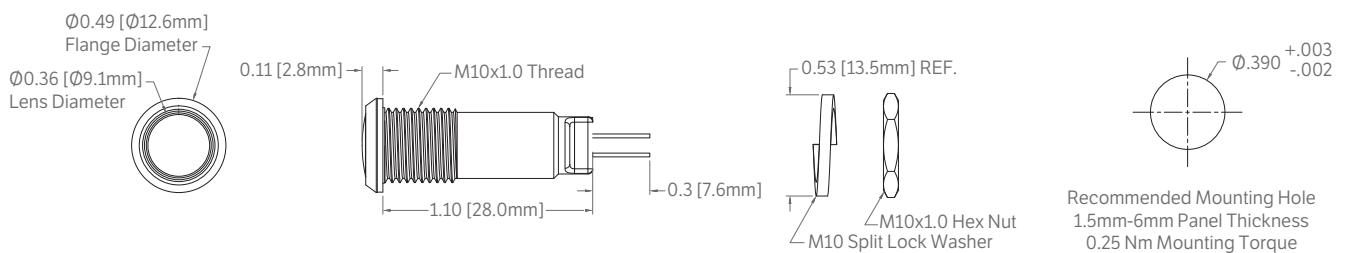
## SPECIFICATIONS



- $\varnothing 9.9\text{mm}$  (0.390") mounting
- Plastic housing
- Range of LED colors
- Sealed to IP67
- Solder pins or wire terminations
- Diffused lens
- Range of voltage options
- True bi-polar product for low voltage DC applications
- Voltage input: 8-48 Vac/dc

Complete online datasheet: <http://ds.leds.co.uk/ds/661series.pdf>

## DIMENSIONS



Actual size.  
All dimensions measured in mm.