

692 SERIES

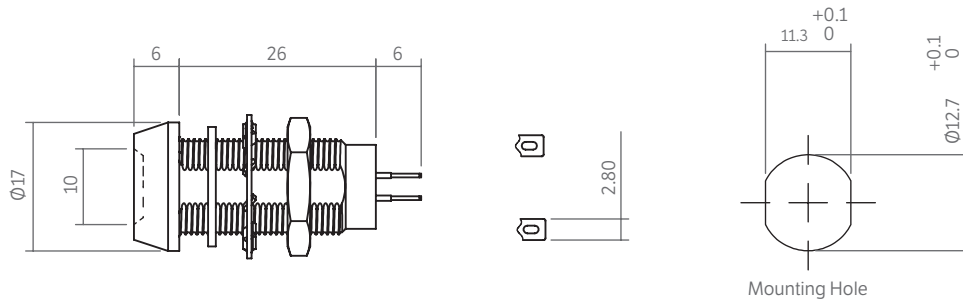
SPECIFICATIONS



- $\varnothing 12.7\text{mm}$ (0.500") mounting
- Black anodized aluminum housing
- Flame retardant flying lead options
- Sealed to IP67
- Color diffused lens
- Fully internally potted to resist shock and vibration
- Internal reverse protection diode fitted as standard
- Range of LED colors
- Range of voltage options

Complete online datasheet: <http://ds.leds.co.uk/ds/692series.pdf>

DIMENSIONS



696 SERIES

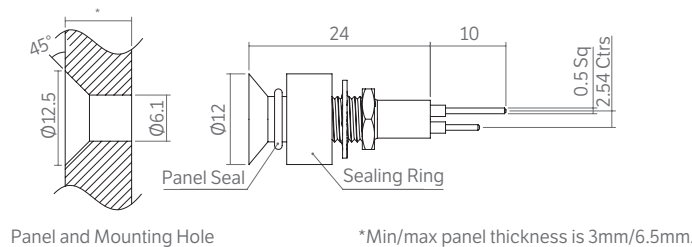
SPECIFICATIONS



- $\varnothing 6.1\text{mm}$ (0.240") mounting
- Black anodized aluminum housing
- Counter sunk mounting for flush styling
- Sealed to IP67 and vandal resistant
- Flying lead terminations available
- Color diffused lens with a wide viewing angle
- Internal reverse protection diode fitted as standard in all voltage models
- Range of LED colors
- Range of voltage options

Complete online datasheet: <http://ds.leds.co.uk/ds/696series.pdf>

DIMENSIONS



Actual size.
All dimensions measured in mm.