

698 SERIES

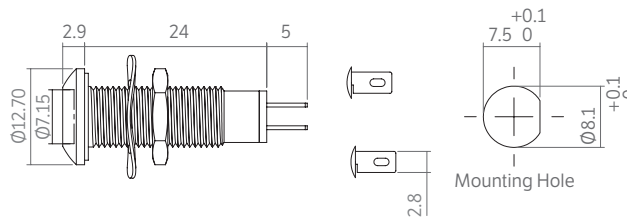
SPECIFICATIONS



- $\varnothing 8.1\text{mm}$ (0.318") mounting
- Product will operate over a wide input voltage range
- Black anodized aluminum housing, sealed to IP67
- Smoked lens style
- Fully internally potted to resist shock and vibration
- True bi-polar product for low voltage DC applications
- Other voltages, including DC options, are available
- Range of LED colors
- Flying lead terminations available

Complete online datasheet: <http://ds.leds.co.uk/ds/698series.pdf>

DIMENSIONS



Actual size.
All dimensions measured in mm.

699 SERIES

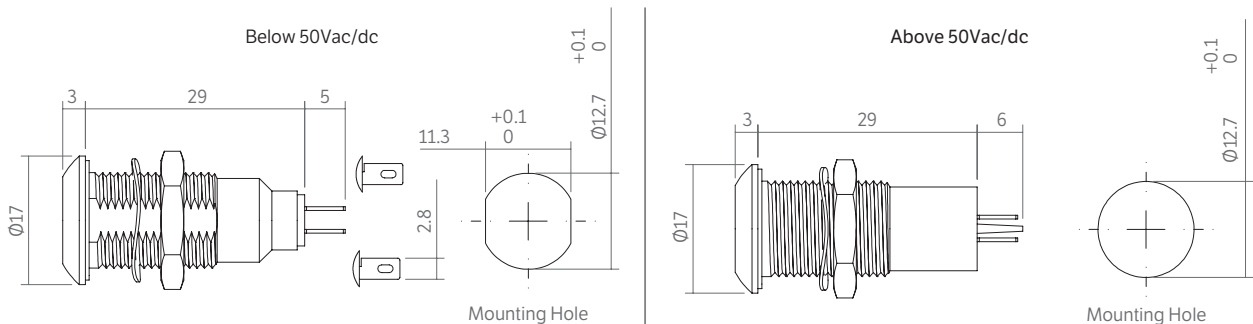
SPECIFICATIONS



- $\varnothing 12.7\text{mm}$ (0.500") mounting
- Product will operate over a wide input voltage range
- Black anodized aluminum housing, sealed to IP67
- Color diffused lens
- Fully internally potted to resist shock and vibration
- True bi-polar product for low voltage DC applications
- Other voltages including DC options are available
- Range of LED colors
- Flying lead terminations available

Complete online datasheet: <http://ds.leds.co.uk/ds/699series.pdf>

DIMENSIONS



Actual size.
All dimensions measured in mm.