

# SWITCH CATALOG



# PUSHBUTTON SWITCHES

## Series - 8870, 8809

## Special Designed Pushbutton Switches

### FEATURES

- All switches employ momentary action
- Foot or hand operation designs
- Plunger has ice and mud scraper
- Mechanical lock on 8909K559
- Mechanical lock has spring loaded release design
- Logic to power switching load capability

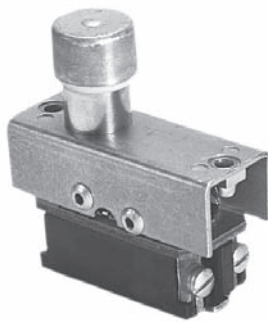
### SPECIFICATIONS

- MS approved and QPL'd to MIL-PRF-8805
- Temperature Range: -40°F to +185°F (-40°C to +85°C)
- Life: 20,000 operations at rated load  
50,000 operations mechanical life

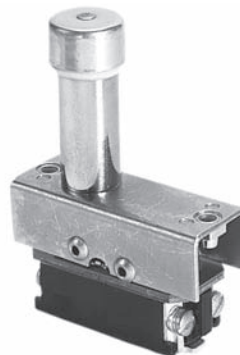
### CURRENT RATINGS

Catalog Number	28VDC			115VAC 60 or 400Hz		
	Resistive Load	Inductive Load	Lamp Load	Resistive Load	Inductive Load	Lamp Load
8870K2	25	10	4	15	7.5	2
8870K3	25	10	4	15	7.5	2
8870K4	25	10	4	15	7.5	2
8870K5	25	10	4	15	7.5	2
8909K559	6	—	—	6	—	—

### SELECTION TABLE



8870K2 & K4



8870K3 & K5



8909K559

Poles and Throw	Circuit Arrangement		Mounting	Features	Government Part Number	Catalog Number
	Normal	Depressed				
1 P.S.T.	OFF	ON*	Flush <sup>②</sup>	Microphone PB Switches Foot Operated	M8805/55-001 M8805/55-002 M8805/55-003 M8805/55-004	8870K2 8870K3 8870K4 8870K5
2 P.S.T.	OFF	ON*	Flush <sup>②</sup>	Roller Operated	—	8909K559 <sup>①</sup>

\* Momentary contact.

<sup>①</sup>Electrical life of 8909K559 is 12,000 operations.

<sup>②</sup> See page B25 for mounting data.

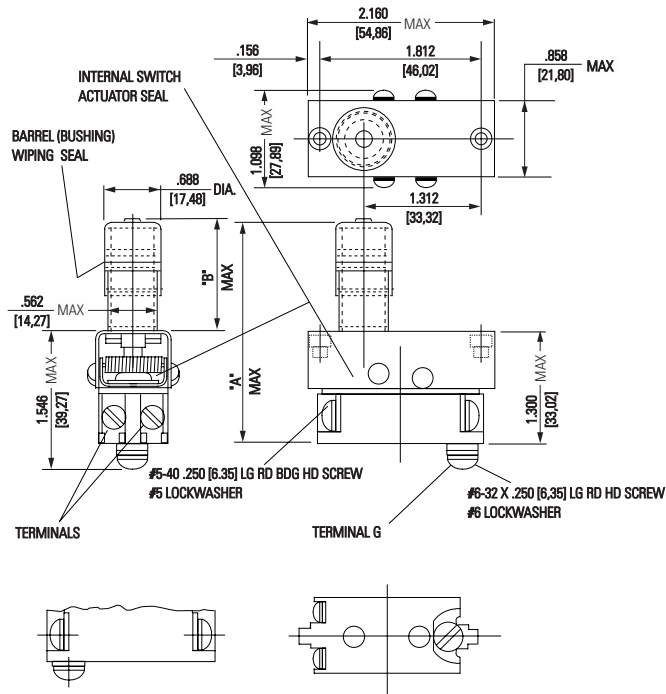
### OPTIONS/ACCESSORIES

- Terminal screws furnished assembled
- Double throw contacts - 8870
- Special marking

# Series - 8870, 8809

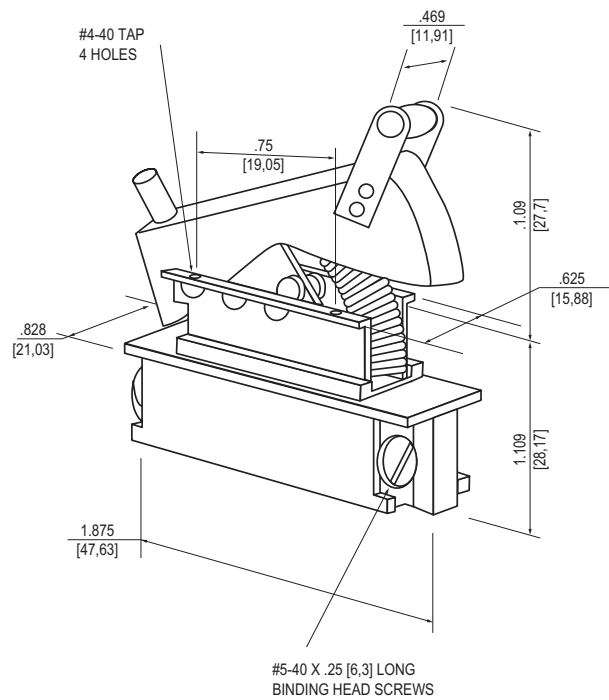
# PUSHBUTTON SWITCHES Special Designed Pushbutton Switches

## APPROXIMATE DIMENSIONS - 8870K2, K3, K4, K5



8870K5	2.968	1.660	6-32 UNC-2B
8870K4	2.218	.910	6-32 UNC-2B
8870K3	2.968	1.668	6-40 UNF-2B
8870K2	2.218	.910	6-40 UNF-2B
CAT.NO.	A	B	INSERT & NUT THREAD

## APPROXIMATE DIMENSIONS - 8909K559



**STANDARD**  
0.00 = inches  
[0,0] = mm

Dimensions for reference only.