

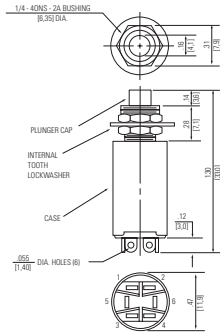
PUSHBUTTON SWITCHES

Sub-Miniature Pushbutton Switches

SERIES TYPE APPROXIMATE DIMENSIONS SELECTION TABLES



B7070
Two Pole

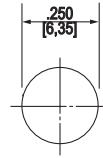
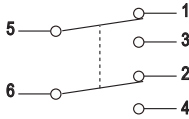


Catalog Number	Military Part Number	Case Color	Button Color
B7070	M8805/95-001	Clear	Black
B7070R	M8805/95-002	Clear	Red
B7070B	M8805/95-003	Black	Black
B7070BR	M8805/95-004	Black	Red

Solder Terminals

SCHEMATIC DIAGRAMS - BR7070 PANEL CUT-OUT

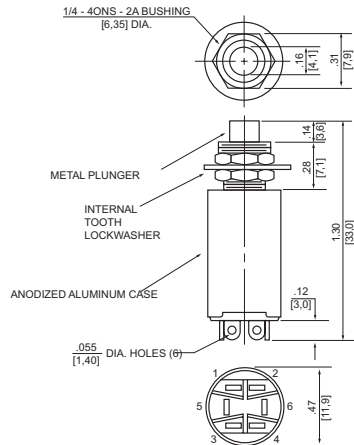
D.P.D.T.



PANEL MTG HOLE DIMENSIONS



BR7070*
Two Pole



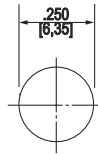
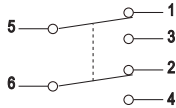
Catalog Number	Case Color	Button Color
BR7070*	Clear	Clear

*EMI/RFI shielded

Solder Terminals

SCHEMATIC DIAGRAMS - BR7070* PANEL CUT-OUT

D.P.D.T.



PANEL MTG HOLE DIMENSIONS

STANDARD
0.00 = inches
[0,0] = mm

Dimensions for reference only.