

SWITCH CATALOG



Series - J4004 Alternate Action

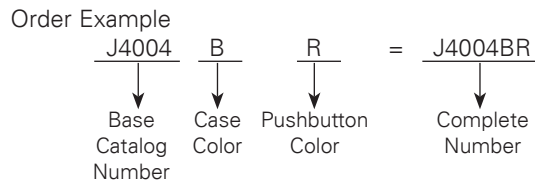
PUSHBUTTON SWITCHES Alternate Action Pushbutton Switches

FEATURES		SPECIFICATIONS		CURRENT RATINGS				
<ul style="list-style-type: none"> • Alternate action • Snap action mechanism • Single piece case construction • Two case and four button colors available 	<ul style="list-style-type: none"> • Single pole, two circuit • Operating force: 2 ± 0.75 lb (8.8N \pm 3.3N) • Mechanical life: 50,000 operations minimum • Total plunger travel: 0.172in. (4.37mm) approx. • Weight (approx.): 0.32 lbs (15g) • Solder lug terminals 	Part Number J4004	Number of Poles 1	Type of Operation Alternate	28VDC		125VAC	
					Resistive Load	Inductive Load	Resistive Load	Inductive Load^①
					10	5	10	5


① p.f.=.75

WHEN ORDERING SPECIFY...

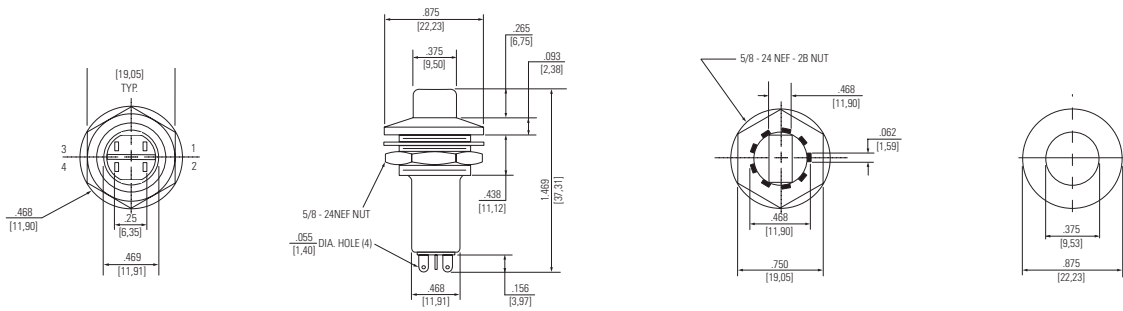
• **Catalog number of base switch** - followed by suffix letters for color of case and pushbutton



SELECTION TABLE

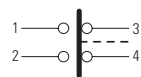
SERIES AND TYPE						
 J4004 Series	Base Catalog Number	Circuit	Case Color		Plunger Color	
			Color	Code Suffix	Color	Code Suffix
	J4004	1 P-2 Ckt.	Black	B	Gray	GY
			Clear	None	White	W
					Red	R
					Black	None

APPROXIMATE DIMENSIONS



SCHEMATIC DIAGRAM

STANDARD
0.00 = inches
[0,0] = mm



Dimensions for reference only.