



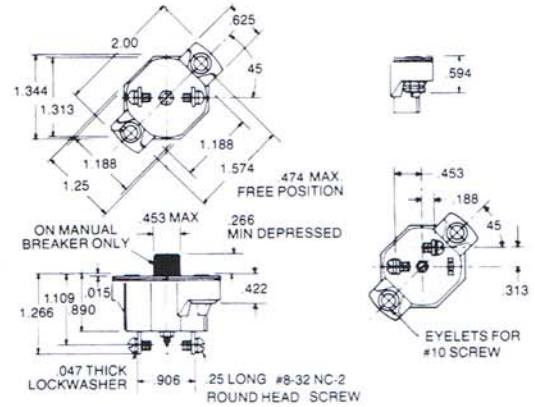
PDM – Manual reset
PDA – Automatic reset

PDM		PDA	
Amp Rating	Part Number	Amp Rating	Part Number
2	PDM-2	2	PDA-2
3	PDM-3	3	PDA-3
4	PDM-4	4	PDA-4
5	PDM-5	5	PDA-5
6	PDM-6	6	PDA-6
8	PDM-8	8	PDA-8
10	PDM-10	10	PDA-10
12½	PDM-12½	12½	PDA-12½
15	PDM-15	15	PDA-15
17½	PDM-17½	17½	PDA-17½
20	PDM-20	20	PDA-20
25	PDM-25	25	PDA-25
30	PDM-30	30	PDA-30
35	PDM-35	35	PDA-35
40	PDM-40	40	PDA-40



Note: Eyelets for #10 screw are standard. Eyelets for #8 screw or self-locking nuts for 10-32 screws furnished only when specified on order.

PDM and PDA Envelope drawing



35 to 150 Amp Precision/Military Circuit Breakers – Weatherproof PDLM, PDLA

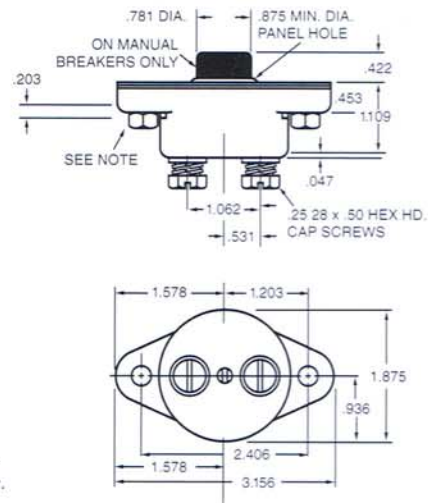
PDLM – Manual reset
PDLA – Automatic reset

PDLM		PDLA	
Amp Rating	Part Number	Amp Rating	Part Number
35	PDLM-35	35	PDLA-35
40	PDLM-40	40	PDLA-40
45	PDLM-45	45	PDLA-45
50	PDLM-50	50	PDLA-50
60	PDLM-60	60	PDLA-60
70	PDLM-70	70	PDLA-70
80	PDLM-80	80	PDLA-80
90	PDLM-90	90	PDLA-90
105	PDLM-105	105	PDLA-105
120	PDLM-120	120	PDLA-120
135	PDLM-135	135	PDLA-135
150	PDLM-150	150	PDLA-150



Note: Eyelets for #10 screw are standard. Eyelets for #8 screw or self-locking nuts for 10-32 screws furnished only when specified on order.

PDLM and PDLA Envelope drawing



175 & 200 Amp Precision/Military Circuit Breakers – Weatherproof 7855, 7856

7855-6 – Manual reset (10 oz or 283.49 gms)
7855-7 – Automatic reset (8¾ oz or 248.05 gms)



7855-6 and 7855-7 Envelope drawing

7855-6

Amp Rating	Part Number
175	7855-6-175
200	7855-6-200

7855-7

Amp Rating	Part Number
175	7855-7-175
200	7855-7-200

