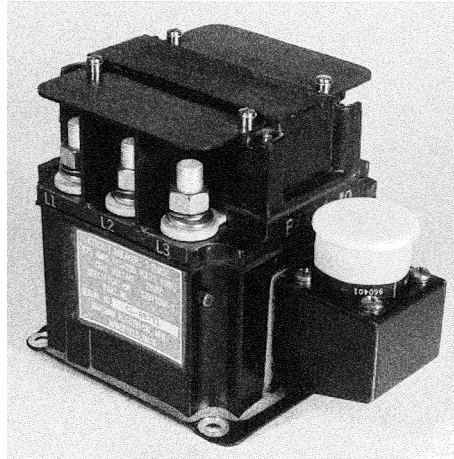


**B-484 Series, Rated up to 500 Amps, 115/200 VAC, 400 Hz**

**See Part Number Listing on Last Page**

**Product Facts**

- 3PDT, Magnetic latching
- Gasket sealed
- Auxiliary contacts available
- Meets many requirements of MIL-PRF-6106



**Performance Data**

**Electrical Characteristics**

- Contact Arrangement** — 3PDT, Magnetic Latching
- Rated Operating Voltage** — 115/200 VAC, 400 Hz, 3 phase
- Resistive Rating, Continuous** — 500 Amps
- Inductive Rating** — 500 Amps
- Interrupt Rating** — 6,500 Amps

**General Characteristics**

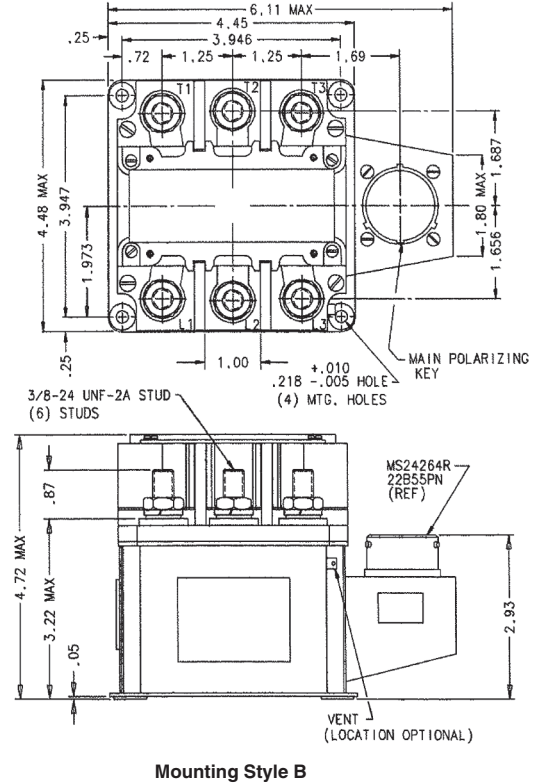
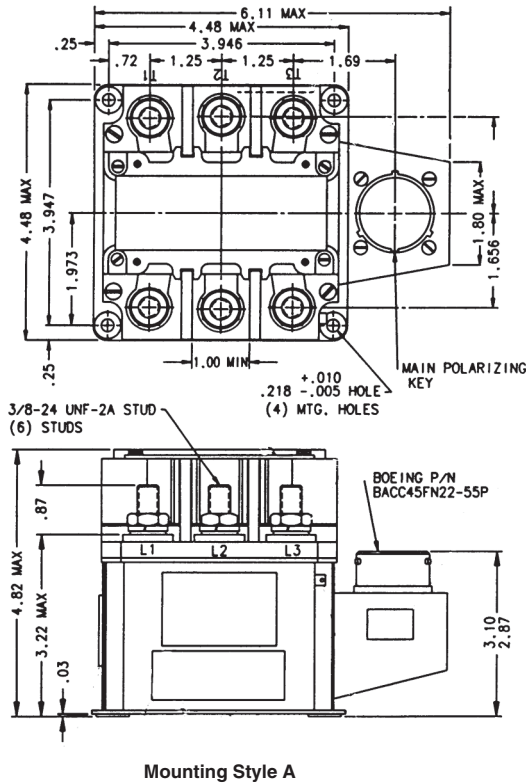
- Temperature Range** — -54°C to +71°C
- Operating Cycles (Life) at Rated Resistive Load, Min.** — 50,000 cycles
- Operating Cycles (Life) Mechanical, Min.** — 100,000 cycles
- Dielectric Strength** — All Circuits to Ground — 1,500 Vrms  
Circuit to Circuit — 1,500 Vrms  
Coil to Ground and Aux. Contacts — 1,000 Vrms
- Insulation Resistance, Initial** — 100 megohm min.
- Altitude** — 45,000 ft.
- Weight, Max.** — 4.5 lbs

**Coil Characteristics**

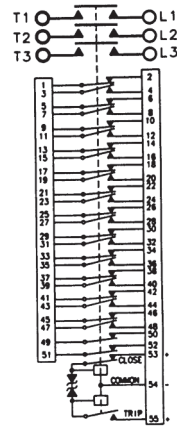
- Duty Cycle** — Continuous, self-deenergizing
- Close Voltage** — Min. — 15 Vdc  
Max. — 29 Vdc
- Trip Voltage** — Min. — 15 Vdc  
Max. — 29 Vdc

For factory-direct application assistance, phone 419-521-9500 or fax 419-526-2749.

**B-484 Series, Rated up to 500 Amps, 115/200 VAC, 400 Hz (Continued)**



**Circuit Configurations (Consult factory for other available circuit configurations)**



**Circuit Configuration 1**

HARTMAN Part Number	Construction Type	Mounting Style	Coil Type	Circuit Config.	TE Part Number
B-484	Gasket/Vented	A	Continuous, Self-Deenergizing	1	1616023-4
B-484C	Gasket/Vented	B	Continuous, Self-Deenergizing	1	1616023-5

For factory-direct application assistance, phone 419-521-9500 or fax 419-526-2749.