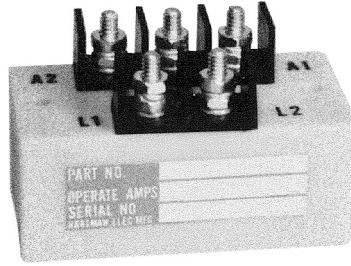


QR-50 Series Relay, AC Current Indicator, Rated up to 15 Amps, 115 VAC

Product Facts

- SPDT
- Environmentally sealed
- Meets many requirements of MIL-PRF-6106



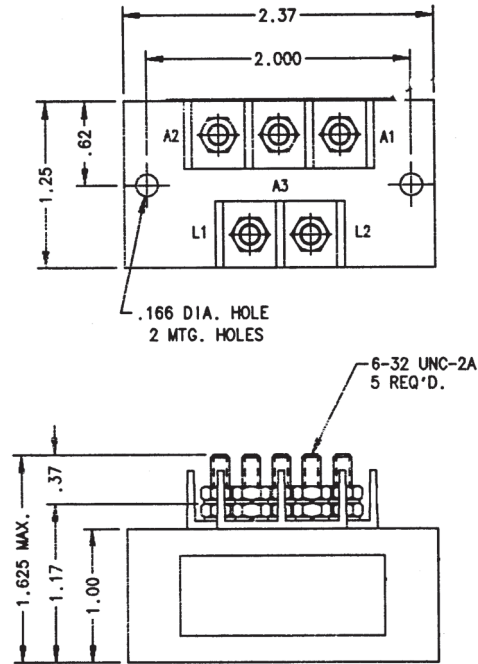
Performance Data

Electrical Characteristics

- Contact Arrangement** — SPDT
- Resistive Rating @ 28 Vdc** — .25 Amp
- Lamp Load @ 28 Vdc** — .08 Amp
- Operating Voltage, Nom.** — 115 VAC, 1 Phase, 400 Hz
- Pickup Max.** — 6 Amp, AC
- Dropout Min.** — 2.4 Amp, AC
- Sensing Current Rating** — 15 Amp, AC Continuous

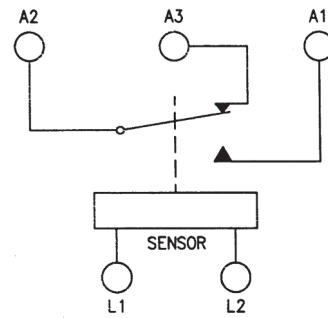
General Characteristics

- Temperature Range** — -55°C to +71°C
- Altitude** — 50,000 ft
- Weight, Max.** — .19 lbs
- Sinusoidal Vibration** — 10 G to 500 Hz



Mounting Style A

Circuit Configurations (Consult factory for other available circuit configurations)



Circuit Configuration 1

For factory-direct application assistance, phone 419-521-9500 or fax 419-526-2749.

HARTMAN Part Number	Construction Type	Mounting Style	Duty Cycle	Circuit Config.	TE Part Number
QR-50H	Environmentally Sealed	A	Continuous	1	1616132-1