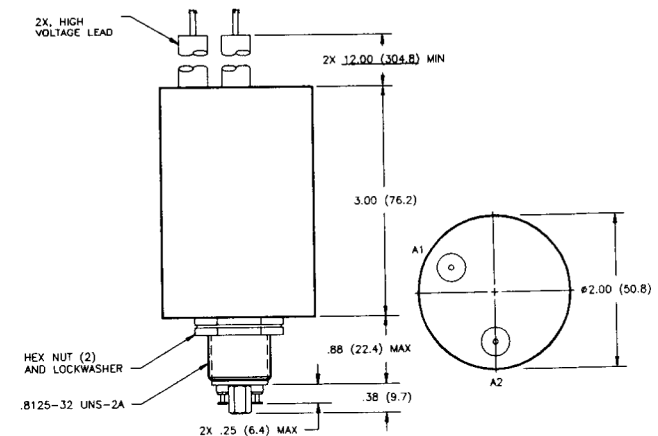
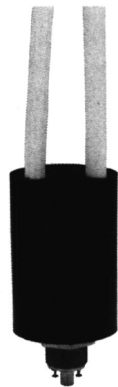


**K70 Series Make Only Load Switching — 70 kV Relays**

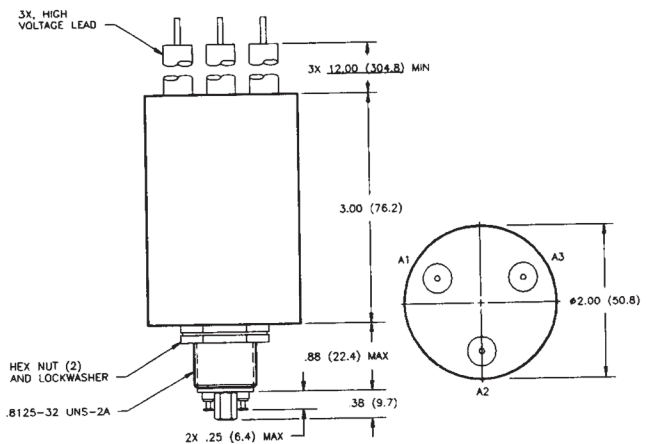
**K70A and K70B Product Facts**

- New, small, compact 70 kV relay package
- SF-6 gas-filled for capacitive discharge and high voltage isolation applications
- Suitable for charging and discharging of high voltage capacitors
- Safe for use in adverse environments



**K70C Product Facts**

- SPDT version of K70A
- SF-6 gas-filled for capacitive discharge and high voltage isolation applications
- Suitable for charging and discharging of high voltage capacitors



**Product Specifications for K70A, K70B and K70C**

- Contact Arrangement** —  
 K70A — SPST-NO  
 K70B — SPST-NC  
 K70C — SPDT
- Contact Form** —  
 K70A — A  
 K70B — B  
 K70C — C
- Test Voltage, DC or 60 Hz (Peak)** —  
 75 kV
- Rated Operating Voltage (Peak)** —  
 DC — 70 kV  
 60 Hz RMS — 30 kV
- Continuous Carry Current, Max.** —  
 DC or 60 Hz — 10 A  
 Coil Hi-Pot (Vrms, 60 Hz) — 500 A
- Contact Capacitance** —  
 Between Open Contacts — N/A  
 Open Contacts to Ground — N/A
- Contact Resistance, Max.** —  
 2.0 ohm\*

For factory-direct application assistance, dial 800-253-4560, ext. 2055, or 805-220-2055.

- Operate Time, Max.** — 20 ms  
**Release Time, Max.** — 15 ms  
**Shock, 11ms, 1/2 Sine (Peak)** —  
 20 g  
**Vibration** —  
 Peak — 10 g (55 to 500 Hz)  
**Operating Ambient Temperature Range** — 0°C to +85°C  
**Mechanical Life** — 500,000 cycles  
**Weight, Nominal** —  
 510.3 g (18 oz.)

**Note:**  
 \*Contact resistance for gas-filled relays measured at 28 Vdc, 1 Amp

**Coil Data**

Volts, Nominal	26.5 Vdc
Pickup, Max.	22 Vdc
Dropout	1-10 Vdc
Coil Resistance (±10%)	75 Ω

Ratings listed are for 25°C, sea level conditions

**Ordering Information**

