

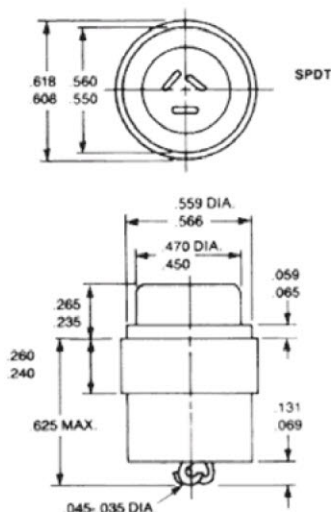
# Klixon® AT Pushbutton Package Designs

- Available in a wide variety of packaging styles
- Packaging options are available for one, two, or multiple poles
- Custom packaging is available to suit your needs, whatever they may be

Klixon



Listed below is information about a popular device in this category.



Part Numbers	Typical Actuation Characteristics			
<b>AT390</b> <b>10AT421</b>	<b>Typical Actuation Characteristics</b>	<b>SPDT</b>	<b>DPDT</b>	<i>These pushbutton switches are designed to be thumb or finger actuated. A variety of panel or other mounting means are available.</i>
	Maximum Actuating Force (STP)	40 oz.	8 oz.	
	Minimum Release Force (STP)	- - -	1 lb.	
	Button Seal / MIL-PLF-8805	- - -	- - -	
	Maximum Pretravel	.040 inch	.020 inch	
	Maximum Movement Differential	- - -	.010 inch	
	Minimum Overtravel	- - -	.200 inch	
	Positive Overtravel Stop	No	No	
	Maximum Force on Actuator	25 lb.	30 lb.	