

Actuators for the Klixon® KX Series Sine Switch

- Stainless steel
- Constructed to withstand exposure to very high temperature
- Rugged, dependable, and designed for long life
- Auxiliary roller leaf, roller, toggle, and neck mounted pushbutton actuators providing additional overtravel are available
- Potted leads can be supplied
- Six standard actuator types (*scroll to bottom for images*)

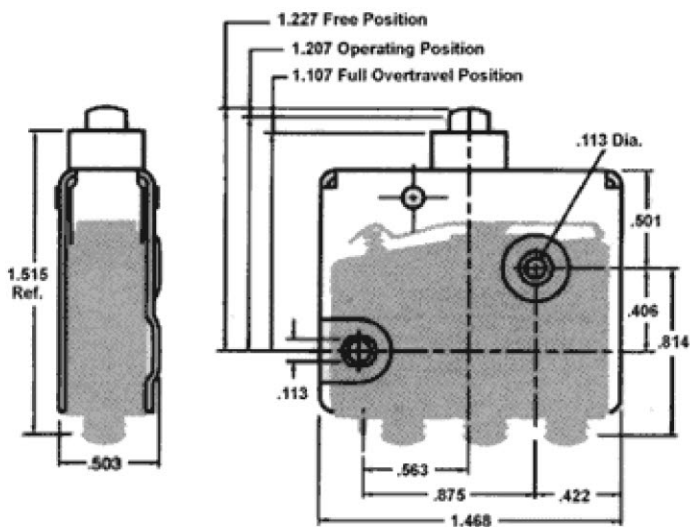
All actuators are made entirely of stainless steel and are capable of withstanding exposure to very high temperatures.

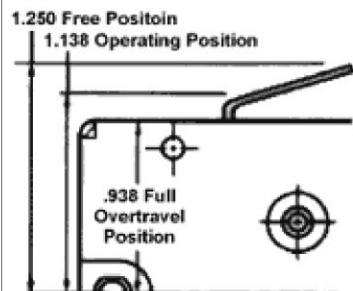
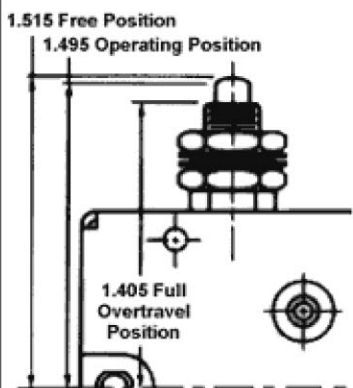
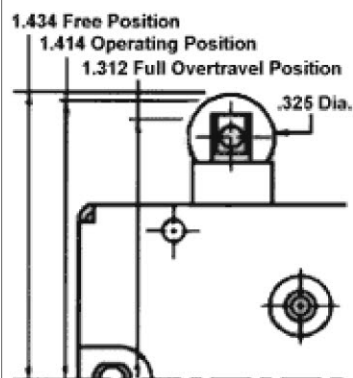
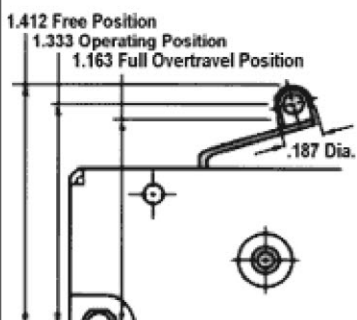
They are constructed with rugged, positive stops and dependable, long-life torsional springs. The basic design provides a stop for the actuator or plunger.

All actuators shown can be used with any KX4-1 or KX5-1 series switch. KX5-2 series switches require actuators with higher actuating force.

Important: When using one of the C9600 series actuators with a KX switch, refer to the terminal nomenclature stamped on the actuator housing.

C9614-1 Plunger Actuator



C9617-1 Leaf Actuator**C9616-2 Roller Plunger Actuator****C9616-1 Roller Leaf Actuator****C9616-1 Plunger Actuator****21100-1 Toggle Actuator**