



# KLIXON® | PS Series (PSM, PSA)

## 2 to 35 Amp Precision Thermal Circuit Breaker

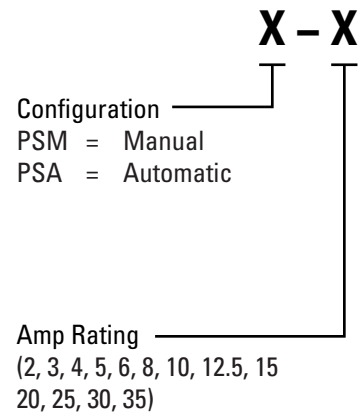
### FEATURES

- 30VDC, 2 to 35 Amps
- Available in manual and automatic reset options
- PSM meets CID A-A-55571/06 specifications
- PSA meets CID A-A-55571/05 specifications
- UL Recognized E36869

### DESCRIPTION

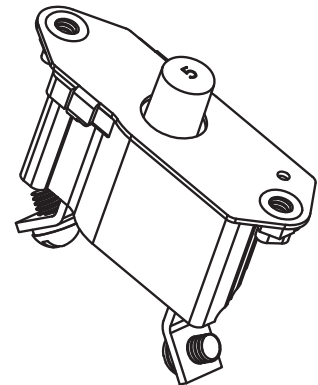
The KLIXON® PS series of breakers are designed to interrupt short circuits or overloads and combines trip-free protection with fast response time. The PS series thermal breaker is ideal for commercial and military vehicle equipment where precise ultimate trip characteristics are required.

### ORDERING INFORMATION

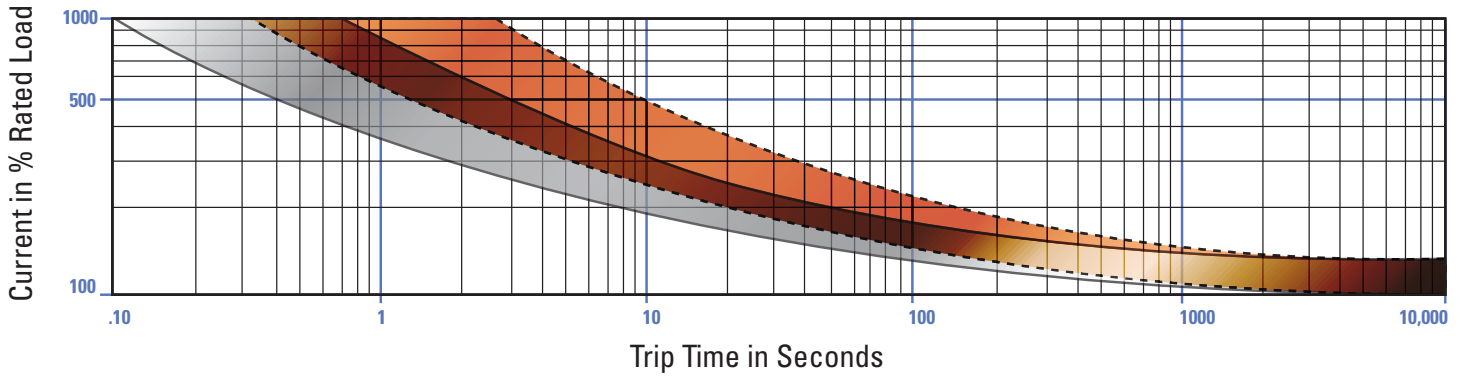


### PERFORMANCE CHARACTERISTICS

Calibration : 200% rated current, 77°F (25°C)	≤10A for 20 to 150 seconds >10A for 8 to 50 seconds
Ultimate Trip At 77°F (25°C)	Must hold 100%, Must trip 138%
Endurance	Automatic: 2,000 cycles @ 200% rated current Manual: 500 cycles @ 200% rated current
Interrupt Current Capacity	Per SAE J553, 600A
Vibration	10G MIL-STD-202 Method 204, Condition A
Mechanical Shock	100G MIL-STD-202 Method 213, Condition C
Dielectric Strength	MIL-STD-202, Method 301, 1500VAC min
Insulation Resistance	MIL-STD-202, Method 302, Condition B, 100 MΩ min
Weight	PSA : 30 grams max PSM : 32 grams max

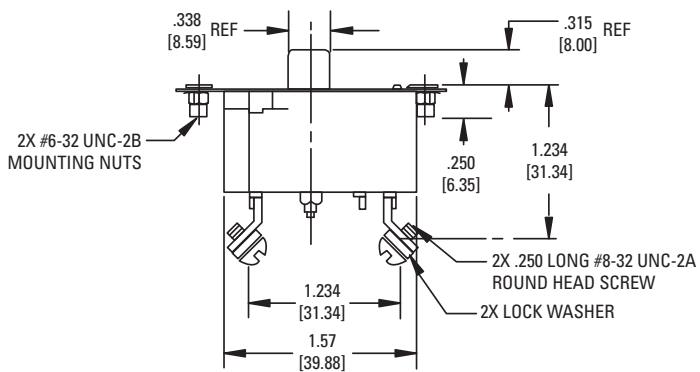
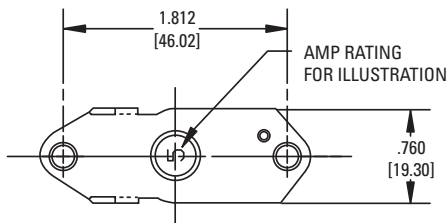


### TRIP CURVE - Approximate Time, Current Characteristics At 77°F (25°C)



Dotted Lines: 10 amps or below  
 Solid Lines: Above 10 amps

### DIMENSIONS - PSM (10 amps or less)



### DIMENSIONS - PSM (over 10 amps)

