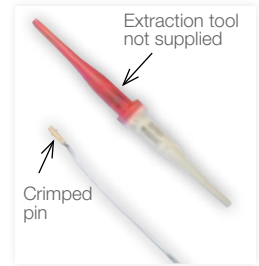


# ACCESSORIES

## ACCESSORIES



### REFERENCES

Rating	Gag	Caps	Covers	Auxiliary contact pin
red gag	23 422 009			
grey cap	panel hole diam 12.5mm	24 323 003		
brown cap	panel hole diam 12.5mm	24 323 005		
opaque covers	Barrel M12*1		79 254 157	
	Barrel M12*0.75		79 254 154	
	Barrel 15/32		79 254 155	
	Barrel 7/16		79 254 156	
clear covers (see through)	Barrel M12*1		79 254 150	
	Barrel M12*0.75		79 254 151	
	Barrel 15/32		79 254 152	
Barrel 7/16		79 254 153		
male pin	EN 3155 -016M 2018			25 637 611

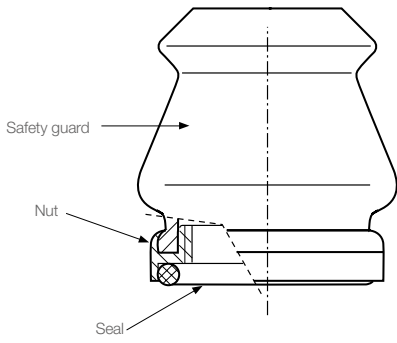
Other information				
crimping tool for pin 25637611:		crimp tool: M22520/1-01 and crimp locator: M22520/1-02		
insertion extraction tool:		Ref. Deutsch: 020-0008-20		
male pin		Ref. Deutsch: 006-0912-20		

### CONFORMITY STANDARD

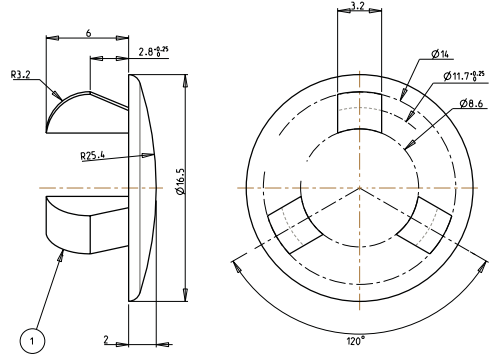
IP66 & 67				
VG 95345 chap. 23				

### DIMENSIONS

79 254 -150 to -157



24 323 003 24 323 005

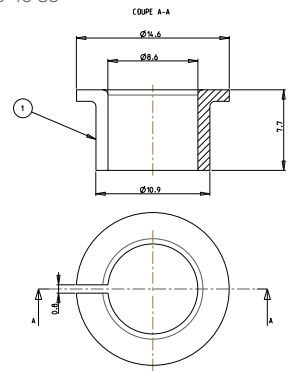


**Caution:** For good water proofness: the CB pannel must be 2.5 mm thick and positioning key hole must be «blind». Torque of 4 N.m must be applied to the nut ; not on the cover.

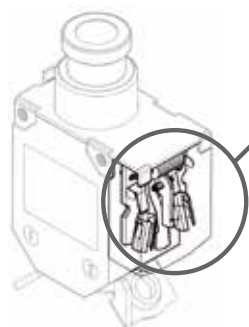


23 422 009

EC 79 25 40 85



25 637 611



Connector pins for auxiliary contacts:  
EN 3155 - 016 M2018  
Wire gage: 18 to 24 (0.21 to 0.93mm<sup>2</sup>)