

# BIG MODEL CIRCUIT BREAKER SINGLE POLE

## DGMU



### REFERENCES

Rating	No signal contact	No signal contact long trip time	Non polarised/polarised signal contact	Polarised signal contact		
15 A	84 306 015					
20 A	84 306 020	84 306 016	84 306 320/620	84 306 316/616	84 306 645/655	
25 A	84 306 025	84 306 017	84 306 825	84 306 325/625	84 306 317/617	84 306 643/653
30 A	84 306 030		84 306 830	84 306 330/630		
35 A	84 306 035	84 306 018	84 306 835	84 306 335/635	84 306 318/618	84 306 644/654
40 A	84 306 080		84 306 840	84 306 340/640		
50 A	84 306 050	84 306 019	84 306 850	84 306 350/650	84 306 319/619	84 306 642/652
60 A			84 306 860	84 306 321/621		

Mounting hardware							
Threaded barrel	M12-0.75	●	●	●	●	●	●
	M12-100						
	7/16						
Terminal Screw	8-32 UNC	●	●	●	●	●	●
	M4	●	●	●	●	●	●
Hole ø5.5 for Bus-Bar & 40° angle							●

Button							
Green color					●	●	●
Black color		●	●	●			

Conformity standard							
EN 2794		003	004				
EN 3661					004/005	004/005	006
BACC 18R&18X like				●			

Mass / MTBF / Vibration / Technical file							
Mass without mounting hardware (g)		61	61			66	
Mass with mounting hardware (g)		65	65			70	
MTBF FH (Typical)		> 10 M	> 10 M			> 6 M	
MIL vibration condition Sinus/Random		A & C	A & C			A & C	
Technical File		-	SP4393	-	-	SP4339	SP9300

### GENERAL CHARACTERISTICS

Electrical				
		28 VDC	115 VAC (400 Hz)	115 VAC 60 Hz-230 VAC 50Hz
Breaking current 1co + 2OCO		4000 A ; 2000 A long trip	2000 A ; 1500 A long trip	CONTACT CROUZET
Dielectric		1500 V	1500 V	
Endurance (electric overloads)		5000 (with L/R: 5 ms)	5000 (with cos fi: 0.7)	
Insulation resistance		above 100 MΩ	above 100 MΩ	
Working life (endurance) at 5xRC		50 cycles	50 cycles	
Voltage drop compliance		EN2794/3661	EN2794/3661	

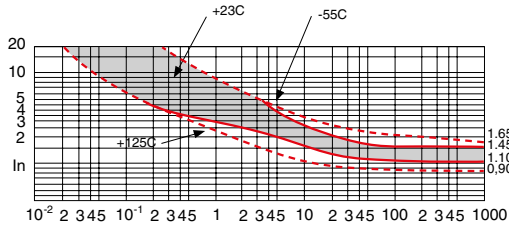
Mechanical			
Operating force		3,5N<push<55N / 5N<pull<40N	
Endurance (manual open/close)		no load : 5 000 cycles	
Tightening torque		barrel nut: recommended: 4 ± 0.25 N.m maximum : 5.5 N.m	terminal screw: recommended: 2.35 ± 0.15 N.m maximum : 2.5 N.m

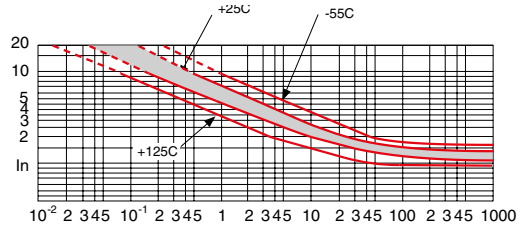
Environmental		
Salt spray		48h / 5% NaCl
Humidity: Test b		RTCA DO160 / 10 cycles
Operating temperature		-60°C +125°C
Acceleration (centrifugal)		up to 17g
Shock		50 g 3 halfsine 11 msec 6 directions
Vibration (sinusoidal)		10 g-PK from 70 to 20000 Hz (MIL STD202 method 204 D condition A with 90 % of RC)
Vibration (random at RC)		9.26 Grms (MIL STD202 method 214 A condition C with 90 % of RC)

CURVES

Standard trip time (EN compliant)

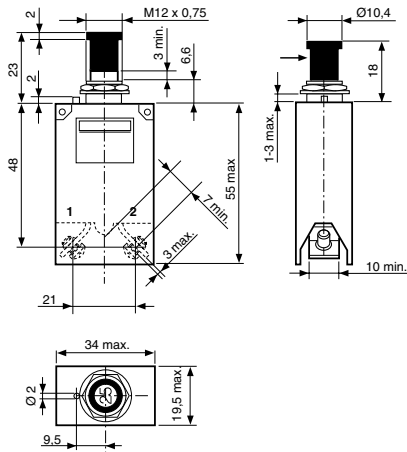


Long trip time

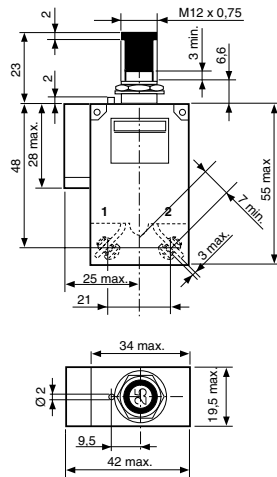


DIMENSIONS

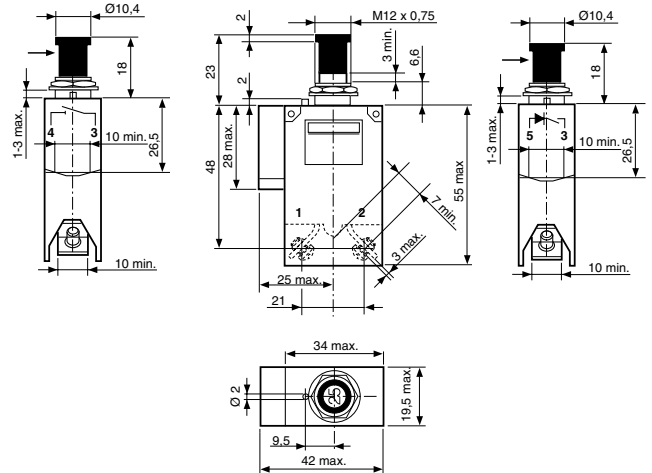
84 306 0 & 84 306 8



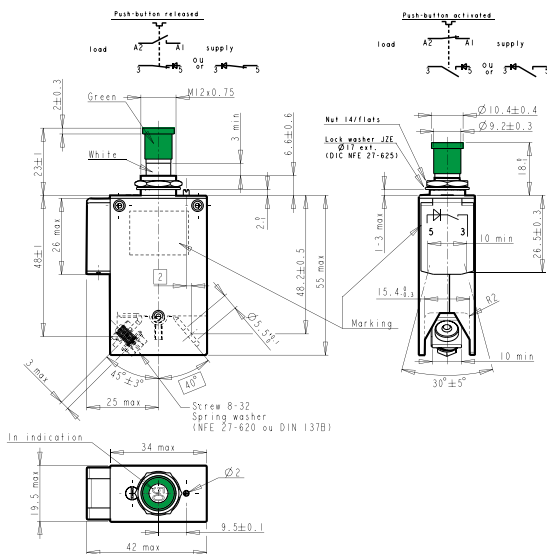
84 306 3



84 306 6



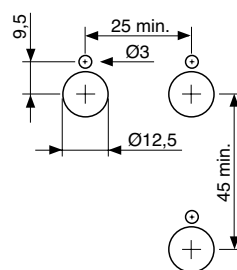
84 306 6 Bus-Bar EN 3661-006



PANEL CUTOUT RECOMMENDATION

Thickness 1.6 mm → 3 mm

Versions 84 306 0 - 3 - 6



84 306 6 Bus-Bar EN 3661-006

