



A COMPANY OF STPI GROUP

EL325

Military Specified

Meets MS27742

General Characteristics

Number of Poles:

Dimensions:

Weight:

3 Form C (3PDT)

1.025" x 1.025" x 1.010"

(26.0mm x 26.0mm x 25.7mm)

0.18 lb. (82 grams)

Switching Characteristics

Latch Time @ 25°C:

Reset Time @ 25°C:

Bounce Time:

Mechanical Life:

15 ms Max.

15 ms Max.

1 ms Max.

400,000 Cycles

Environmental Characteristics

Temperature Range:

Vibration (Sinusoidal):

Shock (any axis):

Seal:

-70°C to +125°C

30g 10-3,000 Hz

200g, 6 ms

Hermetic (1x10⁻⁸ atm cm³/s)

Electrical Characteristics

Contact Voltage Drop (at rated resistive load)

-Initial:

-After Guaranteed Life:

150 mV Max.

175 mV Max.

Dielectric Strength

Coil to Case @ Sea Level

-Initial @ 60 Hz:

-After Life Test @ 60 Hz:

All Other Points @ Sea Level

-Initial @ 60 Hz:

-After Life Test @ 60 Hz:

1,000 Vrms

1,000 Vrms

1,250 Vrms

1,000 Vrms

Insulation Resistance

-Initial:

-After Life Tests:

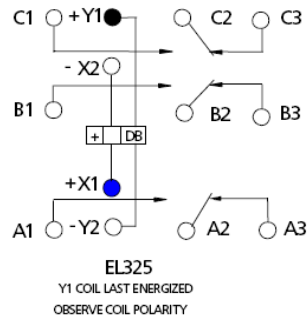
100 MΩ Min, @ 500 Vdc

50 MΩ Min, @ 500 Vdc

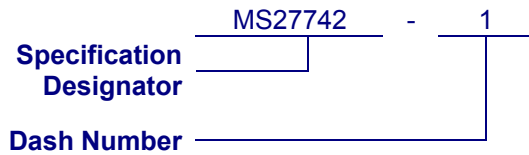
Contact Rating (Amps)

Type of Load (High Level)	Cycles x 10 ³	28 Vdc	115 Vac	115/200 Vac
			400 Hz 1 Phase	400 Hz 3 Phase
Resistive	50	25	25	25
Inductive	10	12	N/A	N/A
Inductive	20	N/A	15	15
Motor	50	10	10	10
Lamp	50	5	5	5

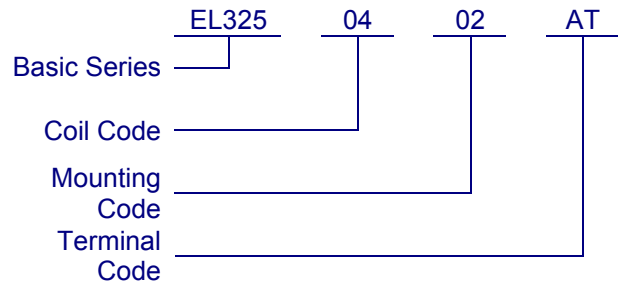
Circuit Diagram



Military Part Numbering



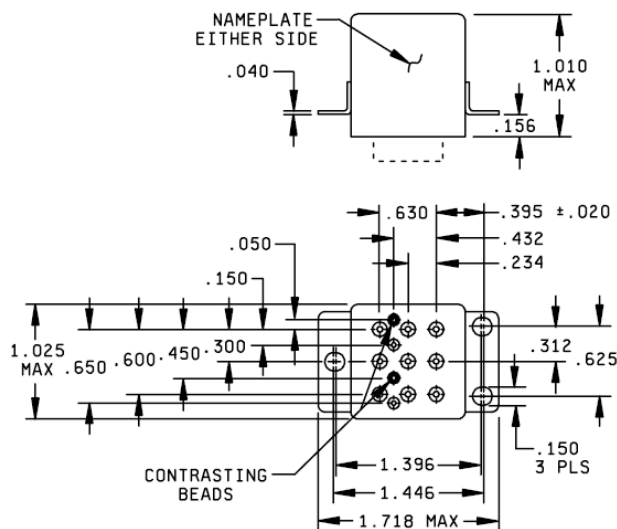
QPL Part Numbering



Dash Numbers – Specification Sheet Number 32: E325

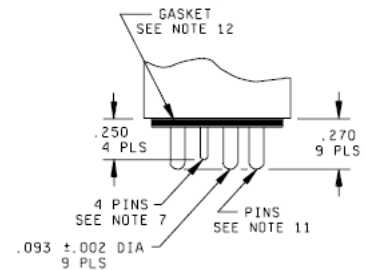
Dash Number	Coil Code	Mount	Terminals	Coil Voltage	Max Pickup Voltage at 25°C	Max Pickup Voltage at 125°C	Max Hold Voltage at 125°C	Min Dropout Voltage at -70°C	Coil Resistance (Ω, +/- 10% at 25°C)
1	04	02	AT	28	14.5	18.7	7	1.5	450
2	04	02	BG	28	14.5	18.7	7	1.5	450

Mounting Styles

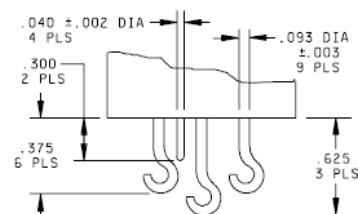


Mount 02:
Raised Vertical Flange Mount

Terminal Styles



Terminal BG:
Gold Plated Plug in



Terminal AT:
Tin Plated Solder Hook