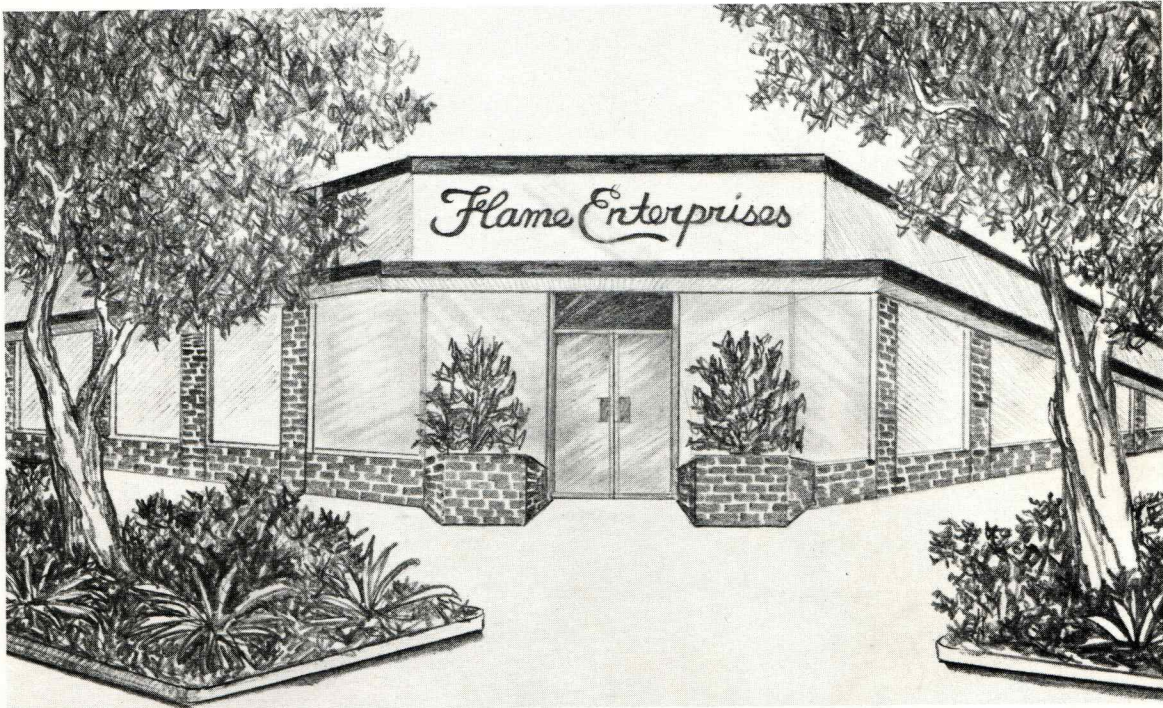




# FLAME ENTERPRISES

10865 Burbank Boulevard  
N. Hollywood, Ca. 91601

(213) 769-2442



# *Flame Enterprises*

10865 BURBANK BOULEVARD - NORTH HOLLYWOOD, CALIFORNIA 91601 - (213) 769-2442

## THE FLAME ENTERPRISE STORY

Flame Enterprise was established in the year 1969 as a distributor of electronic components. The intention was to specialize in the stocking and supplying of electromechanical parts to the Aerospace industry.

The formula of dedicated inventory and responsive knowledgeable service, quickly led to customer demands that we expand both our capabilities and facilities in order to meet the customer needs of the Electronic as well as the Aerospace markets.

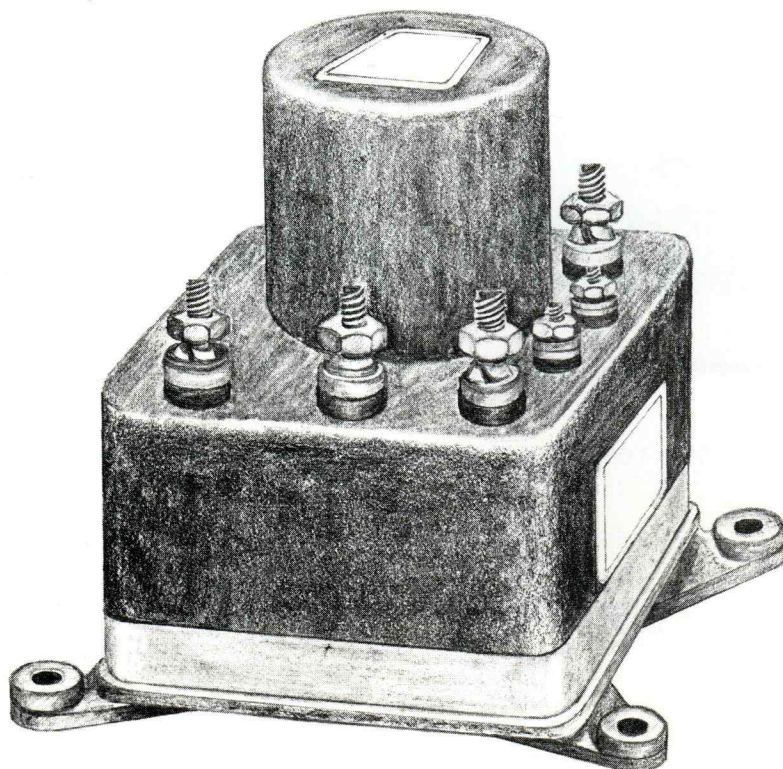
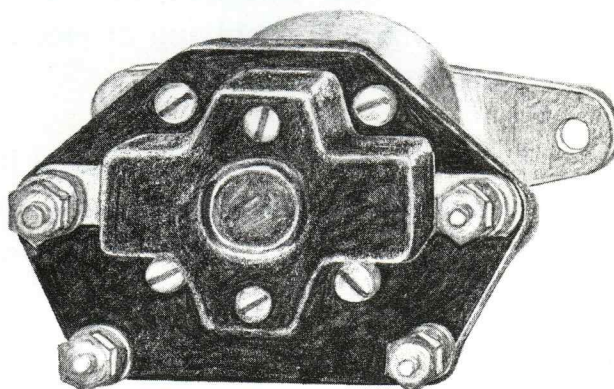
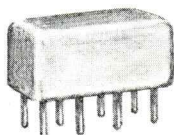
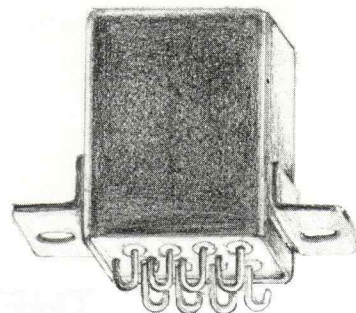
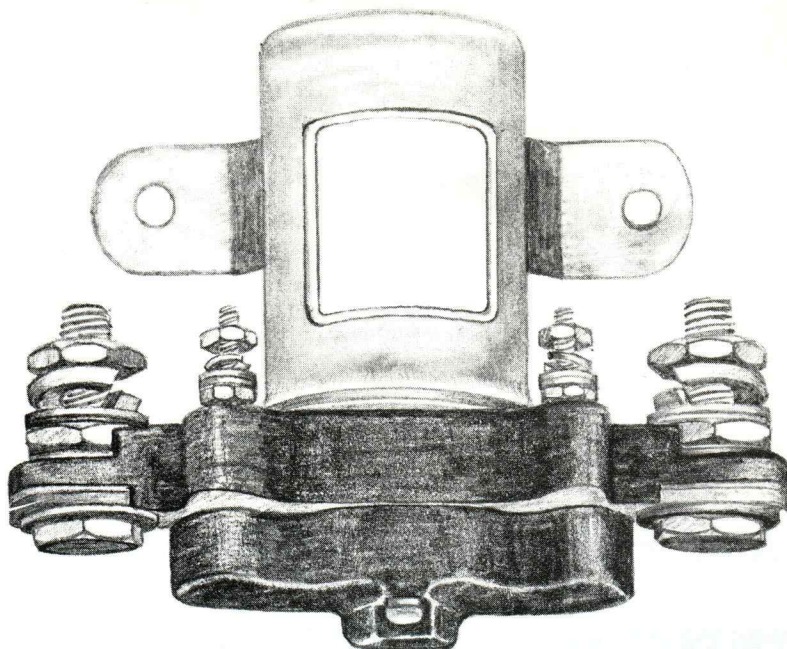
Today, Flame Enterprise specializes in stocking a wide selection of electromechanical devices, particularly:

CIRCUIT BREAKERS  
SWITCHES  
RELAYS  
LAMPS  
LAMP HOLDERS  
POWER CONNECTORS.

We are your electromechanical specialists!

We endeavor to provide responsive service at competitive prices.

# RELAYS



---

## MANUFACTURERS

---

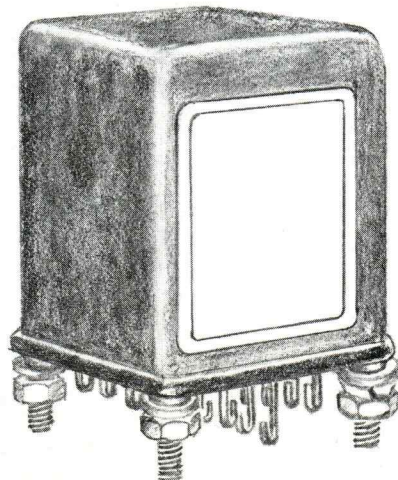
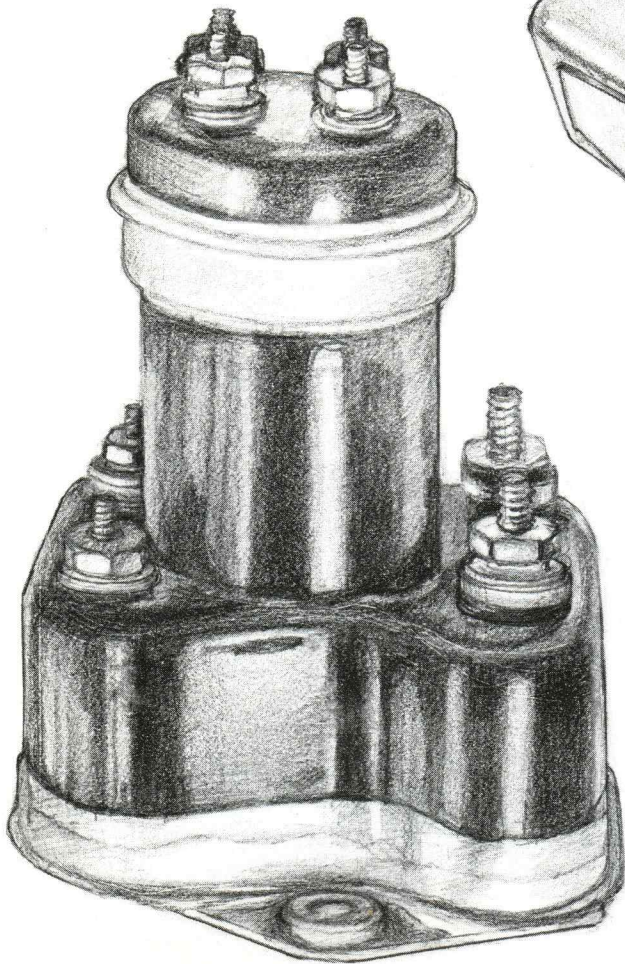
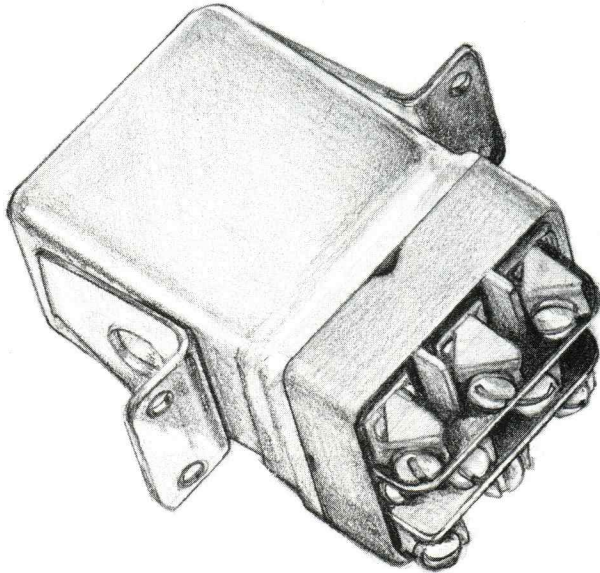
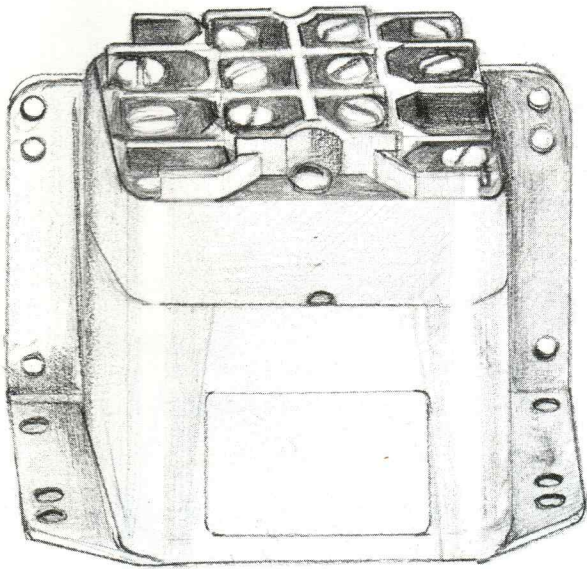
LEACH  
DEUTSCH  
HARTMAN  
ALLIED  
CUTLER-HAMMER  
STRUTHERS-DUNN  
BABCOCK  
GUARDIAN  
HI-G  
G-E  
TELEDYNE  
PRICE  
POTTER BRUMFIELD

---

MIL. TYPES  
AN-MS-M-C

---

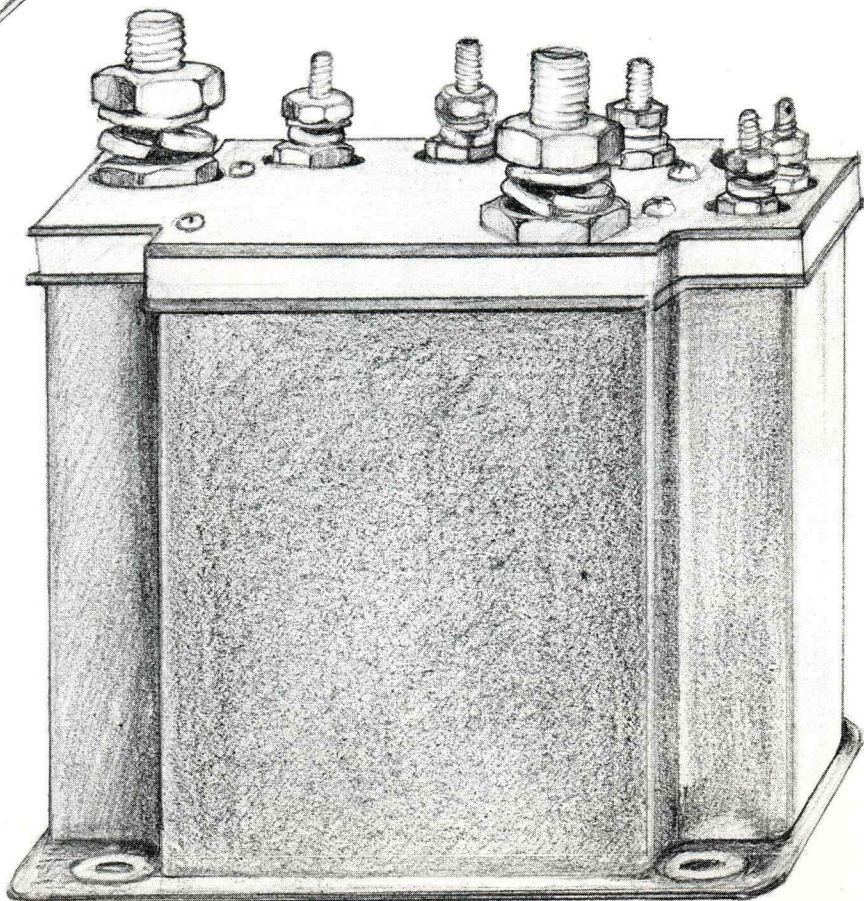
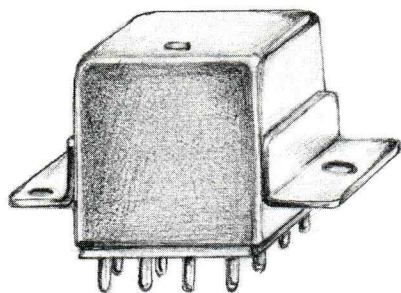
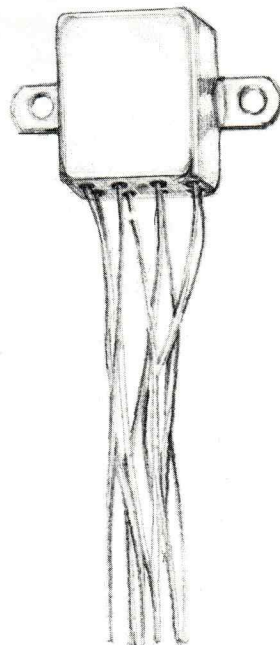
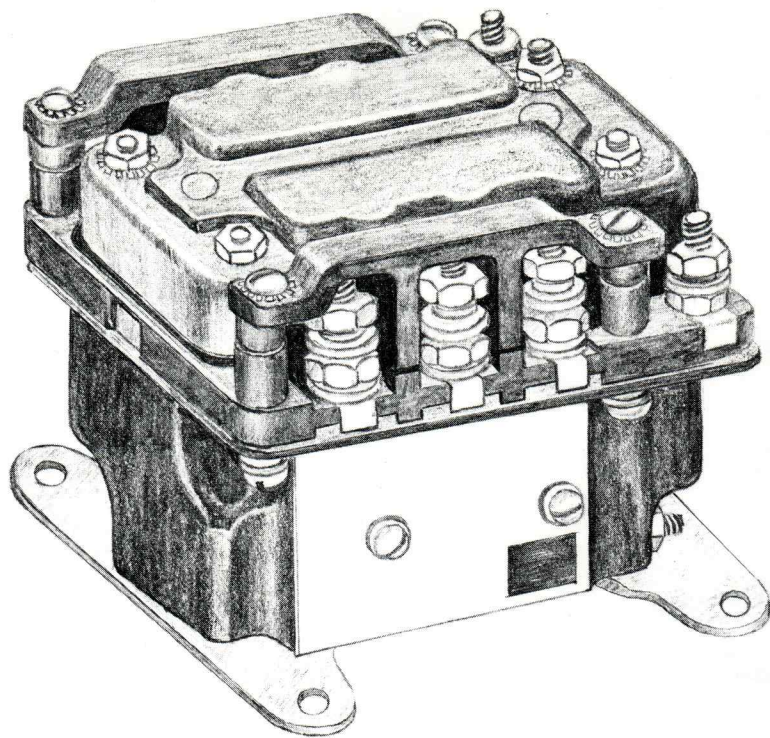
UNSEALED  
SEALED  
HERMETIC  
LATCHING  
MULTI-POLE  
MIL.-R-6106  
MIL.-R-5757  
MIL.-R-39016

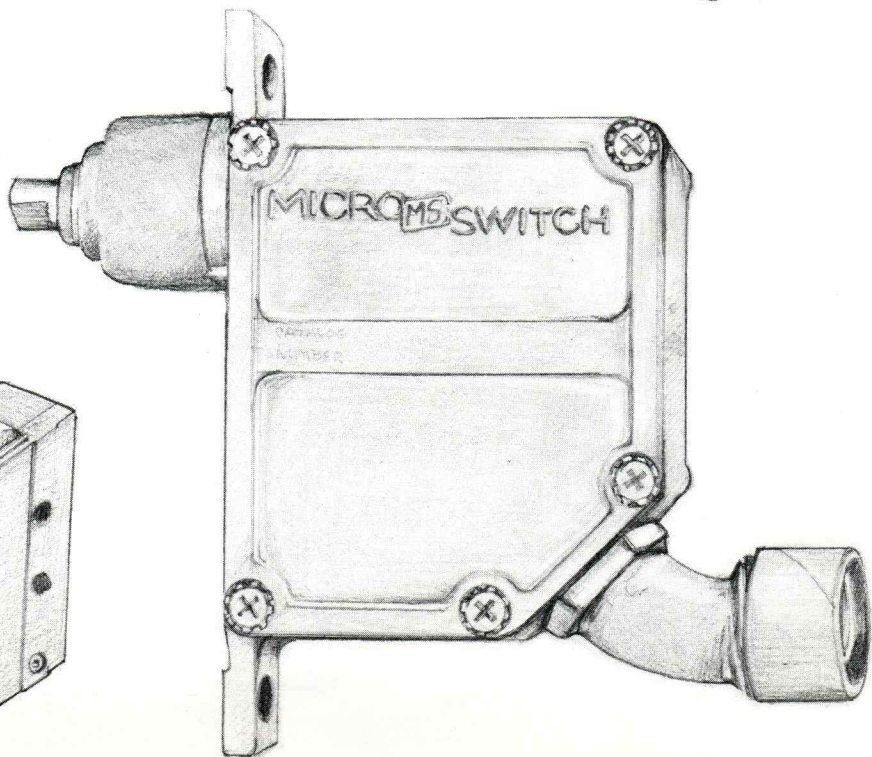
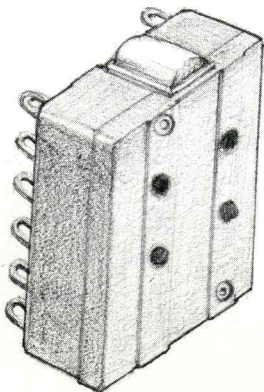
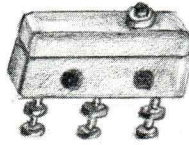
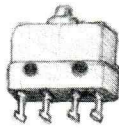
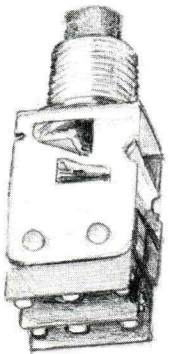
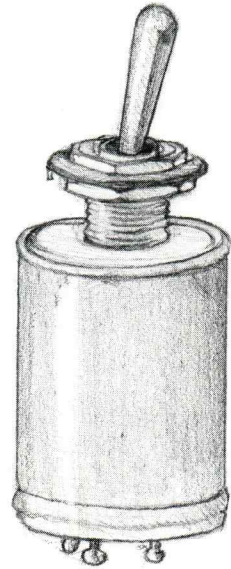
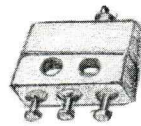
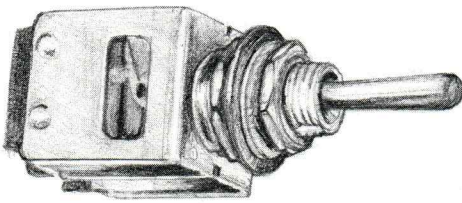
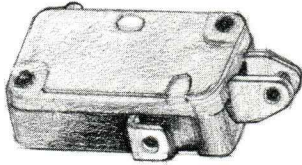
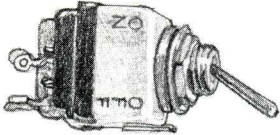
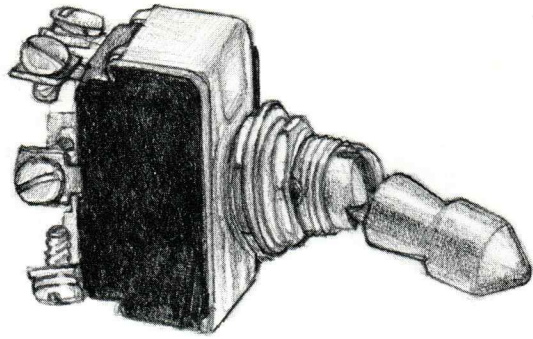
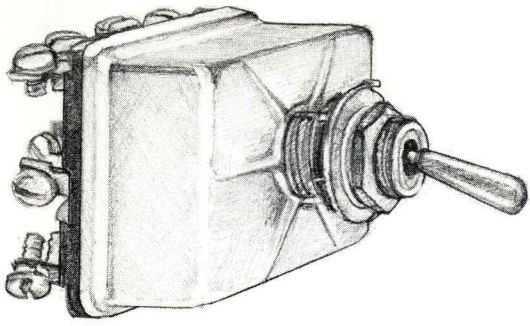


RELAYS

# RELAYS

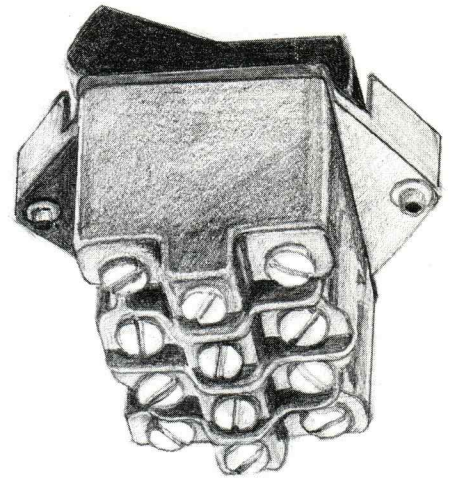
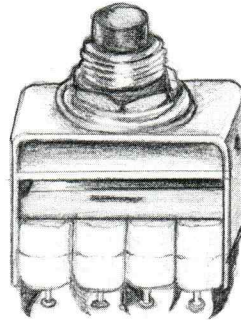
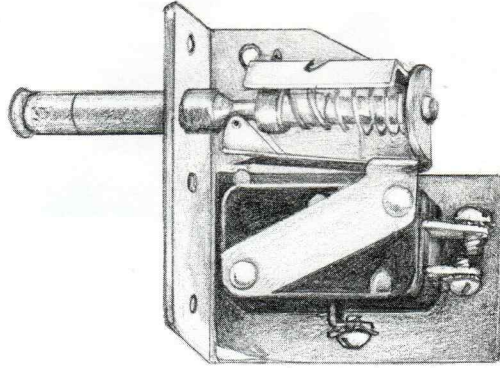
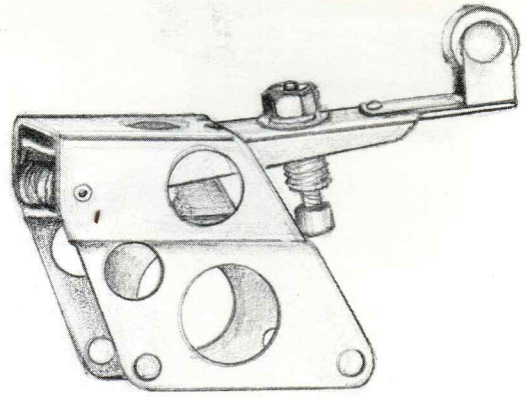
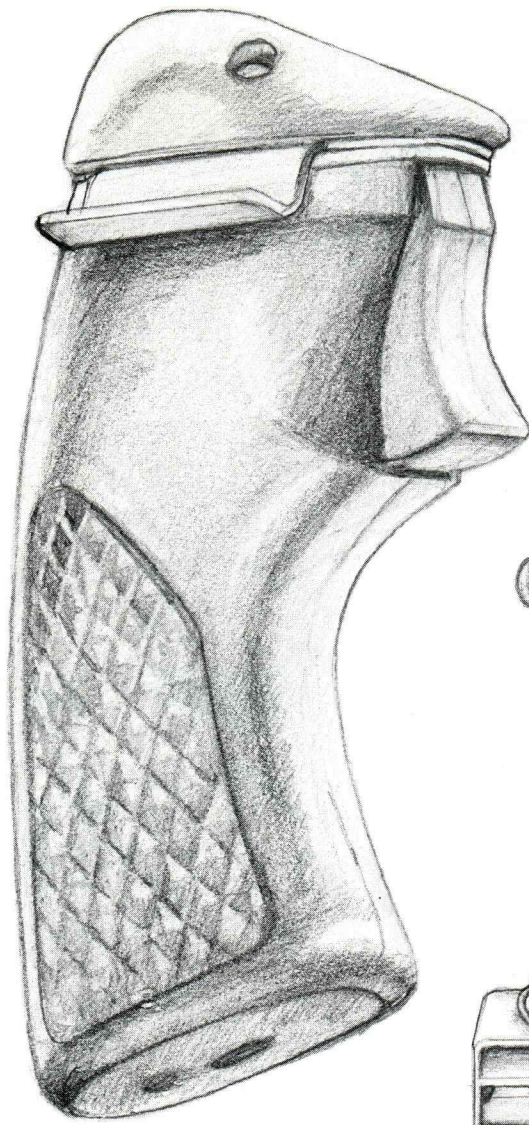
(CONT.)





# SWITCHES

# SWITCHES

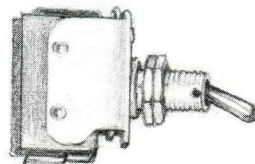
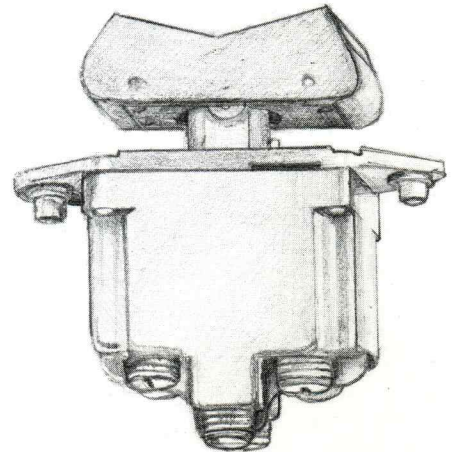


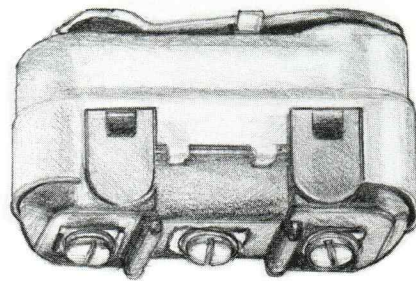
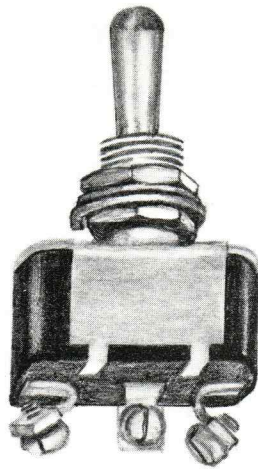
---

MIL. TYPES  
ST-AN-MS-M

---

TOGGLES  
LEVERLOCKS  
MINIATURES  
SUBMINIATURES  
HERMETICS  
PUSH BUTTONS  
SENSITIVE  
ACTUATORS

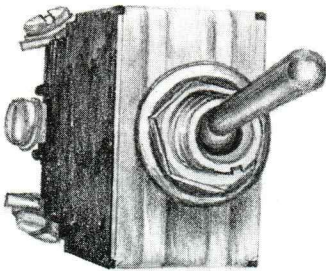




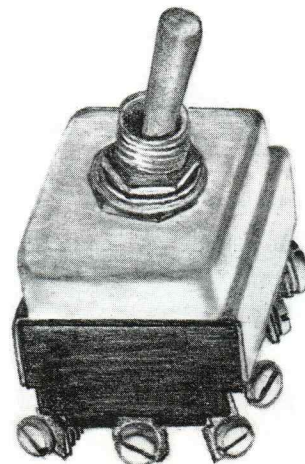
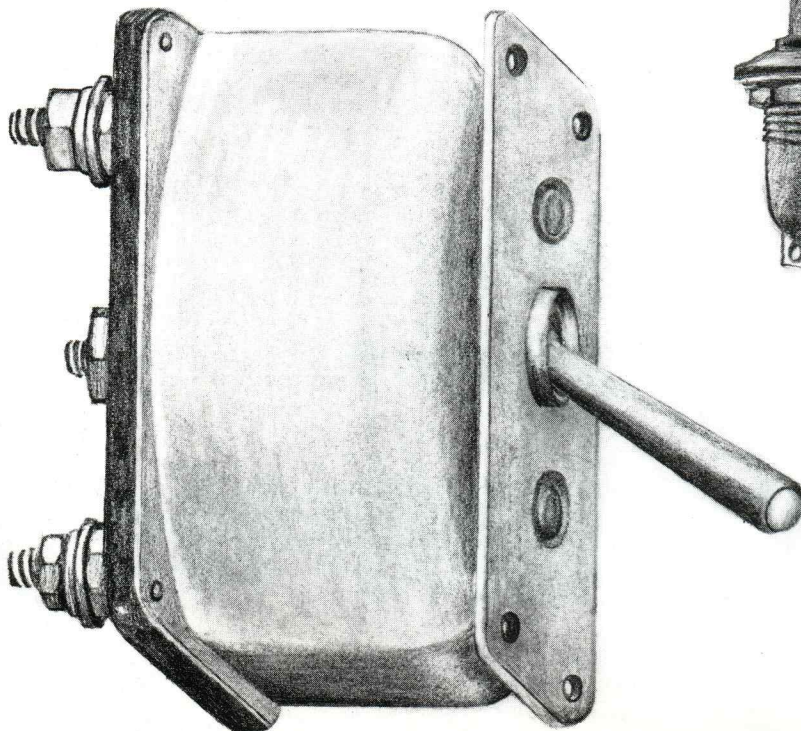
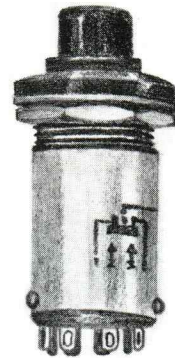
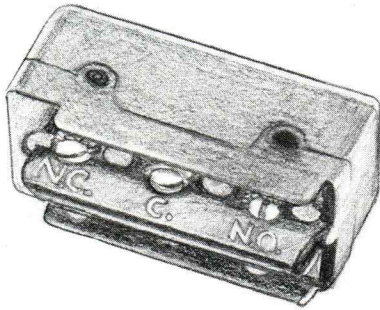
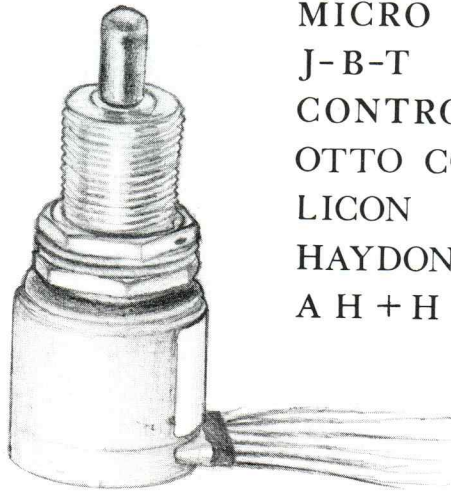
---

MANUFACTURERS

---



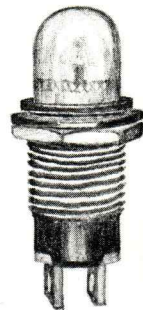
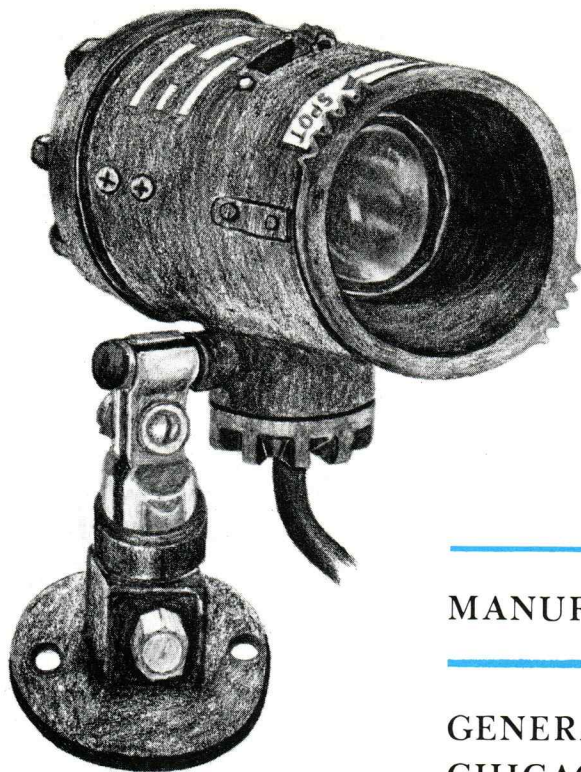
CUTLER-HAMMER  
MICRO SWITCH  
J-B-T  
CONTROL SWITCH  
OTTO CONTROLS  
LICON  
HAYDON  
A H + H



S  
W  
I  
T  
C  
H  
E  
S



L  
A  
M  
P  
S  
&  
L  
A  
M  
P  
H  
O  
L  
D  
E  
R  
S

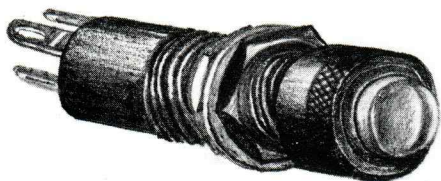
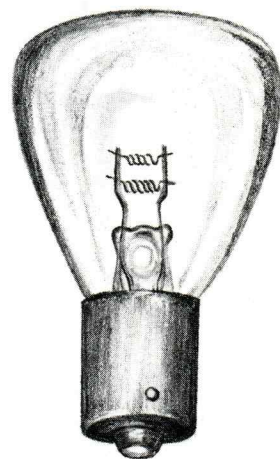


---

MANUFACTURERS

---

GENERAL ELECTRIC  
CHICAGO MINIATURE  
HUDSON  
MARCO OAK  
KORRY  
DIALCO

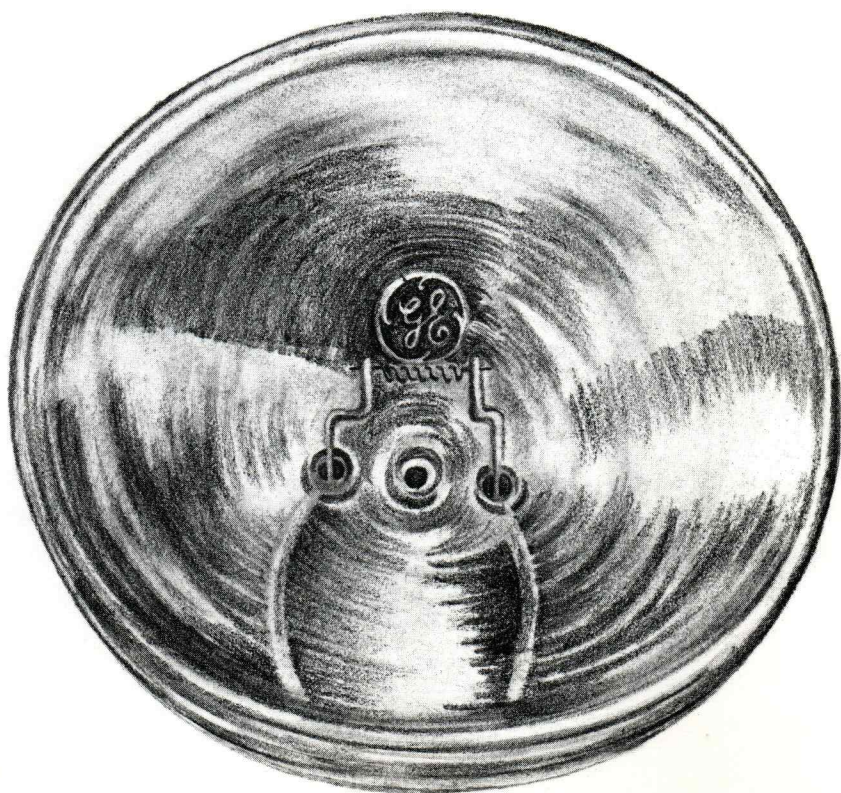


---

MIL. TYPES  
AN-MS-M-LC-LH

---

FLOURESCENT  
INCANDESCENT  
PRESS-TO-TEST  
INDICATOR  
COCKPIT  
LANDING SEALED BEAMS

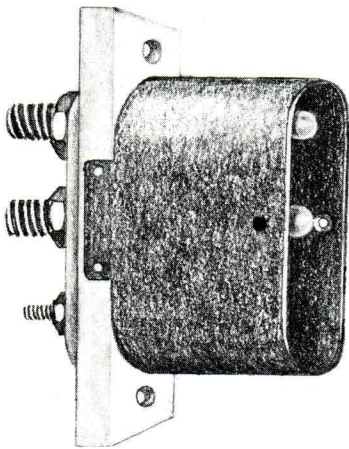
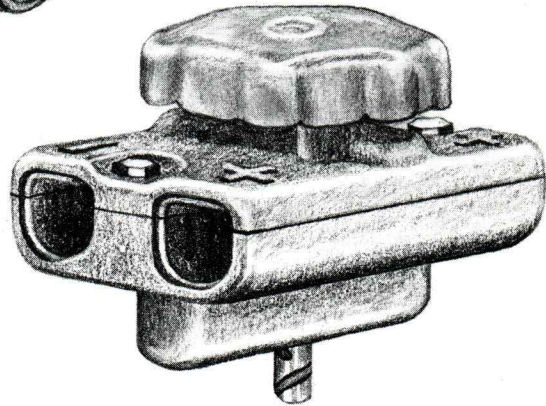
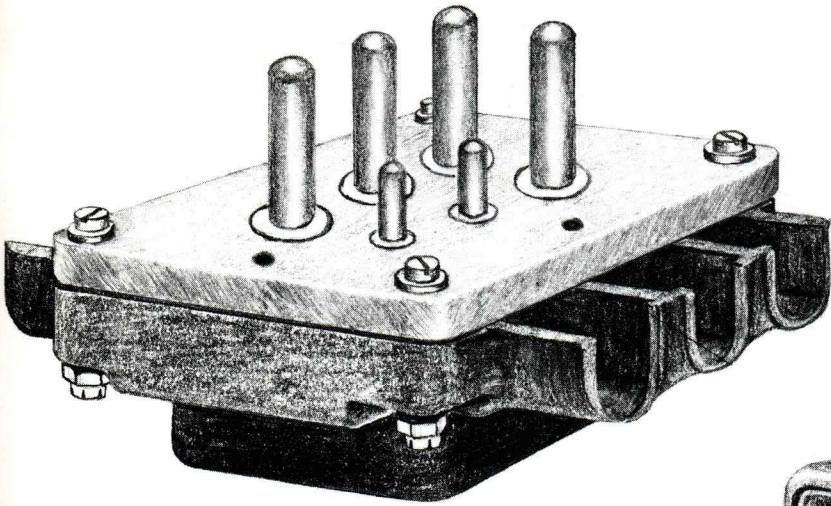
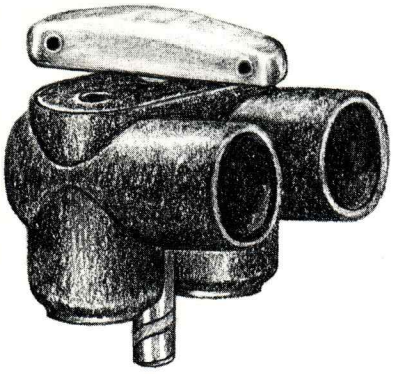


---

MANUFACTURERS

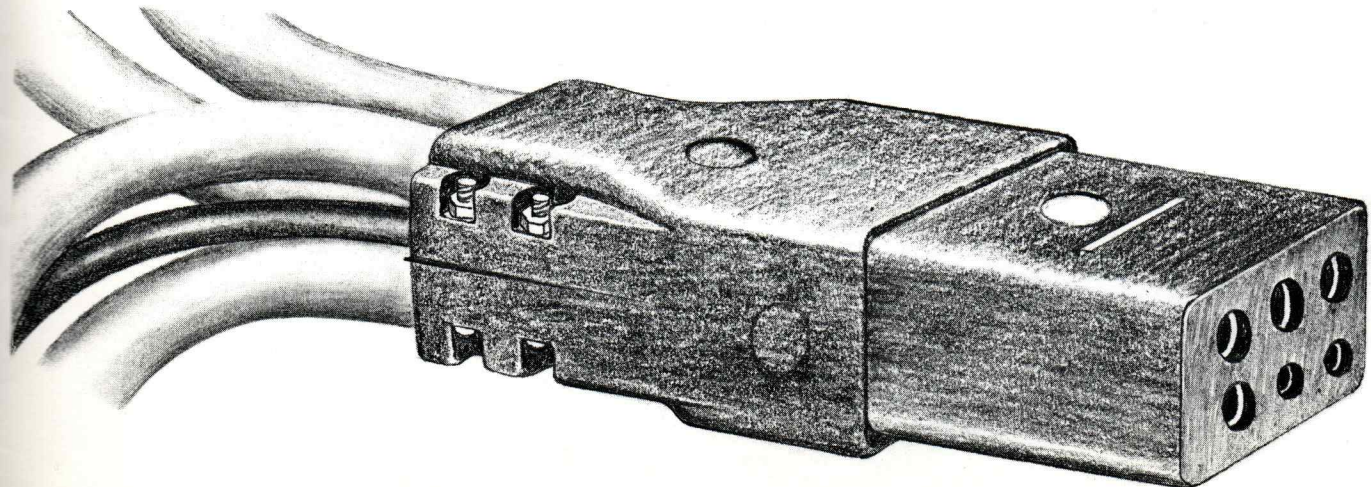
---

ANDERSON  
BURTON  
ELCON  
JOY

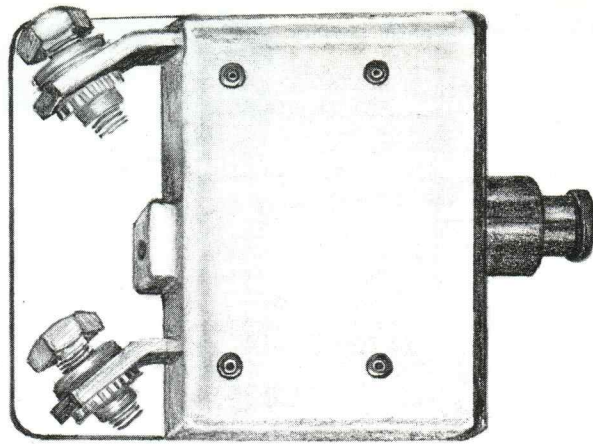


STARTING CABLES  
BATTERY CONNECTORS  
GROUND POWER PLUGS  
CABLE SAVERS

POWER  
CONNECTORS



# CIRCUIT BREAKERS

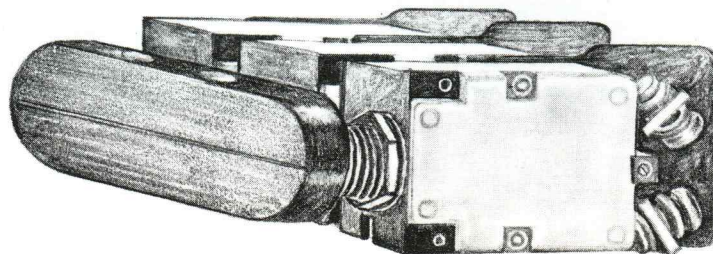
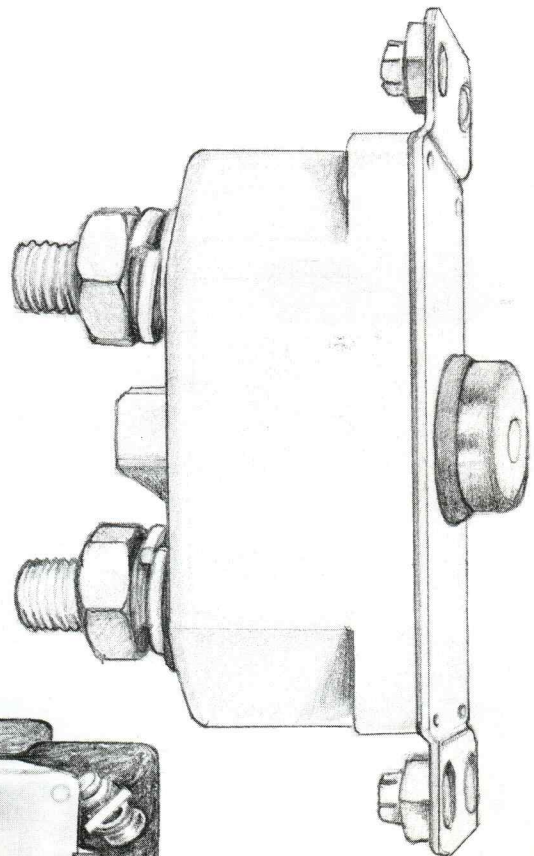
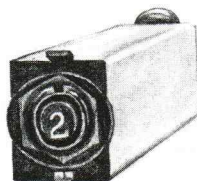
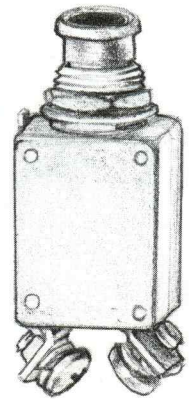
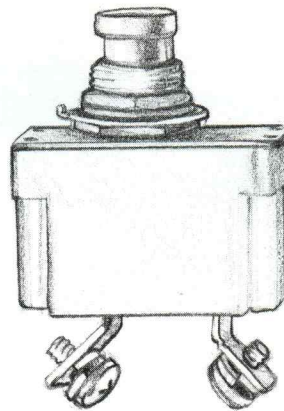
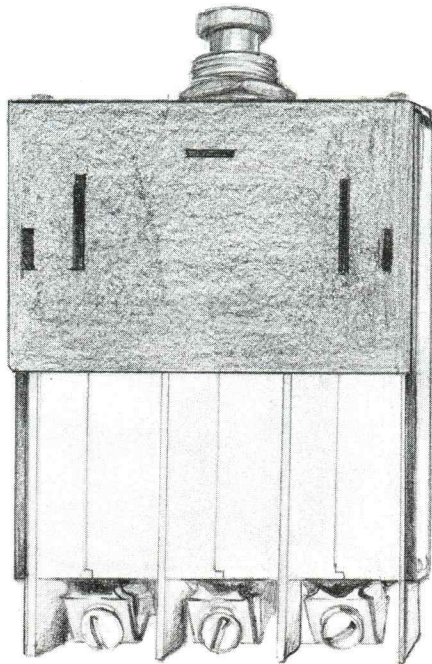


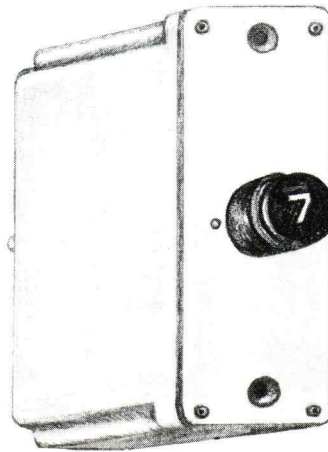
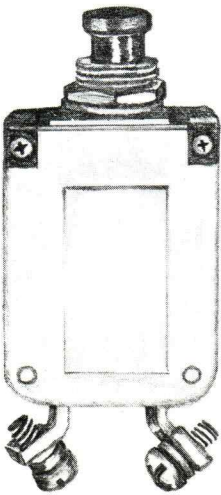
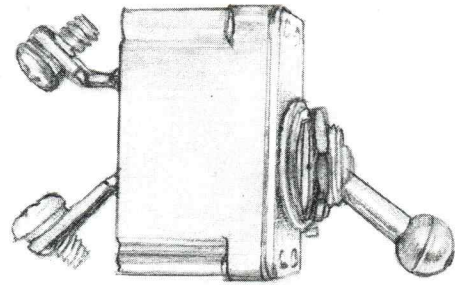
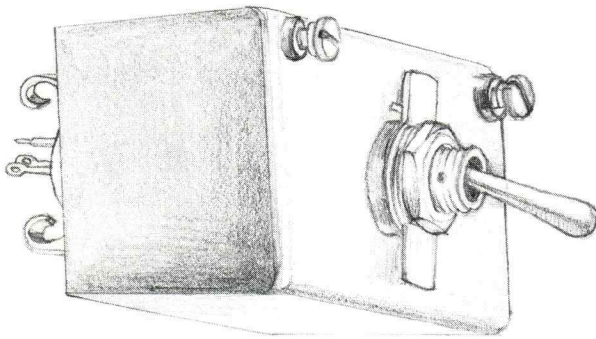
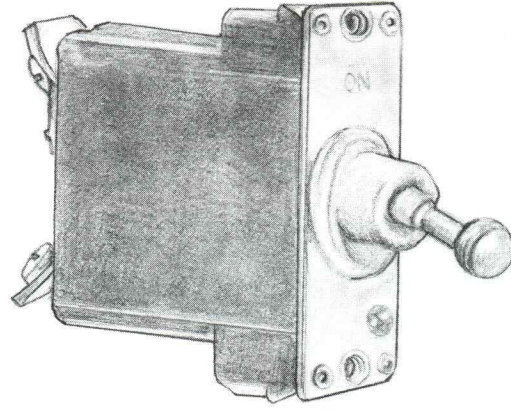
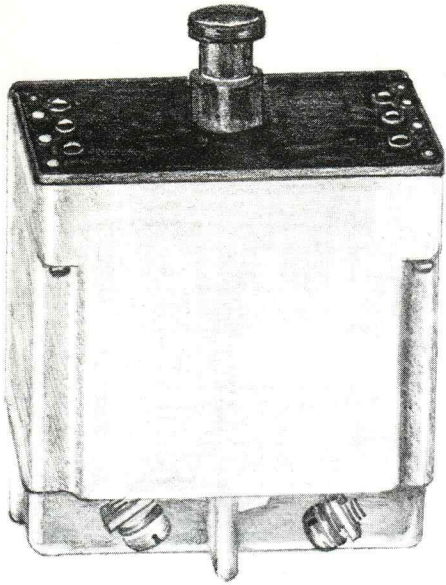
---

## MANUFACTURERS

---

WOOD ELECTRIC  
MECHANICAL PRODUCTS  
BRILES  
CUTLER-HAMMER  
SQUARE D  
KLIXON  
AIRPAX  
HEINEMANN





---

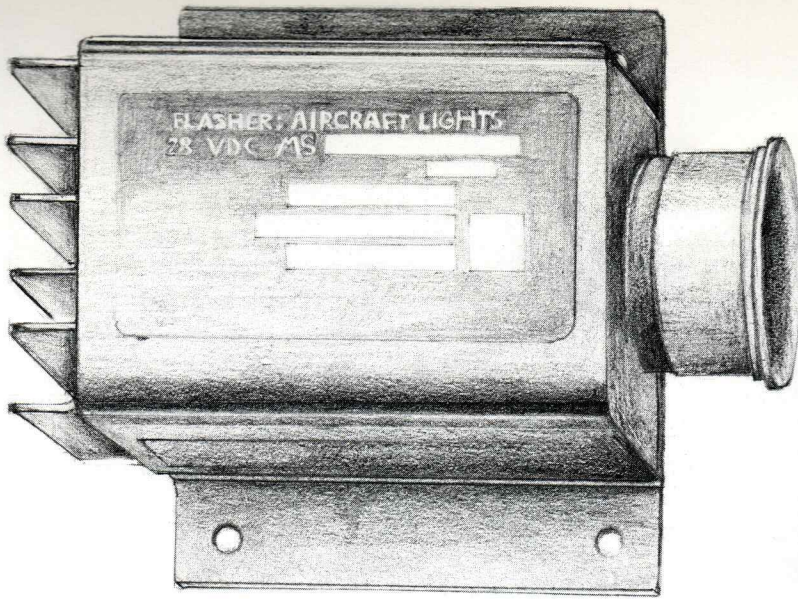
MIL. TYPES  
AN MS-M SERIES

---

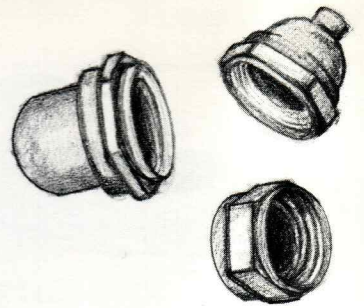
TOGGLE  
PUSH BUTTON  
SINGLE PHASE  
MULTI-PHASE  
TRIP FREE  
NON-TRIP FREE  
MINIATURES  
SUB-MINIATURES

# CIRCUIT BREAKERS

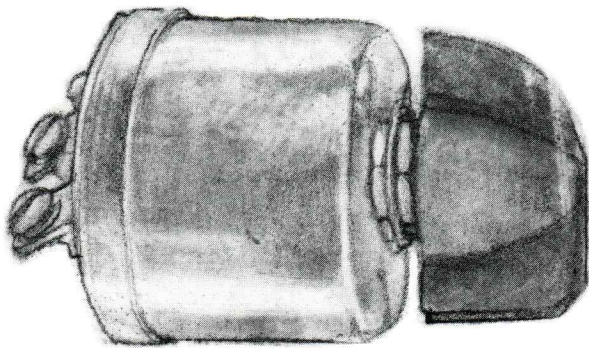
MISCELLANEOUS



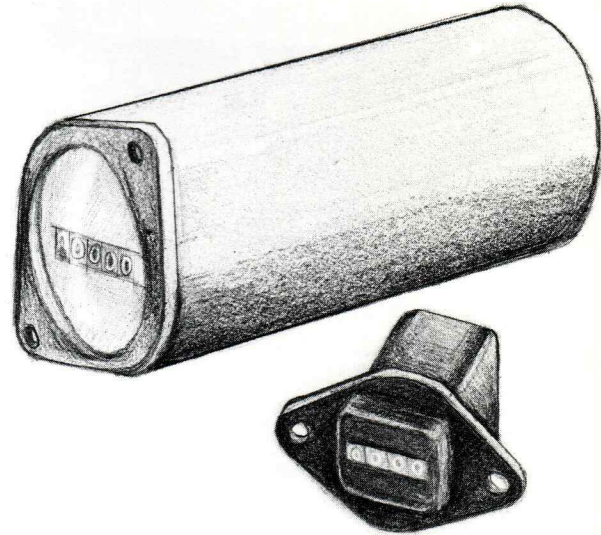
FLASHERS  
GRIMES  
SEABOARD



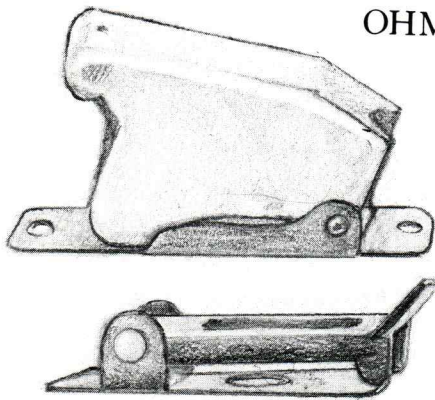
SEALS AND BOOTS-  
APM HEXSEAL  
MULTI-FLEX



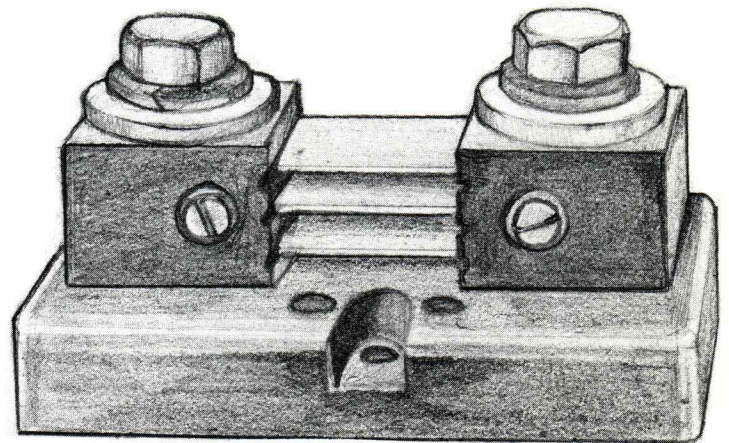
AN RHEOSTATS  
CLAROSTAT  
OHMITE



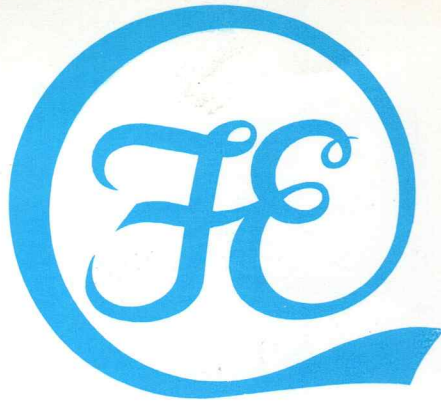
ELAPSED TIME METERS-  
GENERAL TIME  
A.W. HAYDON



SWITCH GUARDS-  
CUTLER-HAMMER  
GRIMES



SHUNTS-  
ESCO  
JANCO



**YOUR ONE~STOP SOURCE  
FOR ALL  
YOUR ELECTRICAL NEEDS**

- **CIRCUIT BREAKERS**
- **RELAYS**
- **LAMPS**
- **LAMP HOLDERS**
- **SWITCHES**
- **POWER CONNECTORS**

ART & DESIGN: JANE E. THORPE  
ANNE RUMBERGER