

LED INDICATOR TRI-COLOR REAR-MOUNT



Model ML1631

Developed for use as a status indicator, the ML1631 was designed to survive in the most severe environments. The small size and rugged package make it ideal for applications where status indication is critical to the operation of your equipment. The environmentally sealed case includes an O-ring panel seal that insures the integrity of your system. The ML1631 comes complete with fluorosilicone O-ring and mounting hardware.



FEATURES

- Multiple status indication within a single package
- Ideal for rugged environments
- Environmentally sealed
- Panel-mount seal
- Colors: red, green and blue
- Compact case design
- EMI screen
- Decorative bezel
- Wide viewing angle

MECHANICAL SPECIFICATIONS

Case: Aluminum Clear chromate

Mounting: Rear-mount by 5/16"-32 nut and lockwasher

O-Ring: Fluorosilicone rubber

ENVIRONMENTAL SPECIFICATIONS

Vibration: .06" D.A. or 20 Gs Peak, whichever is less, 10Hz to 2kHz, MIL STD 202, Method 204, Test Condition D

Shock: 100 Gs MIL STD 202, Method 213, Test Condition I

Moisture Resistance (Humidity): MIL STD 202, Method 106

Barometric Pressure (Reduced): 100,000 ft., MIL STD 202, Method 105, Test Condition D

Reliability: 3 x 10⁶ hours min. MTBF @ 25°C

Salt Atmosphere (Corrosion): MIL STD 202, Method 101, Test Condition B

ELECTRO-OPTICAL CHARACTERISTIC SPECIFICATIONS

Absolute Maximum Ratings @Temp = 25°C			
Color	Red	Green	Blue
Forward Voltage (VDC) typical @ 20 mA	1.9	3.3	3.3
DC Forward Current (mA) ①	30	25	30
Reverse Voltage (VDC) @ I _R = 100 μA	5	5	5
Power Dissipation (mW)	75	102	120
Luminous Intensity (mcd) typical @ I _F = 20 mA	60	125	85
Dominant Wave Length (nm) typical	630	525	465
Viewing Angle	130°		
Operating Temperature (°C)	-40 to +85		
Storage Temperature (°C)	-55 to +100		
Lead Soldering Temperature	260°C for 5 seconds		

Notes: ① Derate linearly from 25°C @ -0.4 mA/°C.

This page consists of basic marketing information that is not defined as technical data under EAR Part 772.

LED INDICATOR TRI-COLOR REAR-MOUNT



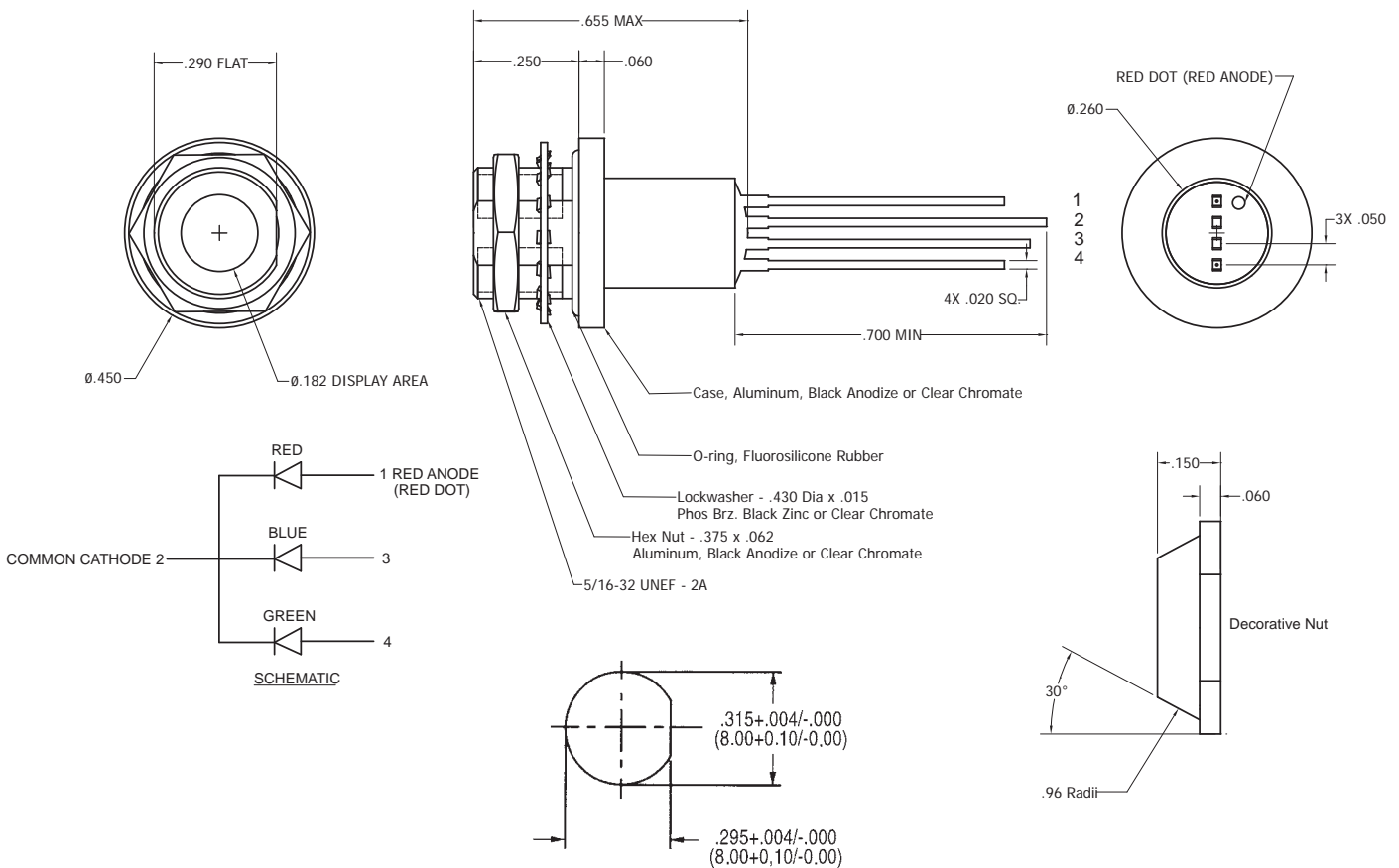
ORDERING INFORMATION

When ordering, show model number first, followed by EMI screen, then LED colors, lens style, and terminal style. If this part requires customization, a special factory assigned modification number will be added at the end of the ordering number. Consult the factory for special configurations.

Example: Basic model with an EMI screen, with a red/green/blue LED, a diffused lens, and straight leads would be ML1631E-RGB-D-ST.

ML1631E - RGB - D - ST

Basic Model Number	EMI Screen	LED Color	Lens Type	Terminal Style
ML1631	E Screen	RGB Red, Green, Blue	D Diffused	ST Straight Leads



Recommended Mounting Hole

ML1631

NOTE: Dimensions in () are mm. Tolerances: Decimals: $\pm .010$ (0.25)
 Fractions: $\pm 1/64$ Mounting Torque: 5-7 in. lbs.

This page consists of basic marketing information that is not defined as technical data under EAR Part 772.