

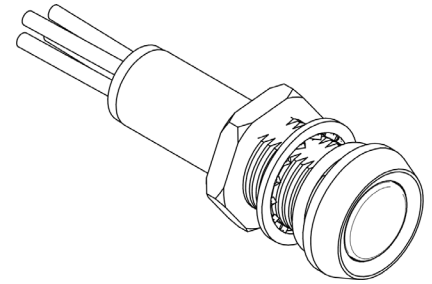


ML 5108 PANEL INDICATORS

FEATURES

- > Wide viewing angles
- > Multiple colors available
- > High Intensity Multi-Color RGB LED
- > LED colors individually addressable with 25 LED colors available from a single indicator
- > Sealed to IP67 Standard
- > Voltage options (*See chart*)
- > Industrial/external applications
- > Panel-suitable mounting
- > Internal reverse protection diode fitted in all models
- > Internal resistor
- > Internal potting for protection
- > Nitrile rubber panel seal

Customized versions available upon request.



The ML 5108 Panel Indicators are rugged durable LED indicators that are suitable for panel mounting. These indicators are IP67 sealed for external functionality and feature internal potting for vibration control and durability to withstand industrial applications. Indicators meet specific military specifications listed in data sheet. Individual indicators feature a multi-colored RGB LED producing a variety of color options. Indicators used in a variety of applications and voltages. Wires come in short and extended length applications. Refer to the product specifications for additional details.

PROPERTIES

Material

Housing	Nickel Plated Brass						
Hex Nut	Nickel Plated Brass						
Lock Washer	Zinc Plated Steel						
Terminal	4 Wire Termination Leads						
	<table border="1"> <thead> <tr> <th colspan="2">Wire Length (Inches)</th> </tr> </thead> <tbody> <tr> <td>WL</td> <td>6</td> </tr> <tr> <td>WX</td> <td>39</td> </tr> </tbody> </table>	Wire Length (Inches)		WL	6	WX	39
Wire Length (Inches)							
WL	6						
WX	39						
Mounting Hole	Ø 0.319						
Min. Panel Thickness	0.06						
Weight	6.7 grams						
Operational Temp.	-30°C to 85°C						
Storage Temp.	-40°C to 100°C						
White Diffused Lens							

ENVIRONMENTAL SPECIFICATIONS

Vibration	.06" D.A. or 20G peak, whichever is less, 10 Hz to 2 kHz, MIL-STD-202, Method 204, Test Condition D
Shock	100G'S MIL-STD-202, Method 213, Test Condition I
Moisture Resistance (Humidity)	MIL-STD-202, Method 106.
Barometric Pressure (Reduced)	100,000 ft. MIL-STD-202, Method 105, Test Condition D
Salt Atmosphere	MIL-STD-202, Method 101, Test Condition B

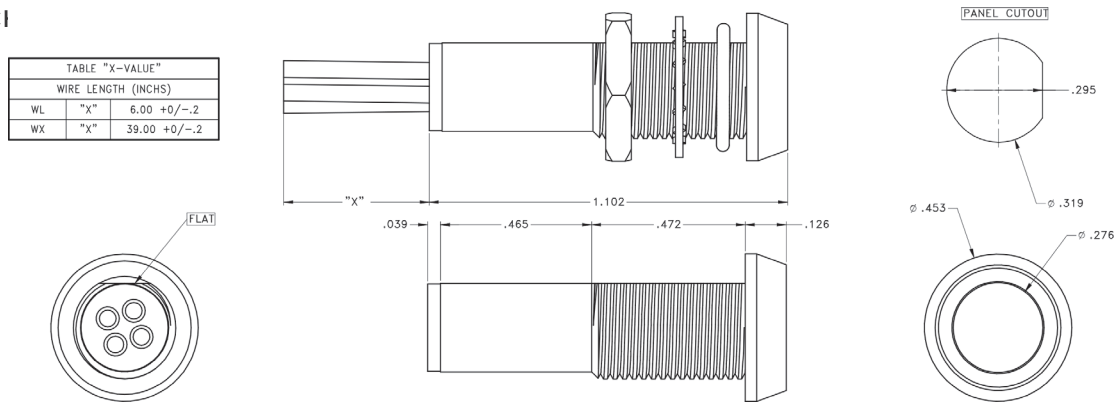
ELECTRO-OPTICAL SPECIFICATIONS

CHARACTERISTICS		ML5108-M-D-()-()			
	Voltage (Vdc) Typical	Typical R/G/B	Red	Green	Blue
Typical Luminous Intensity (mcd)	12	16/20/7	550	1100	240
	24/28	8/10/3.5	550	1100	240
	48	5.5/6.5/2.5	550	1100	240
Typical Wavelength (λp)	(12 – 48)	(2.5 – 20)	635	523	460
Max. Power Dissipation	825 mW				
Polarity	White		+Ve		
	Green		-Ve		
	Red		-Ve		
	Blue		-Ve		

ELECTRICAL SPECIFICATIONS

Voltage (Vdc)
12
24 – 28
48

DIMENSIONS (INCH)



ML 5108 ORDERING INFORMATION

FAMILY SERIES – COLOR – DIFFUSED – WIRE LENGTH – VOLTAGE ML5108-M-D-()-()		
Model No.	Color	Voltage
ML5108-M-D-WL-12	Multi-Color	12
ML5108-M-D-WX-12	Multi-Color	12
ML5108-M-D-WL-24/28	Multi-Color	24/28
ML5108-M-D-WX-24/28	Multi-Color	24/28
ML5108-M-D-WL-48	Multi-Color	48
ML5108-M-D-WX-48	Multi-Color	48

LABELING INFORMATION	
Laser etch case	ML5108
Laser etch date code	YYWW
Label ESD BAG:	Example:
Cage code	10236
Model number	ML5108-M-D-WL-12
Date code (YYWW)	2032

ML 5108 Panel Indicators

© 2021 L3Harris Technologies, Inc. | 07/2021

Refer to your Trade Compliance Lead or Empowered Official for exact disclaimer language.

L3Harris Technologies is an agile global aerospace and defense technology innovator, delivering end-to-end solutions that meet customers' mission-critical needs. The company provides advanced defense and commercial technologies across air, land, sea, space and cyber domains.



L3HARRIS™
FAST. FORWARD.

1025 W. NASA Boulevard
Melbourne, FL 32919
t 513 943 2000 | f 513 943 2050
info@L3Harris.com