



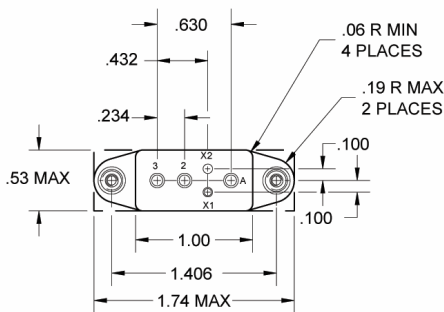
Basic socket series designation for:

Series JS, JC	SO-1063-9033
Series JSA, JCA	SO-1063-9034

NOT qualified but designed to the standards and requirements of:

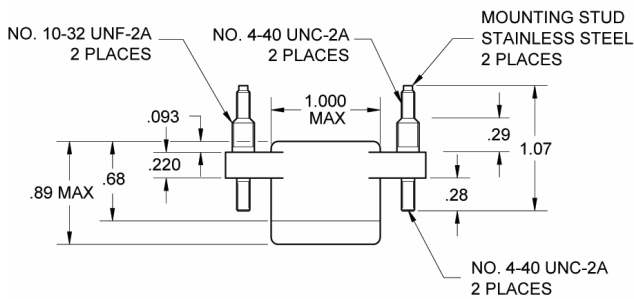
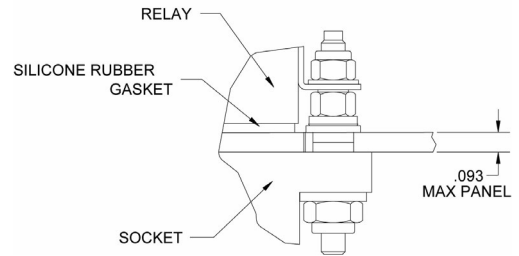
MIL-S-12883

SOCKET DRAWING

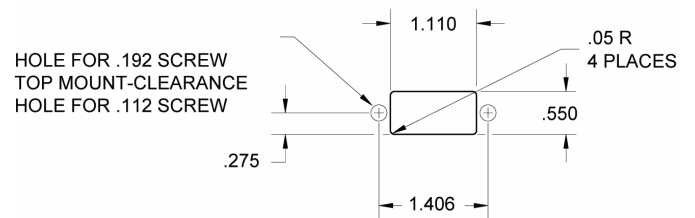


HARDWARE MOUNTING

MOUNTING DETAIL
2 PLACES



MOUNTING DIMENSIONS



GENERAL CHARACTERISTICS

1. Supplied with mounting hardware and No. 12 contacts and crimp for power terminals; No. 16 contacts and crimp for coil terminals.	
2. Standard tolerances	.xx ± .01; xxx ± .005
3. Shape optional	
4. Weight	.056 lbs. max
5. Temperature range	-70° C to +125° C